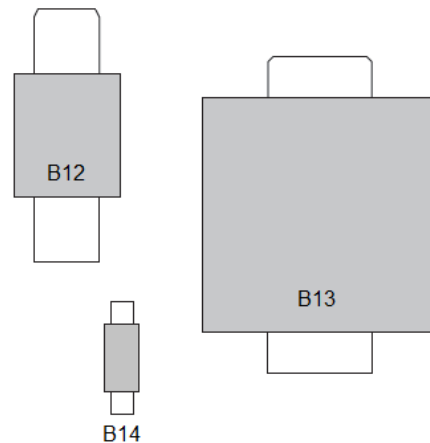


Features

- Low Leakage Current
- Low Insertion Loss
- Excellent Long Term Stability

Description

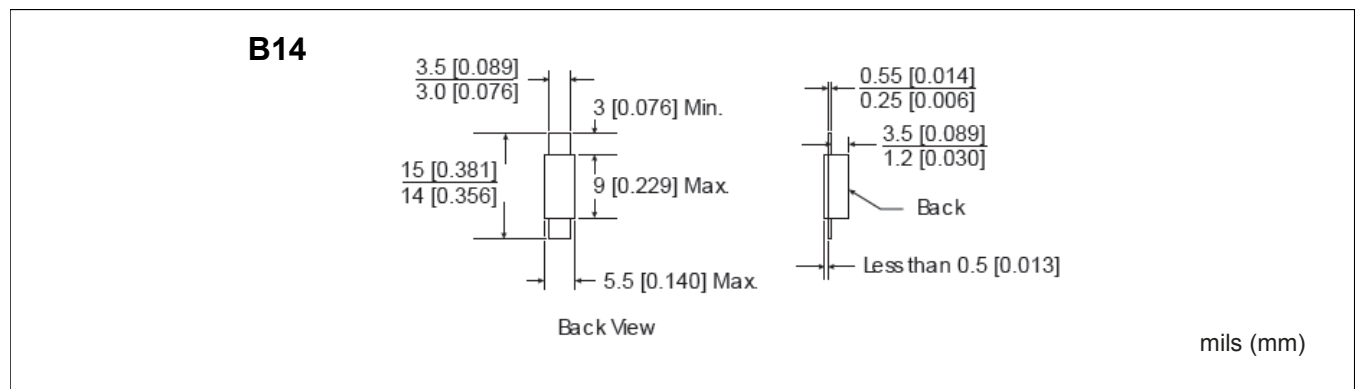
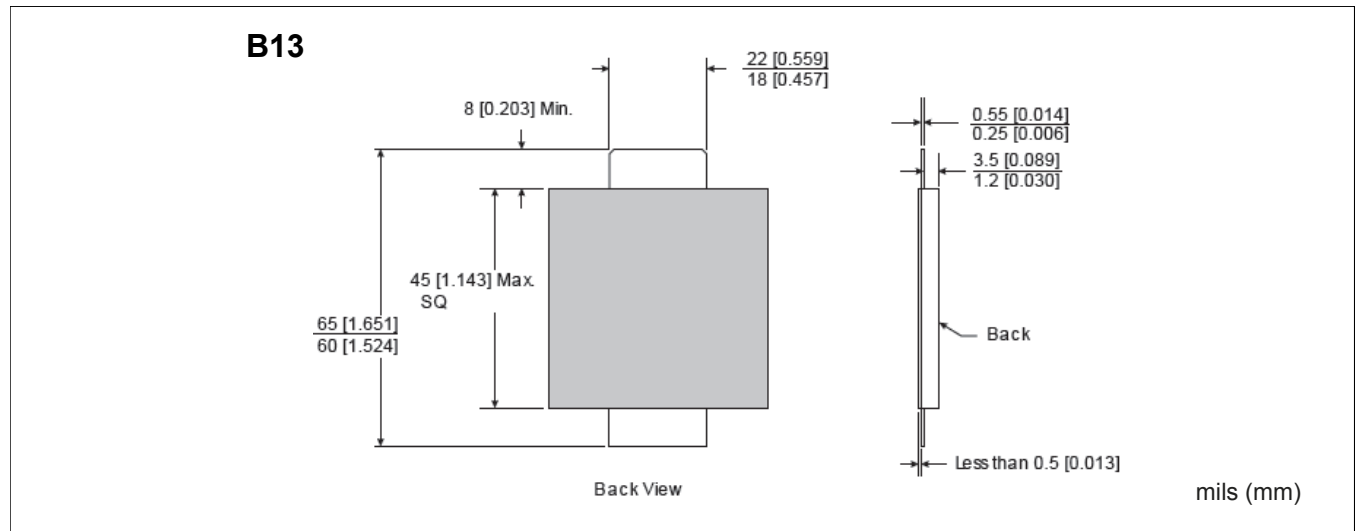
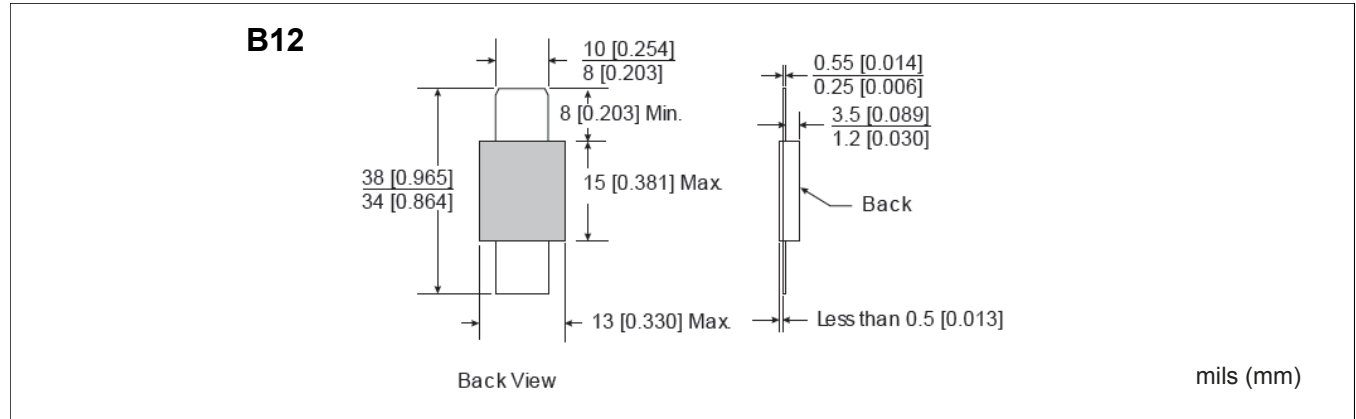
The MBC50-x Series capacitors utilize a silicon nitride dielectric over a thermally grown silicon dioxide base. The resultant composite dielectric exhibits low leakage current and insertion loss with excellent long-term stability. The temperature coefficient of capacitance is typically +55 ppm / °C.



Electrical Specifications: $T_A = +25^\circ\text{C}$

Part #	Total Capacitance (C_T)	Voltage (DWV)	Reverse Current (I_R)	Temperature Coefficient (T_{CC})	Package
	pF	V	mΩ	ppm / °C	
	±20% Typ.	Min.	Min.	Typ.	
MBC50-1B12	1	50	1000	+55	B12
MBC50-2B12	2	50	1000	+55	B12
MBC50-3B12	3	50	1000	+55	B12
MBC50-4B12	4	50	1000	+55	B12
MBC50-6B12	6	50	1000	+55	B12
MBC50-8B12	8	50	1000	+55	B12
MBC50-10B12	10	50	1000	+55	B12
MBC50-15B12	15	50	1000	+55	B12
MBC50-20B12	20	50	1000	+55	B12
MBC50-33B13	33	50	1000	+55	B13
MBC50-47B13	47	50	1000	+55	B13
MBC50-68B13	68	50	1000	+55	B13
MBC50-82B13	82	50	1000	+55	B13
MBC50-100B13	100	50	1000	+55	B13
MBC50-0.2B14	0.2	50	1000	+55	B14
MBC50-1.0B14	1.0	50	1000	+55	B14
MBC50-1.5B14	1.5	50	1000	+55	B14
MBC50-2.0B14	2.0	50	1000	+55	B14
Test Conditions	1 MHz		25 V	-55°C - +200°C	

Outline Packages



MACOM Technology Solutions Inc. All rights reserved.

Information in this document is provided in connection with MACOM Technology Solutions Inc ("MACOM") products. These materials are provided by MACOM as a service to its customers and may be used for informational purposes only. Except as provided in MACOM's Terms and Conditions of Sale for such products or in any separate agreement related to this document, MACOM assumes no liability whatsoever. MACOM assumes no responsibility for errors or omissions in these materials. MACOM may make changes to specifications and product descriptions at any time, without notice. MACOM makes no commitment to update the information and shall have no responsibility whatsoever for conflicts or incompatibilities arising from future changes to its specifications and product descriptions. No license, express or implied, by estoppel or otherwise, to any intellectual property rights is granted by this document.

THESE MATERIALS ARE PROVIDED "AS IS" WITHOUT WARRANTY OF ANY KIND, EITHER EXPRESS OR IMPLIED, RELATING TO SALE AND/OR USE OF MACOM PRODUCTS INCLUDING LIABILITY OR WARRANTIES RELATING TO FITNESS FOR A PARTICULAR PURPOSE, CONSEQUENTIAL OR INCIDENTAL DAMAGES, MERCHANTABILITY, OR INFRINGEMENT OF ANY PATENT, COPYRIGHT OR OTHER INTELLECTUAL PROPERTY RIGHT. MACOM FURTHER DOES NOT WARRANT THE ACCURACY OR COMPLETENESS OF THE INFORMATION, TEXT, GRAPHICS OR OTHER ITEMS CONTAINED WITHIN THESE MATERIALS. MACOM SHALL NOT BE LIABLE FOR ANY SPECIAL, INDIRECT, INCIDENTAL, OR CONSEQUENTIAL DAMAGES, INCLUDING WITHOUT LIMITATION, LOST REVENUES OR LOST PROFITS, WHICH MAY RESULT FROM THE USE OF THESE MATERIALS.

MACOM products are not intended for use in medical, lifesaving or life sustaining applications. MACOM customers using or selling MACOM products for use in such applications do so at their own risk and agree to fully indemnify MACOM for any damages resulting from such improper use or sale.