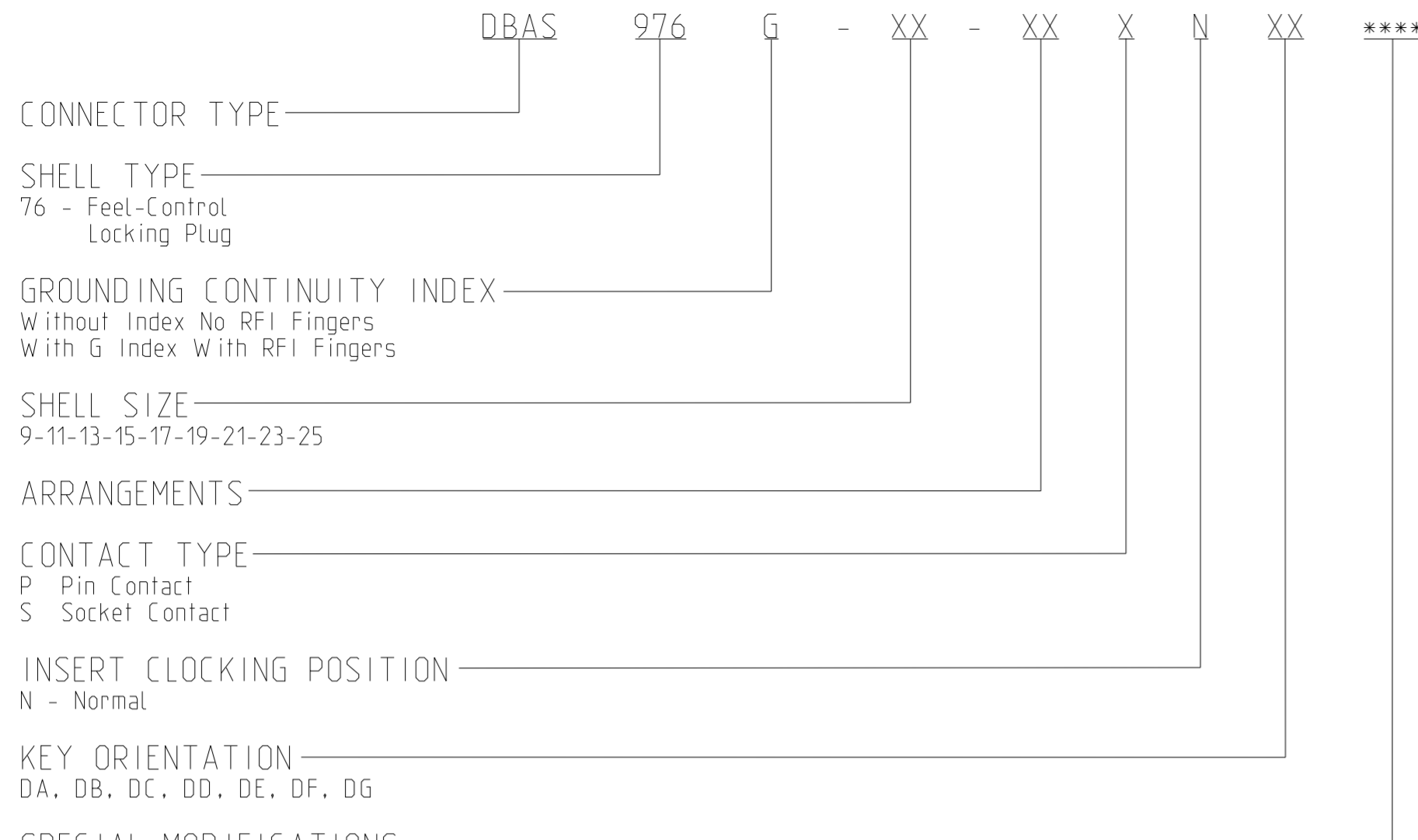


THIS DRAWING IS A CONTROLLED DOCUMENT

DWG NO  
DBAS-976-XX

USED ON

DBAS 976-FEEL-CONTROL LOCKING PLUG / WITH STRAIGHT CABLE CLAMP



CONNECTOR TYPE

SHELL TYPE

76 - Feel-Control Locking Plug

GROUNDING CONTINUITY INDEX

Without Index No RFI Fingers  
With G Index With RFI Fingers

SHELL SIZE

9-11-13-15-17-19-21-23-25

ARRANGEMENTS

CONTACT TYPE

P Pin Contact  
S Socket Contact

INSERT CLOCKING POSITION

N - Normal

KEY ORIENTATION

DA, DB, DC, DD, DE, DF, DG

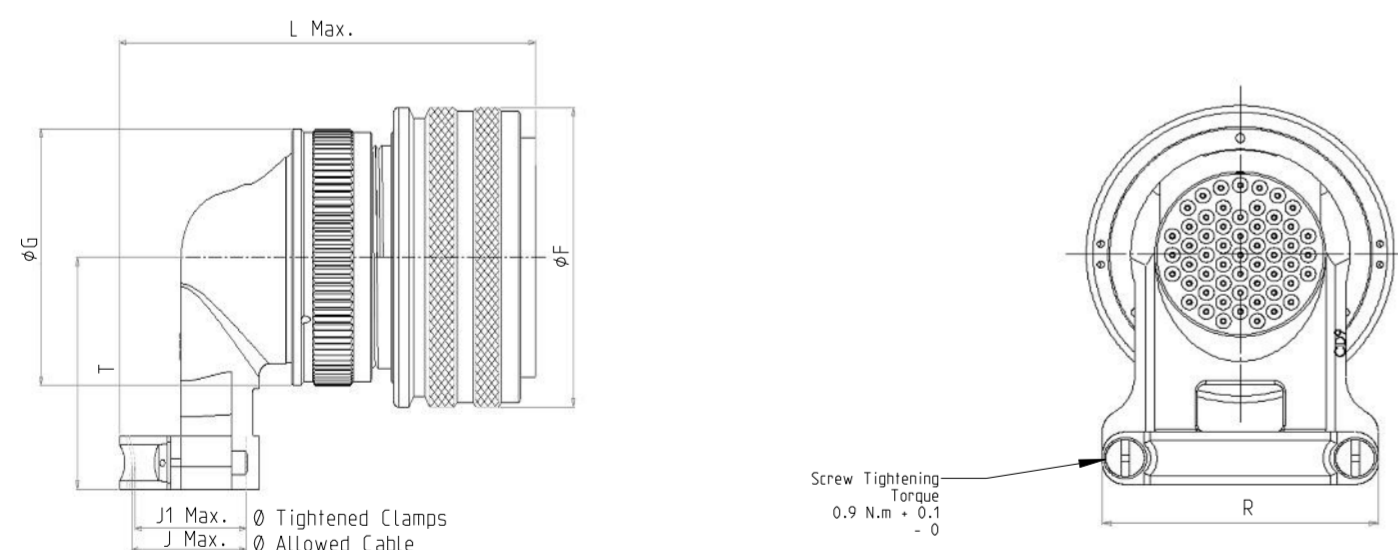
SPECIAL MODIFICATIONS

- 1A Without nut
- 059 Straight cable clamp
- 081 Elbowed cable clamp
- 090 Without contact
- 395 Kerosene-resistant insert
- A083 Potting cup
- A838 Olive drab cadmium
- \*\*\*\*\* For other modifications, consult TE.

CHARACTERISTICS

1. Shell Material : Aluminium alloy, Nickel plated.
2. RFI ring Material : Beryllium Copper, Nickel plated.
3. Insert Material : Thermoplastic and Fluorinated silicone
4. Contact : Crimp Type, Gold over Nickel plated.
5. Service Temperature : -55°C to +200°C

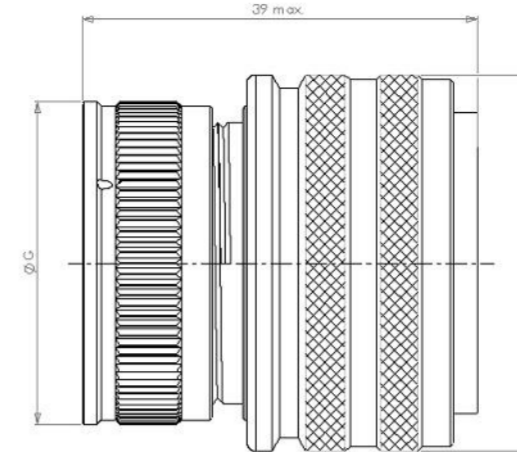
DBAS 976-WITH ELBOWED CABLE CLAMP (MOD 081)



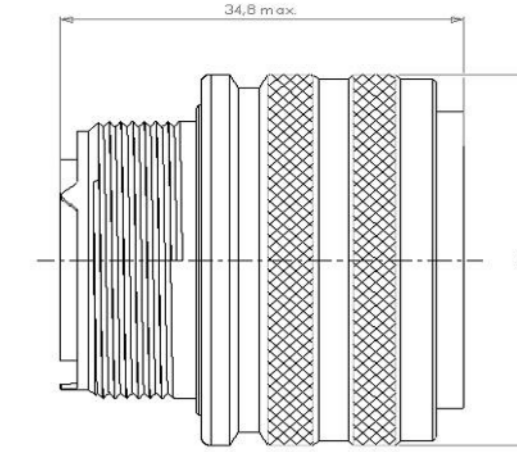
Part Number with Elbowed Cable Clamp	F Max	G Max	J Max	J1 Max	L Max	R Max	T Max
DBAS 976-09-** P/S * 081	20.4	17	6.6	5.15	52	17.4	21.4
DBAS 976-11-** P/S * 081	23.7	21.8	12.75	10.55	57.1	23.6	23.8
DBAS 976-13-** P/S * 081	26.9	25	14.6	12.05	59.4	25.5	25.3
DBAS 976-15-** P/S * 081	31.5	28.25	17.8	15.85	62.8	29.7	26.8
DBAS 976-17-** P/S * 081	36.1	30.95	19.8	17.95	66.1	32.6	28.3
DBAS 976-19-** P/S * 081	36.1	30.95	19.8	17.95	66.1	32.6	28.3
DBAS 976-21-** P/S * 081	39.3	34.15	23	21.05	69.5	36	29.9
DBAS 976-23-** P/S * 081	47.3	42	30.1	27.45	76.1	42.8	33.5
DBAS 976-25-** P/S * 081	47.3	42	30.1	27.45	76.1	42.8	33.5



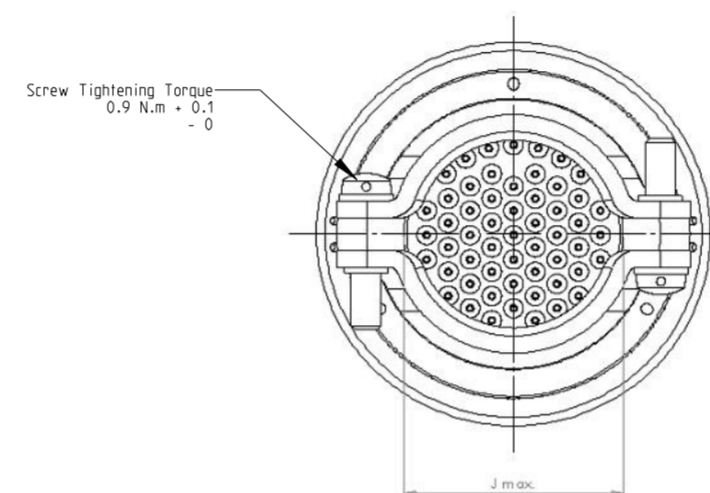
DBAS 976



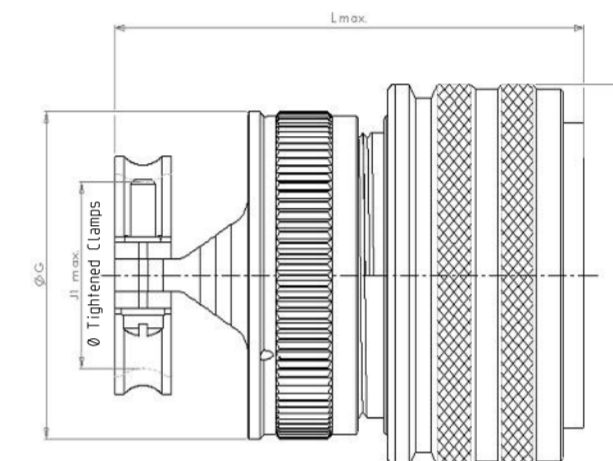
DBAS 976 With Nut



DBAS 976 Without Nut (Mod 1A)

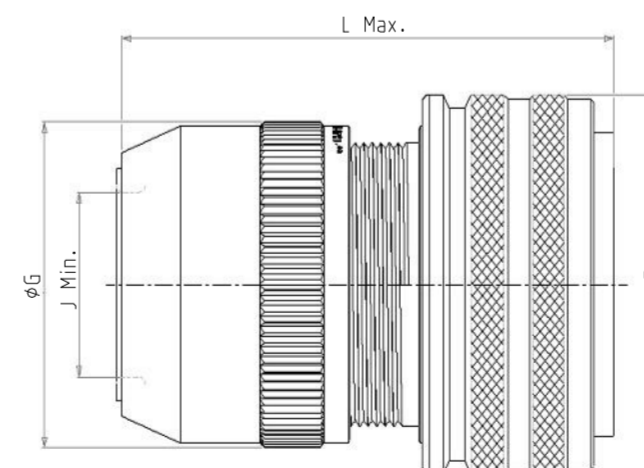


DBAS 976 With Straight Cable Clamp (Mod 059)



Part Number	Part Number without Nut	Part Number with Straight Cable Clamp	F Max	G Max	with Straight Cable Clamp		
					J Max	J1 Max	L Max
DBAS 976-09-** P/S*	DBAS 976-09-** P/S * 1A	DBAS 976-09-** P/S * 059	20.4	17	6.6	5.15	48
DBAS 976-11-** P/S*	DBAS 976-11-** P/S * 1A	DBAS 976-11-** P/S * 059	23.7	21.8	12.75	10.55	48
DBAS 976-13-** P/S*	DBAS 976-13-** P/S * 1A	DBAS 976-13-** P/S * 059	26.9	25	14.6	12.05	54
DBAS 976-15-** P/S*	DBAS 976-15-** P/S * 1A	DBAS 976-15-** P/S * 059	31.5	28.25	17.8	15.85	54
DBAS 976-17-** P/S*	DBAS 976-17-** P/S * 1A	DBAS 976-17-** P/S * 059	36.1	30.95	19.8	17.95	54
DBAS 976-19-** P/S*	DBAS 976-19-** P/S * 1A	DBAS 976-19-** P/S * 059	36.1	30.95	19.8	17.95	54
DBAS 976-21-** P/S*	DBAS 976-21-** P/S * 1A	DBAS 976-21-** P/S * 059	39.3	34.15	23	21.05	54
DBAS 976-23-** P/S*	DBAS 976-23-** P/S * 1A	DBAS 976-23-** P/S * 059	47.3	42	30.1	27.45	54
DBAS 976-25-** P/S*	DBAS 976-25-** P/S * 1A	DBAS 976-25-** P/S * 059	47.3	42	30.1	27.45	54

DBAS 976-WITH POTTING CUP (MOD A083)



Part Number with Potting Cup	F Max	G Max	J Mini	L Max
DBAS 976-09-** P/S * A083	20.4	17	4.6	48
DBAS 976-11-** P/S * A083	23.7	21.8	10	48
DBAS 976-13-** P/S * A083	26.9	25	11.5	53.6
DBAS 976-15-** P/S * A083	31.5	28.25	15.3	53.6
DBAS 976-17-** P/S * A083	36.1	30.95	17.3	53.6
DBAS 976-19-** P/S * A083	36.1	30.95	17.3	53.6
DBAS 976-21-** P/S * A083	39.3	34.15	20.5	53.6
DBAS 976-23-** P/S * A083	47.3	42	26.8	53.6
DBAS 976-25-** P/S * A083	47.3	42	26.8	53.6

A	PRELIMINARY RELEASE	-	MB	RS
LTR	REVISION RECORD	DATE	DWN	APVD

DIMENSIONS: mm

ANGLES: -

SURFACE TEXTURE:  $\sqrt{\quad}$

TOLERANCES UNLESS OTHERWISE SPECIFIED:

0 PLC	±
1 PLC	±0.1
2 PLC	±0.01
3 PLC	±0.001
4 PLC	±0.0001

DWN	MANSI B	22NOV2021	MATERIAL	-	HEAT TREAT	-
CHK	RAKESH S	22NOV2021				
APVD	VINCENT P	23NOV2021				
NAME: DBAS 976_FEEL CONTROL LOCKING PLUG						
SCALE	1:1	SIZE	A2	DRAWING NO	DBAS-976-XX	
SHEET	1	OF	1	REV	1	

THIS INFORMATION IS CONFIDENTIAL AND PROPRIETARY TO TE CONNECTIVITY LTD. AND ITS WORLDWIDE SUBSIDIARIES AND AFFILIATES (TE). IT MAY NOT BE DISCLOSED TO ANYONE, OTHER THAN TE PERSONNEL, WITHOUT AUTHORIZATION FROM TE (www.te.com).