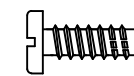
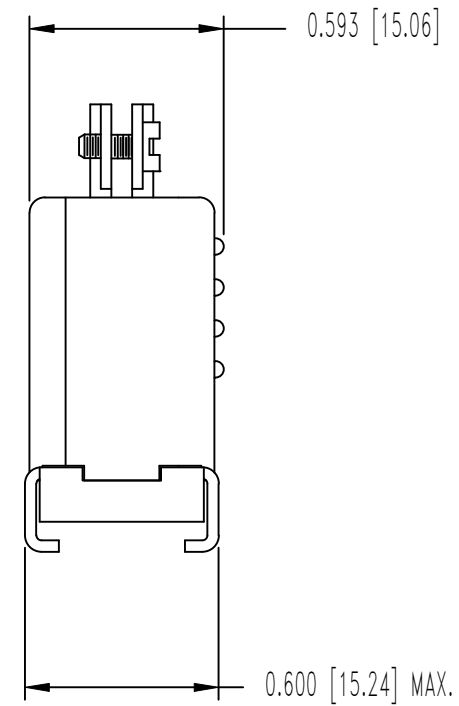
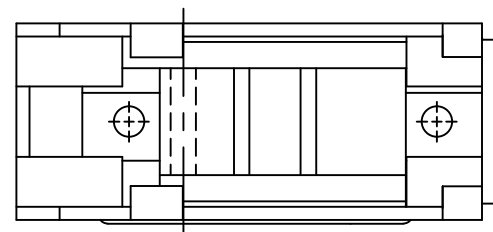
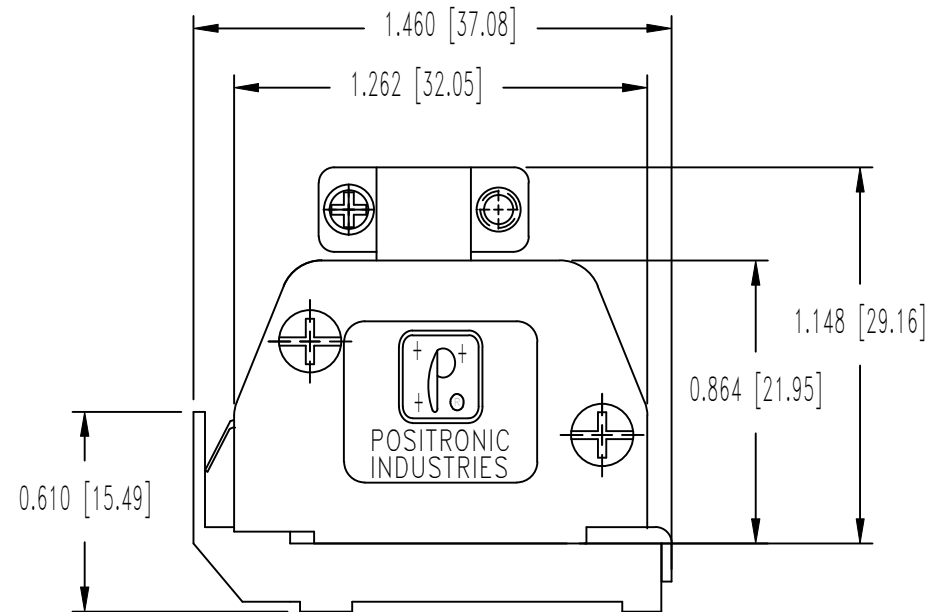


SK12850

THIS DRAWING CONTAINS INFORMATION PROPRIETARY TO POSITRONIC AND ITS SUBSIDIARIES. POSITRONIC BELIEVES THE DATA ON THIS DRAWING TO BE RELIABLE. SINCE THE TECHNICAL INFORMATION IS GIVEN FREE OF CHARGE, THE USER EMPLOYS SUCH INFORMATION AT HIS OWN DISCRETION AND RISK. POSITRONIC ASSUMES NO RESPONSIBILITY FOR RESULTS OBTAINED OR DAMAGES INCURRED FROM USE OF SUCH INFORMATION IN WHOLE OR IN PART.

DATE	REV	REVISION RECORD	APP	DR	CK
10-31-11	NC	ECO 34642	COLE	BE	COLE
7-15-13	A	ECO 39836	COLE	BE	COLE



CONNECTOR MOUNTING SCREW  
2X

NOTES:

- MATERIALS AND FINISHES:  
HOOD: GLASS FILLED POLYESTER, 94V-0, COLOR: BLACK.  
LOCK LEVER AND CABLE CLAMPS: STEEL WITH NICKEL PLATE.  
SCREWS: STEEL OR BRASS, ZINC PLATE WITH CHROMATE SEAL.
- DETAILED PRODUCT, MECHANICAL, AND ELECTRICAL INFORMATION IS AVAILABLE IN THE LATEST D-SUB ACCESSORY PRODUCT PUBLICATION. VISIT [CONNECTPOSITRONIC.COM/PRODUCTS/58/D-SUBMINIATUREACCESSORIES](http://CONNECTPOSITRONIC.COM/PRODUCTS/58/D-SUBMINIATUREACCESSORIES) OR [CONNECTPOSITRONIC.COM](http://CONNECTPOSITRONIC.COM).
- ACCESSORY IS COMPLIANT TO THE CURRENT ROHS DIRECTIVE.
- DIMENSIONS ARE IN INCHES [MILLIMETERS]

	<b>POSITRONIC INDUSTRIES INC.</b> <a href="http://www.connectpositronic.com">www.connectpositronic.com</a>		FSCM 28198
		<b>D HOOD</b>	SCALE N.T.S.
DECIMAL TOL. ± 0.015 [0.38]	TITLE <b>D9000JVLO/AA</b>		
ANGULAR TOL. ± 5°	DATE 10-31-11	DRAWING NUMBER SK12850	REV. A
		APPROVED BY COLE	