

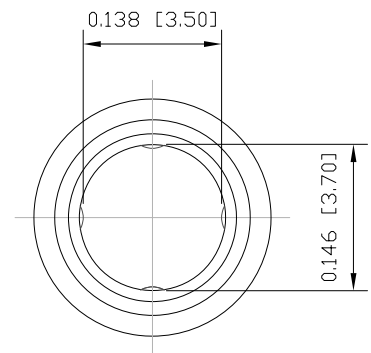
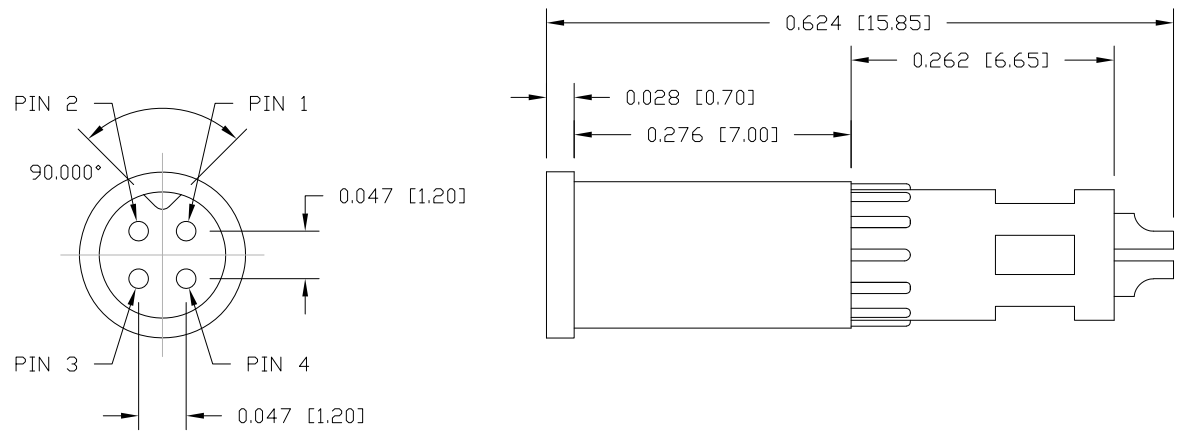
DESCRIPTION: M5 MALE - CABLE MOUNT - SOLDER CUP - 4 POSITION

NOTE:

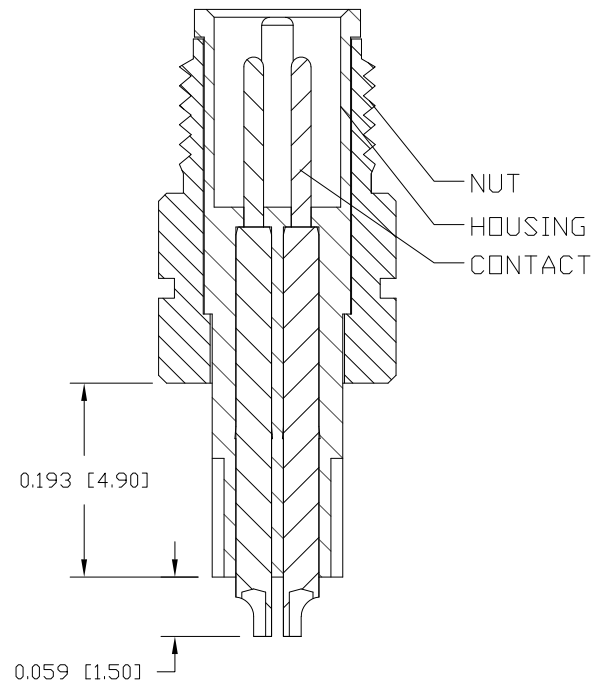
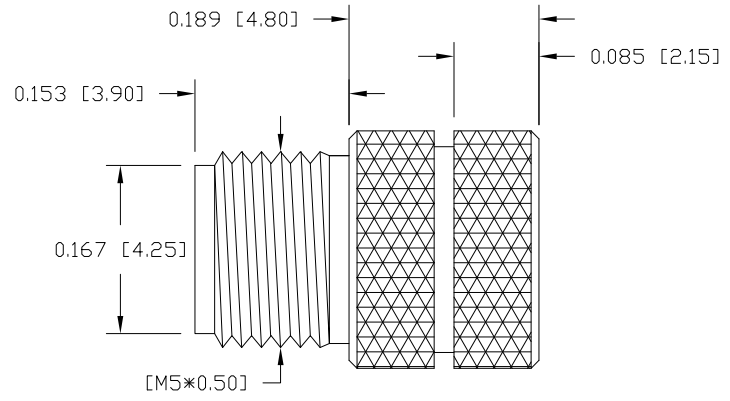
MATERIAL
 HOUSING: TPU, BLACK
 CONTACT: BRASS
 NUT: BRASS
 FINISH
 CONTACT: GOLD PLATED
 OVER 50µ NICKEL
 SATIN NICKEL
 NUT:
 ELECTRICAL
 RATED CURRENT: 1A
 RATED VOLTAGE: 60V
 INSULATION RESISTANCE: 100 MOhms MIN.
 CONTACT RESISTANCE: 10 mOhms MAX.
 WATER PROOF: IP67
 ENVIRONMENT
 OPERATION TEMPERATURE: -40°C TO +85°C
 WIRE GAUGE: 26-28 AWG
 MATING TORQUE: 1.5 in lbs max.

850-004-103RLUY

1 = GOLD FLASH
 4 = 10µ" GOLD



NUT



RoHS COMPLIANT

DO NOT SCALE FROM DRAWING

	THESE DRAWINGS AND SPECIFICATIONS ARE THE PROPERTY OF NorComp AND SHALL NOT BE REPRODUCED, COPIED OR USED AS THE BASIS FOR THE MANUFACTURE OR SALE OF APPARATUS WITHOUT WRITTEN PERMISSION.	DRAWN:	DATE:		SCALE:	SHEET	OF	REV
		M. SIGMON	03-04-16		NTS	1	1	4
					DWG NO.	850-004-103RLUY		