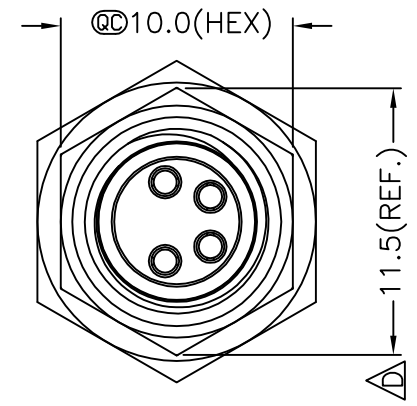
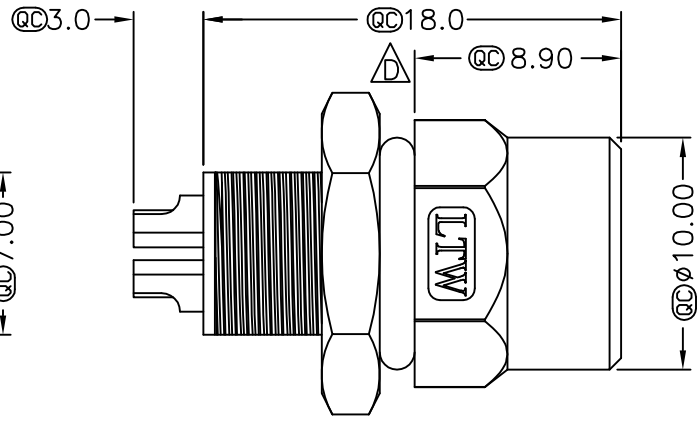
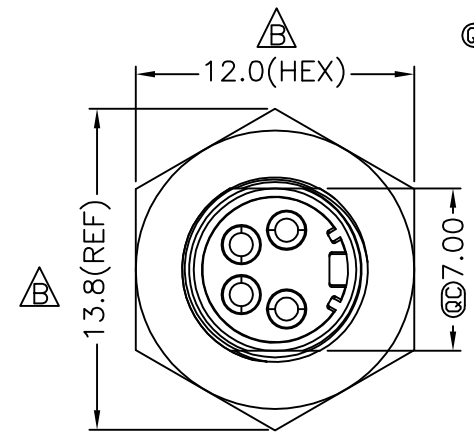
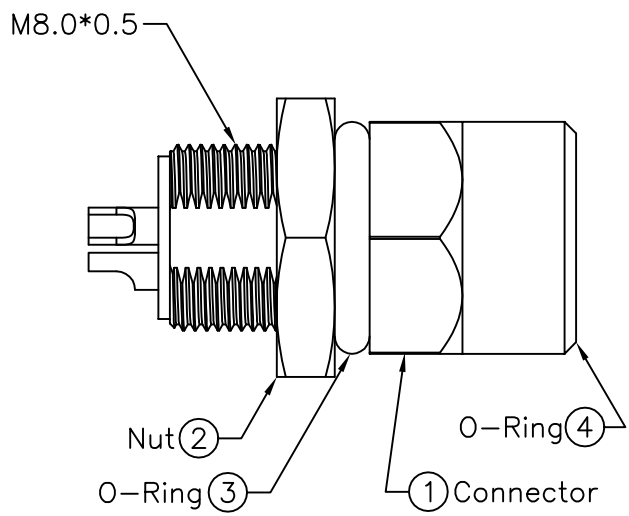


REV.	ECN NO.	DATE	SIGN	DESCRIPTION
B	LEN-750247	2007/05/26	Jason	Change Dimension of Nut
C	LEN-7A0169	2007/09/29	Myrdal	Added Note
D	LEN-910184	2009/01/07	Ivan Lin	Change rev.to ECN note

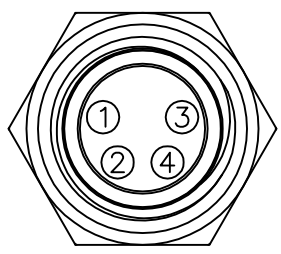


ALTW
DCC. DEPT.
CONFIDENTIAL
2009.01.19
ISSUED

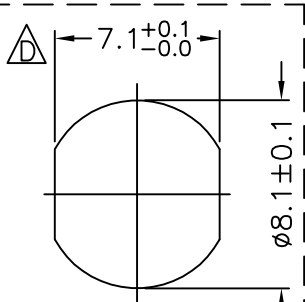
ALTW
CONFIDENTIAL
2009.01.07
R&D DEPT.



- Note:
- * Ⓞ Important Dimension.
 - * Waterproof Rate: IP67
 - * Connector: Black, Nylon+GF
 - * Female Pin: Copper Alloy, Gold Plated
 - * Shield: Zinc Alloy, Nickel Plated
 - * Nut: Copper Alloy, Nickel Plated
 - * O-Ring: Black, EPDM
 - * O-Ring: Green, VITON
 - * For Panel Thickness Max 4.5mm
 - * Nut Torque: 4-6 kgf.cm



Pin Assignments
Front View



Recommended
Panel Cut-Out

UNIT:mm	
TOLERANCE	
.X	±0.25
.XX	±0.1
.XXX	±0.05
ANGLES	±1°

TITLE	M8 Conn Panel Screw 4P F Conn F Pin	
SCALE	Free	SHEET 1 OF 1
REV.	D	SIZE A4
		Ⓞ : Inspection Item

Amphenol LTW
安費諾亮泰企業股份有限公司

ITEM NO	8-04PFFS-SH7001
DWG NO	8-04PFFS-SH7001
CUSTOMER	ALTW

DRAWN BY	Ivan Lin
CHECKED BY	Tommy Hom
APPROVED BY	Luke Chang

DATE	2009/01/07
DATE	2009/01/07
DATE	2009/01/07

THIS DOCUMENT IS SUBJECT TO CHANGE WITHOUT NOTICE. IT IS CONFIDENTIAL AND A PROPERTY OF Amphenol LTW. DISCLOSURE TO THIRD PARTY HAS TO BE AUTHORIZED BY Amphenol LTW.