

10 9 8 7 6 5 4 3 2 1

F

E

D

C

B

A

F

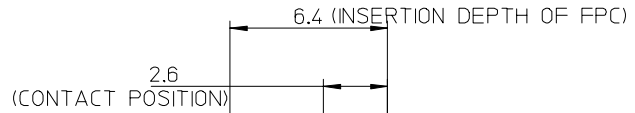
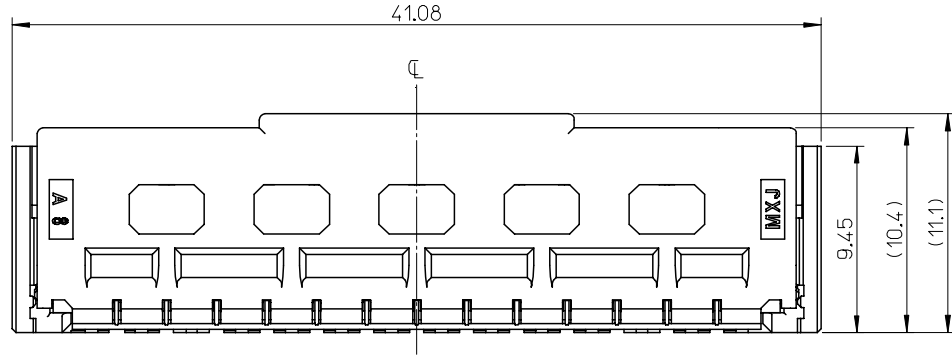
E

D

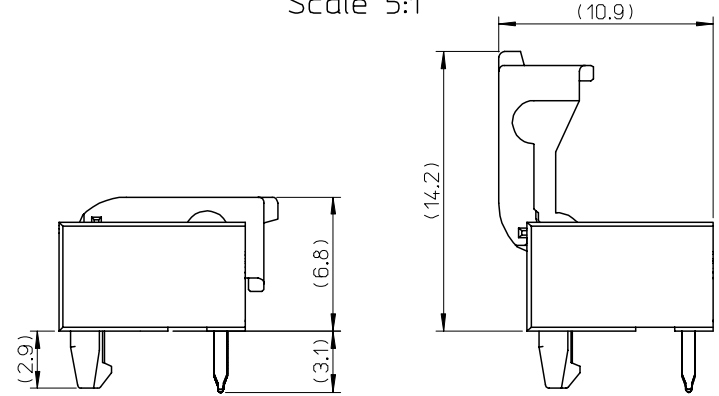
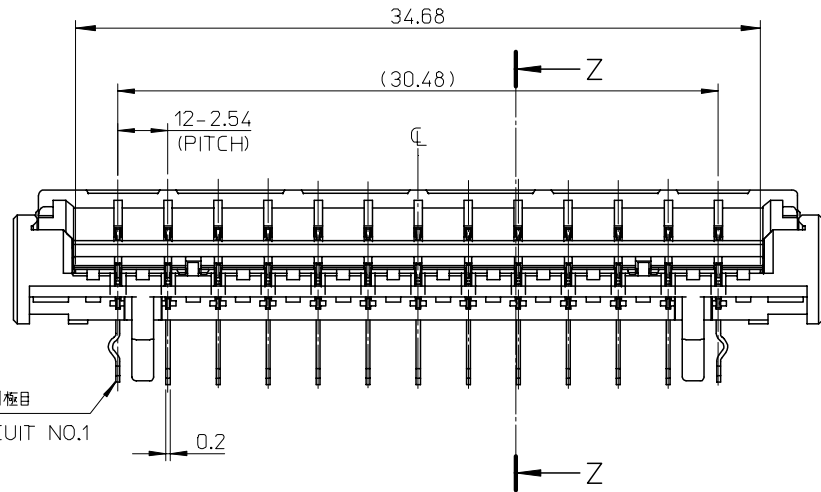
C

B

A



SECTION Z-Z
Scale 5:1



アクチュエータ閉じている状態
ACTUATOR CLOSED

アクチュエータ開いている状態
ACTUATOR OPEN

1極目
CIRCUIT NO.1
0.2

RELEASED EC NO: J2007-3187 DRWN:KONURAKAMI 2007/05/23 CHKD:K.TAKAHASHI 2007/05/23 APPR:K.TAKAHASHI 2007/05/24	GENERAL TOLERANCES (UNLESS SPECIFIED)		DIMENSION STYLE MM ONLY		SCALE 4:1	DESIGN UNITS METRIC	THIRD ANGLE PROJECTION	
	10 UNDER	±0.2	DRAWN BY K.MURAKAMI	DATE 2007/05/22	TITLE 2.54MM FPC CONN EO BACK FLIP HSG ASS'Y			
	10 OVER 30 UNDER	±0.2	CHECKED BY K.TAKAHASHI	DATE 2007/05/22				
	30 OVER	±0.2	APPROVED BY H.HIRATA	DATE 2007/05/22	MOLEX INCORPORATED			
	ANGULAR	±1 °	MATERIAL NO. 502378-1310	DOCUMENT NO. SD-502378-001				
DRAFT WHERE APPLICABLE MUST REMAIN WITHIN DIMENSIONS		SIZE A3	THIS DRAWING CONTAINS INFORMATION THAT IS PROPRIETARY TO MOLEX INCORPORATED AND SHOULD NOT BE USED WITHOUT WRITTEN PERMISSION					

9

8

7

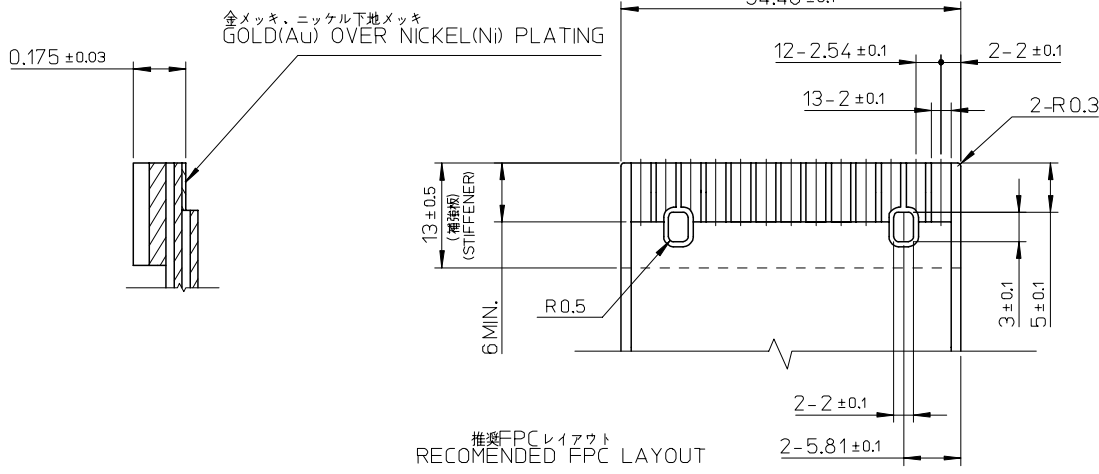
6

5

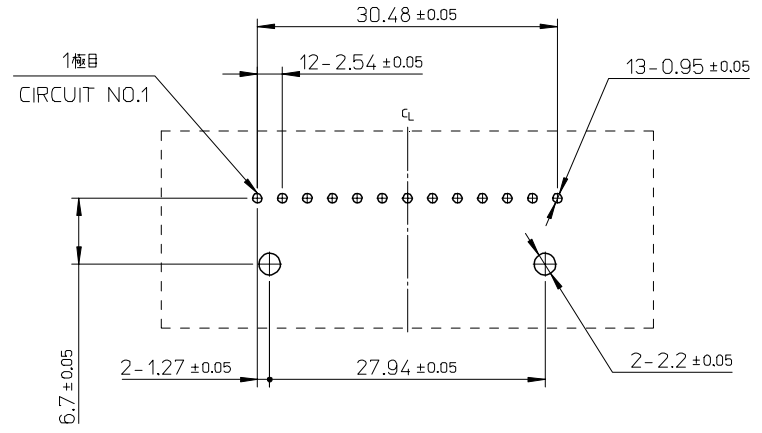
4

3

2



推奨FPCレイアウト
RECOMMENDED FPC LAYOUT
(仕上がり厚さ: 0.175 ± 0.03)
(THICKNESS: 0.175 ± 0.03)



推奨基板レイアウト
RECOMMENDED P.C. BOARD LAYOUT

注記 NOTES

1. 使用材料 MATERIAL
ハウジング: 46ナイロン UL94 V-0
HOUSING: PA46 UL94 V-0
アクチュエータ: 46ナイロン UL94 V-0
ACTUATOR: PA46 UL94 V-0
ターミナル: リン青銅
TERMINAL: PHOSPHOR BRONZE
2. メッキ仕様 PLATING
コンタクト部: 金メッキ(0.1マイクロメートル以上 封孔処理)
CONTACT AREA: GOLD PLATING
(0.1 MICROMETER MIN. FOR SEALING DEPOSITION)
半田付け部: 錫メッキ
SOLDERING AREA: TIN PLATING
下地: ニッケルメッキ
UNDER PLATING: NICKEL PLATING
3. ELV及びRoHS適合品
ELV AND RoHS COMPLIANT.

FPCについて:

打抜き方向は導体側から補強板側を推奨致します。
導体部については軟銅箔35マイクロメートルまたは50マイクロメートルを推奨致します。
ABOUT FPC
RECOMMENDED PUNCHER DIRECTION: FROM CONDUCTOR SIDE TO STIFFENER FILM SIDE.
RECOMMENDED CONDUCTOR SPEC:
THICKNESS OF SOFT COPPER FOIL: 35 MICROMETER OR 50 MICROMETER
補強フィルム材質はポリイミドを推奨致します。
接着剤は熱硬化接着剤を推奨致します。
ベースフィルムは25マイクロメートルを推奨致します。
RECOMMENDED MATERIAL:
STIFFENER FILM: POLYIMIDE
BONDING AGENT: THERMOSETTING BONDING AGENT
RECOMMENDED THICKNESS:
BASE FILM: 25 MICROMETER

RELEASED EC NO: J2007-3187 DRW: K. MURAKAMI 2007/05/23 CHK: K. TAKAHASHI 2007/05/23 APP: K. TAKAHASHI 2007/05/24	GENERAL TOLERANCES (UNLESS SPECIFIED)		DIMENSION STYLE MM ONLY		SCALE 2:1	DESIGN UNITS METRIC	THIRD ANGLE PROJECTION		
	10 UNDER	± 0.2	DRAWN BY K. MURAKAMI		DATE 2007/05/22		TITLE 2.54MM FPC CONN EO BACK FLIP HSG ASS'Y		
	10 OVER 30 UNDER	± 0.2	CHECKED BY K. TAKAHASHI		DATE 2007/05/22				
	30 OVER	± 0.2	APPROVED BY H. HIRATA		DATE 2007/05/22		MOLEX INCORPORATED		
ANGULAR	± 1	MATERIAL NO. 502378-1310		DOCUMENT NO. SD-502378-001		SHEET NO. 2 OF 2			
DRAFT WHERE APPLICABLE MUST REMAIN WITHIN DIMENSIONS			SIZE A3	THIS DRAWING CONTAINS INFORMATION THAT IS PROPRIETARY TO MOLEX INCORPORATED AND SHOULD NOT BE USED WITHOUT WRITTEN PERMISSION					