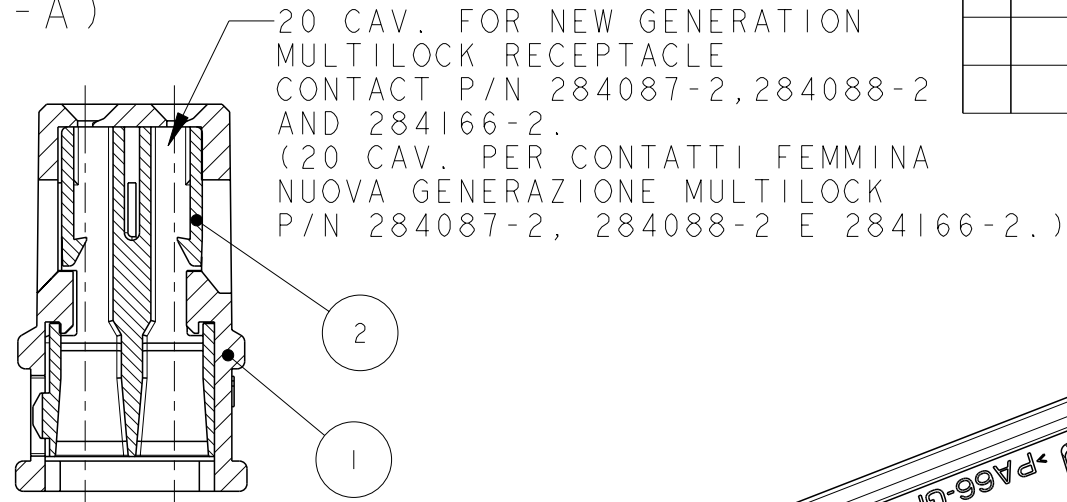
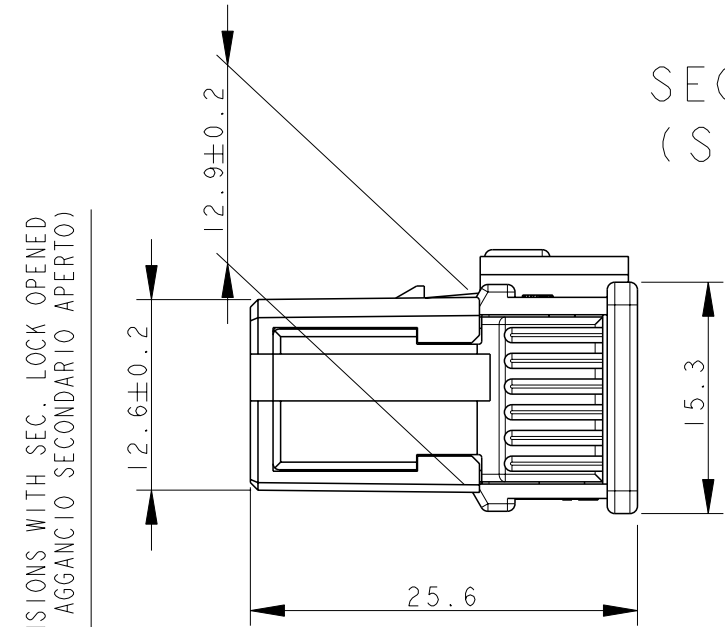
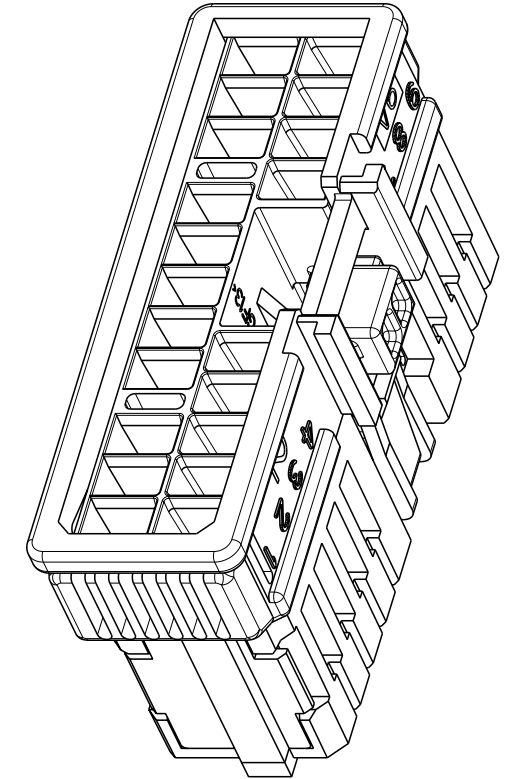
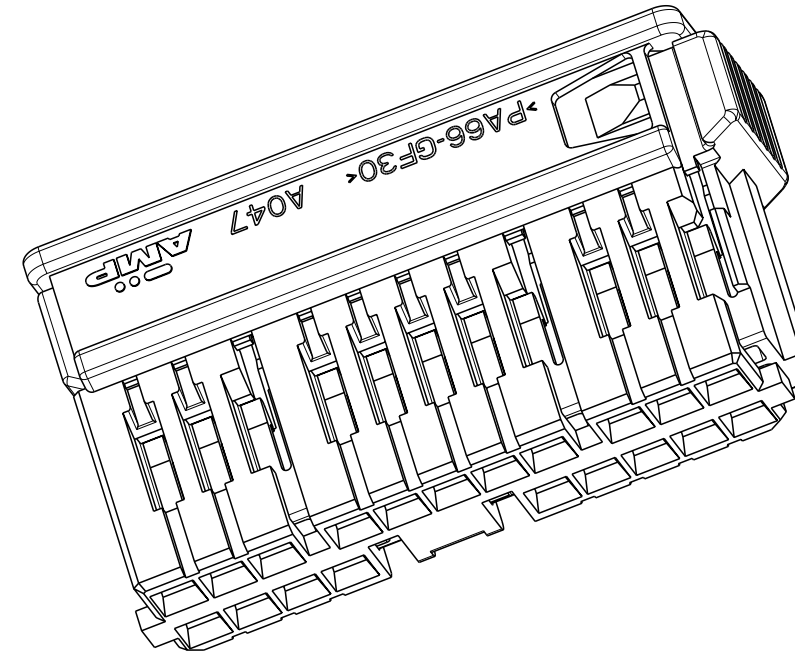
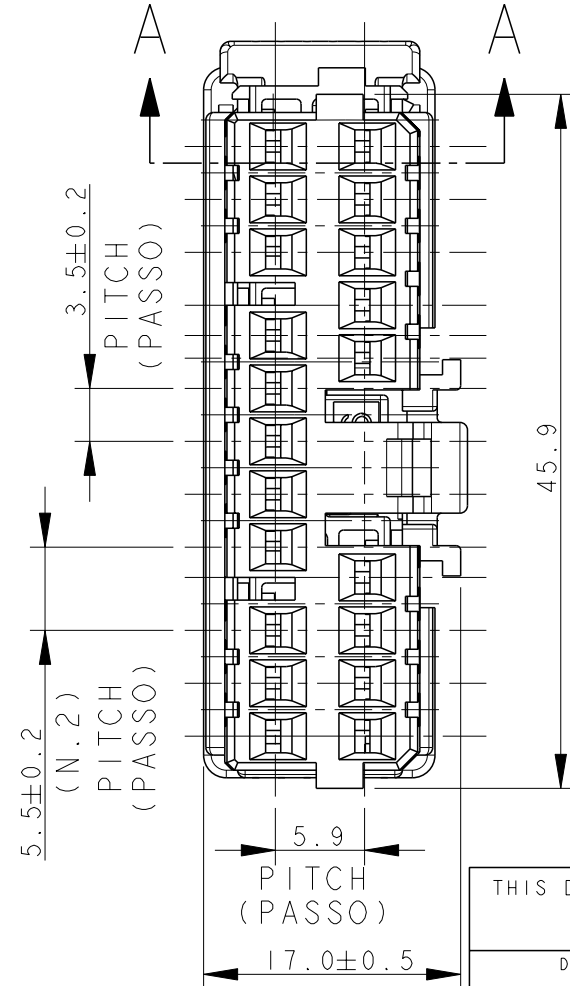
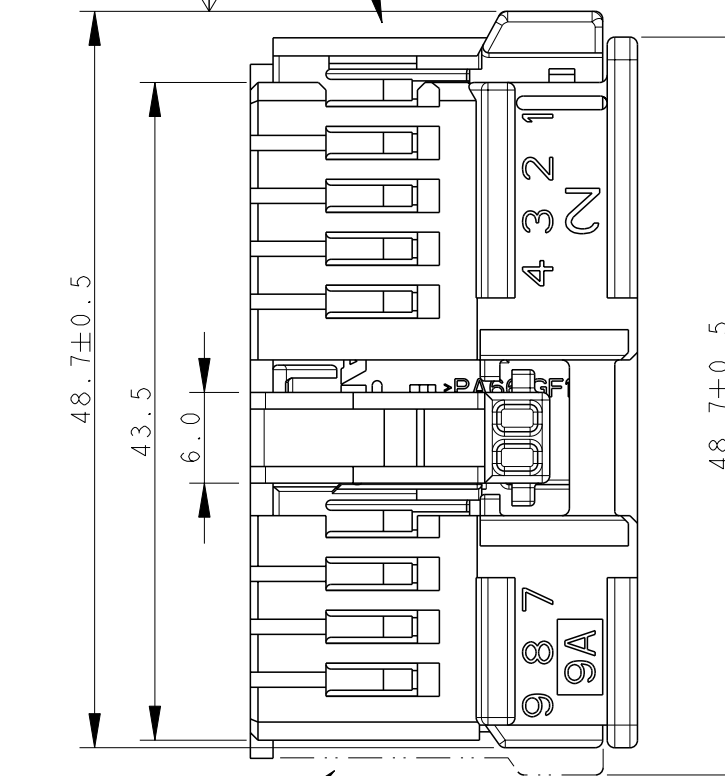


P	LTR	DESCRIPTION	DATE	DWN	APVD
	A4	REVISED PER ECO-20-003218	08JUN2020	AP	VN

SECTION A-A
(SEZIONE A-A)



SUPPLIED WITH SEC. LOCKING DEVICE ON PRE-ASSEMBLED POSITION (FORNITO CON IL DISPOSITIVO DI AGGANCIO SECONDARIO IN POS. PRE-ASSEMBLATO)

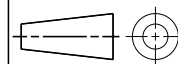


282991-2 AS SHOWN (COME MOSTRATO)

ITEM	DESCRIPTION (DESCRIZIONE)	FINISH/COLOUR (FINITURA/COLORE)	MATERIAL (MATERIALE)	PART NUMBER (NUMERO)
2	RECEPTACLE HOUSING (BLOCC. PORTA FEMMINE)	SEE SHEET 2 VED. FOGLIO 2	PA 66 G.F.	SEE SHEET 2 VED. FOGLIO 2
1	SEC. LOCKING DEVICE (AGGANCIO SECONDARIO)	SEE SHEET 2 VED. FOGLIO 2	PA 66 G.F.	SEE SHEET 2 VED. FOGLIO 2

THIS DRAWING IS A CONTROLLED DOCUMENT.

DIMENSIONS: mm



MATERIAL SEE table

TOLERANCES UNLESS OTHERWISE SPECIFIED:

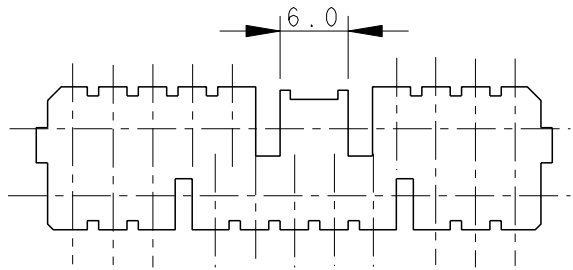
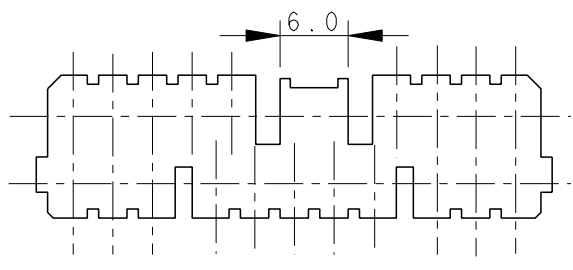
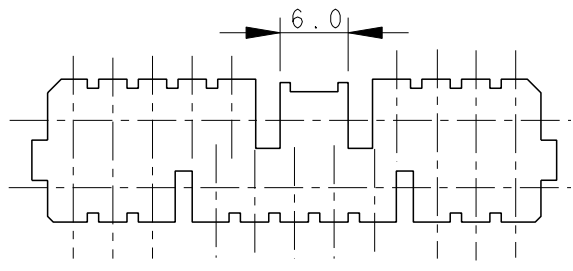
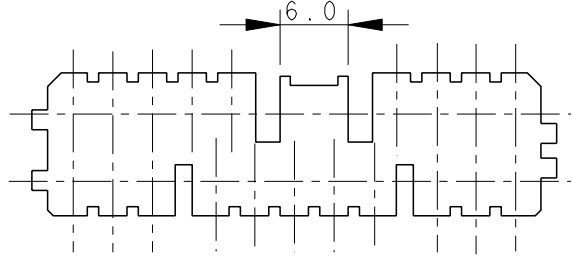
0 PLC	±0.3
1 PLC	±0.3
2 PLC	±0.3
3 PLC	±
4 PLC	±
ANGLES	±2
FINISH	-

DWN	A. MARANGON	04MAR99
CHK	O. CANUTO	04MAR99
APVD	A. GENTIA	04MAR99
PRODUCT SPEC	108-20175	
APPLICATION SPEC	114-20098	
WEIGHT	8.0 g	


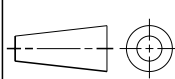
TE TE Connectivity			
NAME 20 POS. NEW GENERATION RECEPTACLE CONNECTOR for trucks			
SIZE	CAGE CODE	DRAWING NO	RESTRICTED TO
A300779	C=282991		-

FOR POLARIZATION DETAILS AND COUNTERPARTS P/N'S SEE SHEET 2 (PER DETTAGLIO POLARIZZAZIONI E P/N'S CONTROPARTI VEDERE FOGLIO 2)

P	LTR	DESCRIPTION	DATE	DWN	APVD
-	-	SEE SHEET 1, (VEDERE FOGLIO 1)	-	-	-

P/N	ITEM 1 COLOUR (COLORE)	PART REV	GRAPHIC REPRESENTATION MATING FACE (RAPPRESENTAZIONE GRAFICA LATO ACCOPPIAMENTO)	P/N FREE HANGING COUNTERPART (CONTROPARTE VOLANTE)	P/N APPLICATION PANEL (DIMA DI APPLICAZIONE)
282991-2	BLACK (NERO)	A		282994-2	92-51128-2
282991-3	BLUE (BLU)	A		282994-3	92-51128-3
282991-4	GREY (GRIGIO)	A		282994-4	92-51128-4
282991-5	GREEN (VERDE)	A		/	/
282991-6	BROWN (MARRONE)	A	SAME AS -5	/	/

OBSOLETE

THIS DRAWING IS A CONTROLLED DOCUMENT.		DWN A. MARANGON 04MAR99	 TE Connectivity	
DIMENSIONS: mm		CHK O. CANUTO 04MAR99		
TOLERANCES UNLESS OTHERWISE SPECIFIED:		APVD A. GENTIA 04MAR99	NAME 20 POS. NEW GENERATION RECEPTACLE CONNECTOR for trucks	
0 PLC ±0.3 1 PLC ±0.3 2 PLC ±0.3 3 PLC ± 4 PLC ± ANGLES ±2		PRODUCT SPEC SEE SHEET 20 (VEDERE FOGLIO 1)	SIZE A300779	
		APPLICATION SPEC SEE SHEET 20 (VEDERE FOGLIO 1)	DRAWING NO C-282991	
MATERIAL SEE TABLE (VEDERE FOGLIO 1)		WEIGHT 180 g	RESTRICTED TO -	
FINISH =		CUSTOMER DRAWING		
		SCALE 1:1		SHEET 2 OF 2
				REV A4