

THIS DRAWING IS UNPUBLISHED.

RELEASED FOR PUBLICATION

© COPYRIGHT BY TYCO ELECTRONICS CORPORATION. ALL RIGHTS RESERVED.

ALL RIGHTS RESERVED.

LOC  
J

DIST  
—

REVISIONS

変更

DESCRIPTION

DATE

DWN

APVD

P

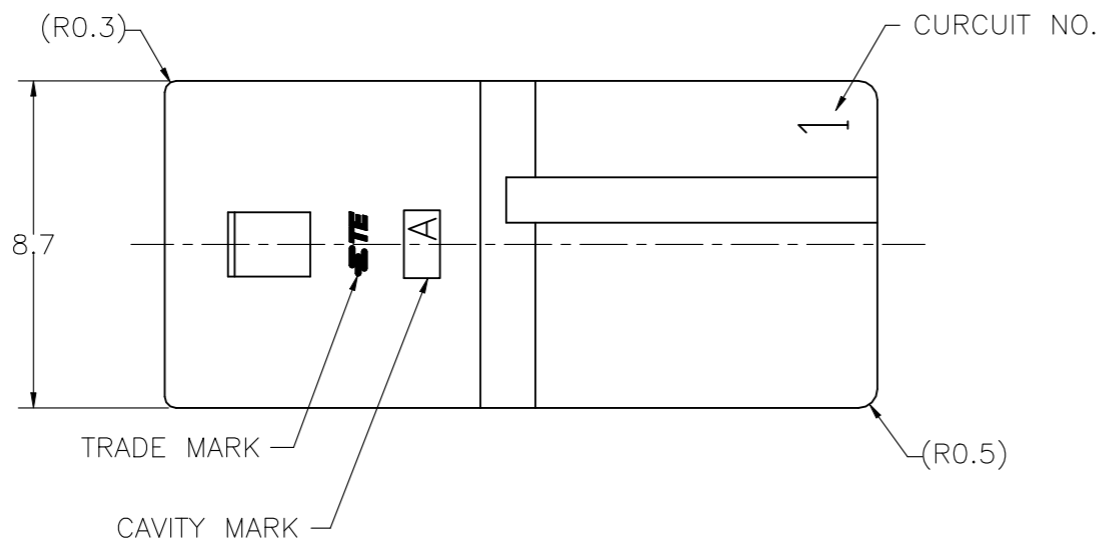
LTR

C REVISED PER ECR-21-112782

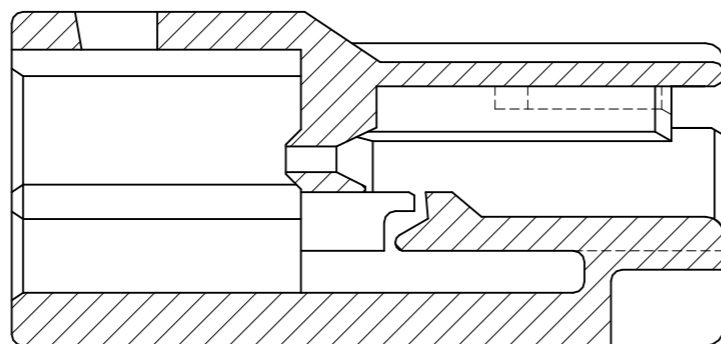
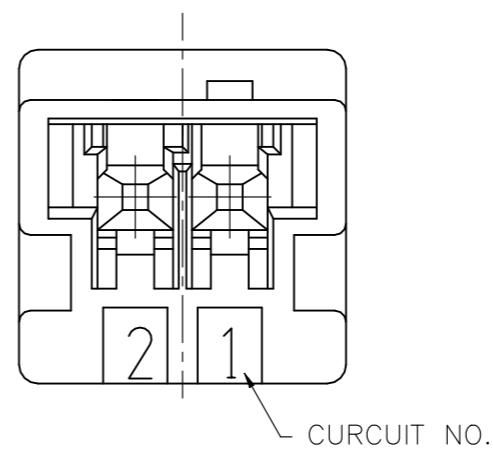
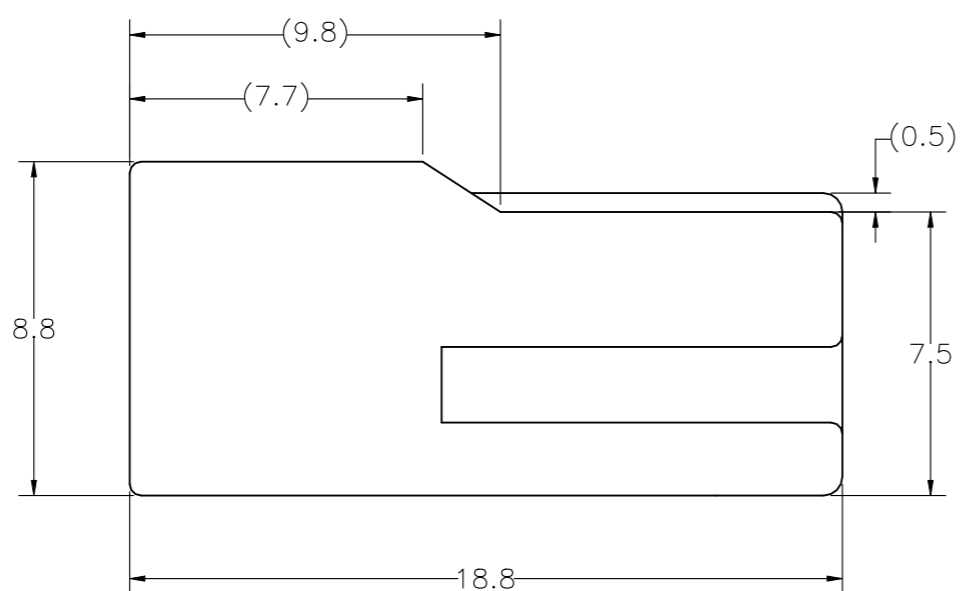
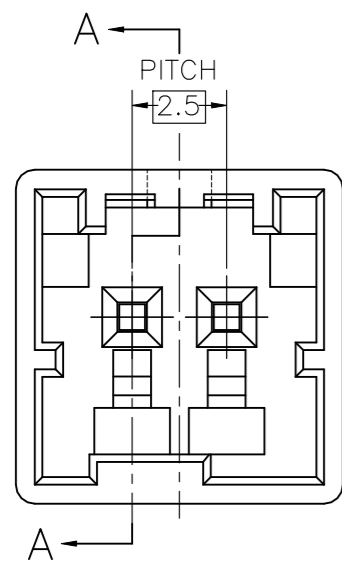
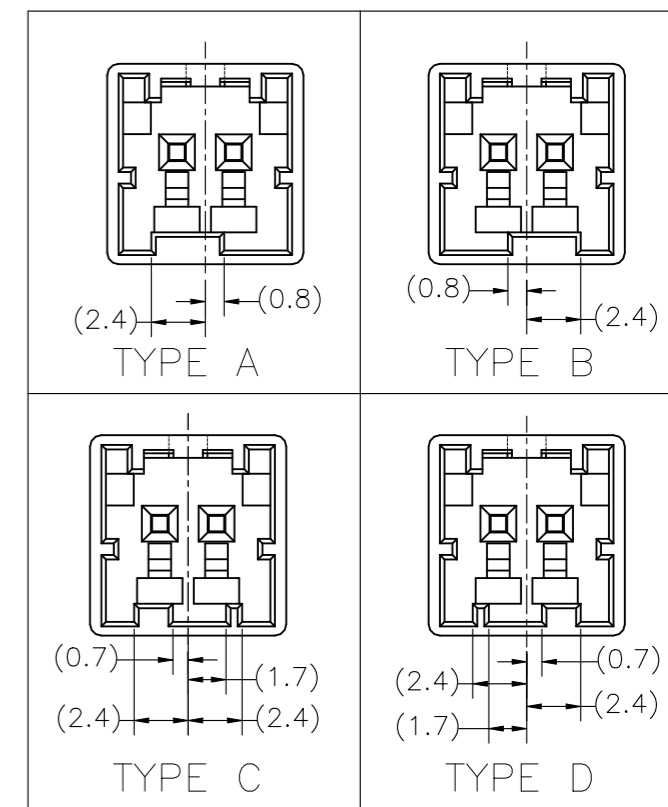
16SEP2021

PJ

DZ



TYPE OF KEYING



断面 A-A  
SECT A-A

注記

- 1. 一般公差: ±0.3
- △ 材料PBTガラス強化(UL94V-0)
- △ かん合相手製品型番  
プラグハウジング: TABLE参照のこと  
タブコンタクト: 917764, 917765

NOTE

- 1. GENERAL TOLERANCE: ±0.3
- △ MATERIAL: PBT GLASS FILLED (UL94V-0)
- △ MATING CONN. P/N  
PLUG HOUSING: SEE TABLE  
TAB CONTACT: 917764, 917765

4-1903388-2	TYPE B	BLACK 黒色	4-1903391-2
3-1903388-4	TYPE D	YELLOW 黄色	3-1903391-4
2-1903388-3	TYPE C	BLUE 青色	2-1903391-3
1-1903388-2	TYPE B	RED 赤色	1-1903391-2
1903388-1	TYPE A	NATURAL 自然色	1903391-1
△ かん合相手型番 MATING HSG P/N	キーイング形状 TYPE OF KEYING	色調 COLOR	型番 PART NUMBER

THIS DRAWING IS A CONTROLLED DOCUMENT.		DWN J.SATO 31OCT05	Tyco Electronics AMP K.K. Kawasaki, Japan	
DIMENSIONS: 単位: 耗 mm		CHK T.HATANO 31OCT05	NAME N.YAMASAKI 31OCT05	
TOLERANCES UNLESS OTHERWISE SPECIFIED: 一般公差		PRODUCT SPEC 製品規格 108-78350		
0 PLC ±		APPLICATION SPEC 取付適用規格		
1 PLC ±		SIZE A3		
2 PLC ±		CAGE CODE 00779		
3 PLC ±		DRAWING NO C-1903391		
4 PLC ±		RESTRICTED TO —		
ANGLES ±		SCALE 尺度 5:1		
MATERIAL 材料 SEE NOTE △		FINISH 仕上		
WEIGHT		SHEET 1 OF 1		
CUSTOMER DRAWING		REV C		