

- 1
- 2
- 3
- 4
- 5
- 6
- 7
- 8
- 9
- 10
- 11
- 12
- 13
- 14
- 15
- 16
- 17
- 18

STANDARD EXECUTIONS

- **BEL-BH-AN**: anodised aluminium natural colour.
 - **BEL-BH-ANB**: anodised aluminium black colour.
 See Bull's eye levels and screw-on levels technical data (on page 780).

FLUID HOUSING

Transparent polyamide based technopolymer.

CONTRAST FLUID

K: colourless.

SENSITIVITY OF THE BULL'S EYE LEVEL

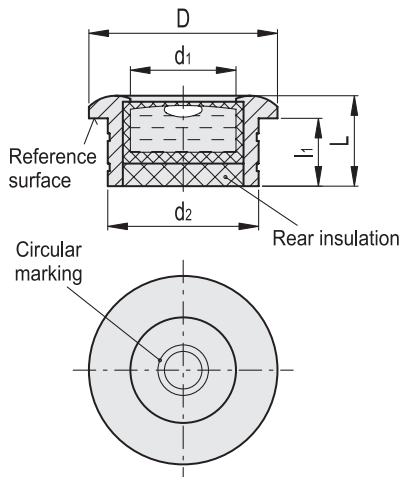
30: movement of the bubble by 2 mm for an inclination of the body of 30 angle minutes with respect to the horizontal surface.

REAR INSULATION

Hemihydrate gypsum.

FEATURES AND APPLICATIONS

BEL-BH bull's eye levels are used to control the horizontal positioning of jigs, machines, devices, equipment and instruments.
 The housing surface (d2) is grooved, to facilitate mounting in the housing provided, eg by gluing.
 The alignment with respect to the reference surface or to the contact surface is reached when the bubble is in the center of the circular marking.



Conversion Table
 1 mm = 0.039 inch

D	
mm	inch
20	0.79
25	0.98
30	1.18

Code	Description	D	d1	d2-0.05/-0.15	L	l1	⚖
156501	BEL-BH-AN-20-K-30	20	12	18	10	8	4
156502	BEL-BH-AN-25-K-30	25	14	20	12	9	7
156503	BEL-BH-AN-30-K-30	30	20	28	13	10	11
156506	BEL-BH-ANB-20-K-30	20	12	18	10	8	4
156507	BEL-BH-ANB-25-K-30	25	14	20	12	9	7
156508	BEL-BH-ANB-30-K-30	30	20	28	13	10	11