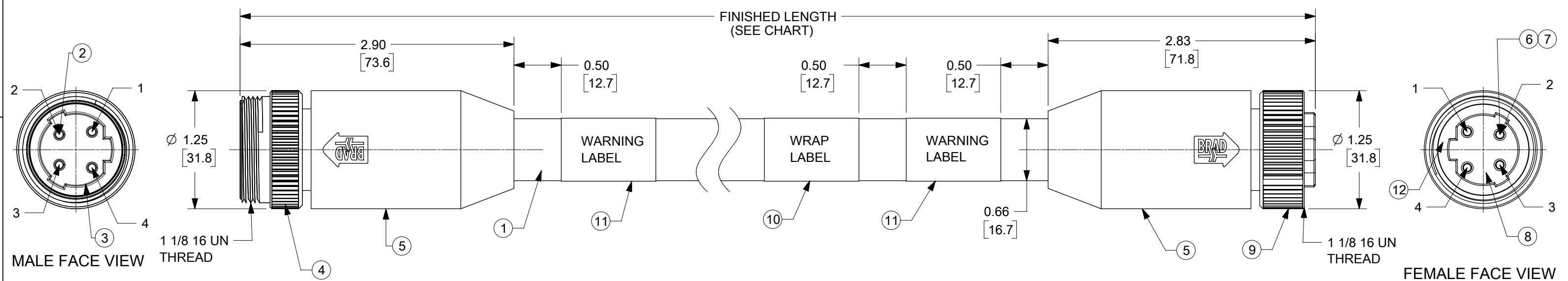
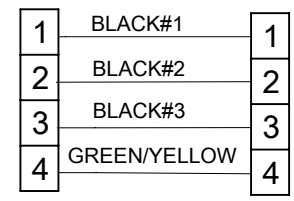


PART NO.	ENGINEERING NO.	FINISHED LENGTH	CHART
1300620301	334T30K09M010A3	1.00 M (3.28 FT)	
1300620302	334T30K09M020A3	2.00 M (6.56 FT)	
1300620303	334T30K09M030A3	3.00 M (9.84 FT)	



- NOTE:
- 1) MATERIAL: SEE TABLE
 - 2) FINISHES: SEE TABLE
 - 3) FLAG LABEL IS MARKED WITH PART No., DATE CODE, VOLTAGE AND AMPERAGE
 - 4) ELECTRICAL DATA
POLE: 4
MAX. VOLTAGE: IEC60664 600V
UL2237 600V
MAX. CURRENT: 25A
 - 5) ENVIRONMENTAL
PROTECTION: IP67
TEMPERATURE RATING: -20C TO 90C
 - 6) PACKAGING:
ASSEMBLIES ARE BAGGED SEPARATELY IN POLY BAGS WITH BAR CODE LABEL ATTACHED TO OUTSIDE OF BAG
 - 7) ASSEMBLY IS RoHS COMPLIANT
 - 8) CERTIFICATION: UL2237 PENDING
 - 9) DIMENSIONS ARE REFERENCE ONLY UNLESS OTHERWISE SPECIFIED
 - 10) MINIMUM BEND RADIUS: 10 X CABLE DIAMTER (0.656")

WIRING DIAGRAM

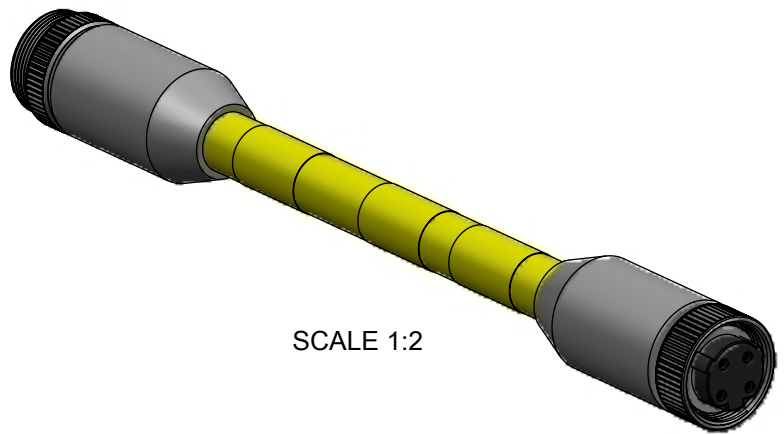


PART NUMBER MATRIX

334T30K09M010A3

CABLE TYPE
12/4C AWG
SHIELDED
HIGH FLEX

FINISH LENGTH
M005 = 0.5 METER
M010 = 1 METER
M100 = 10 METER



ITEM	DESCRIPTION	MATERIAL	FINISH
12	GASKET SEAL	SILICONE	LIGHT GRAY
11	WARNING LABEL	VINYL	MULTI COLOR
10	WRAP LABEL	VINYL	YELLOW
9	FEMALE COUPLING NUT	BRASS	NICKEL PLATED
8	4P FEMALE INSERT	TPE	BLACK
7	SOCKET SLEEVE	STAINLESS STEEL	
6	SOCKET CONTACT	BRASS	GOLD PLATED
5	OVER MOLD	TPE	GRAY
4	MALE COUPLING NUT	BRASS	NICKEL PLATED
3	4P MALE INSERT	TPE	BLACK
2	PIN CONTACT	BRASS	GOLD PLATED
1	12/4C AWG SHLD HIGH-FLEX, VFD	TPE JACKET, XLPE INSUL	YELLOW

CABLE LENGTH TOLERANCES
 >.3M [1FT]: +19mm-0 [+ .75in-0]
 .3 - .9M [1 - 3FT]: +44.5mm-0 [+1.75in-0]
 .9 - 1.8M [3 - 6FT]: +55.6mm-0 [+2.19in-0]
 1.8 - 3.7M [6 - 12FT]: +88.9mm-0 [+3.50in-0]
 3.7 - 7.3M [12 - 24FT]: +165.1mm-0 [+6.50in-0]
 7.3-14.6M [24 - 48FT]: +317.5mm-0 [+12.50in-0]
 14.6 - 30.5M [48-100FT]: +622.3mm-0 [+24.50in-0]
 OVER 30M [100FT] +2% OF FINISHED LENGTH

QUALITY SYMBOLS	THIS DRAWING CONTAINS INFORMATION THAT IS PROPRIETARY TO MOLEX ELECTRONIC TECHNOLOGIES, LLC AND SHOULD NOT BE USED WITHOUT WRITTEN PERMISSION										
	CHANGE DOC TYPE	EC NO: 176042	DRWN: MZIELINSKI	CHKD: CCHRSTKA	APPR: BWOODMAN	GENERAL TOLERANCES (UNLESS SPECIFIED)	DIMENSION UNITS	SCALE	<p>MC 4P M/MFE TRI 360S #12-4 HIGHFLEX 4-POLE MALE/FEMALE TRI KEY 360S 12/4C AWG SHLD TPE BLK</p> <p>PRODUCT CUSTOMER DRAWING</p>		
		2018/05/02	2018/05/02	2018/05/03	4 PLACES	HYBRID	1:1				
		ANGULAR TOL ±	DRWN BY	DATE	3 PLACES	MZIELINSKI	2017/04/11				
2 PLACES	CHK'D BY	DATE	1 PLACE	TWOLDEGEBRIE	2017/06/27						
0 PLACES	APPR BY	DATE	DRAFT WHERE APPLICABLE MUST REMAIN WITHIN DIMENSIONS			B	THIRD ANGLE PROJECTION	SERIES	MATERIAL NUMBER	CUSTOMER	
								130062	SEE CHART/MATRIX		
								DOCUMENT NUMBER	DOC TYPE	DOC PART	SHEET NUMBER
								1300620301	PSD	000	1 OF 1