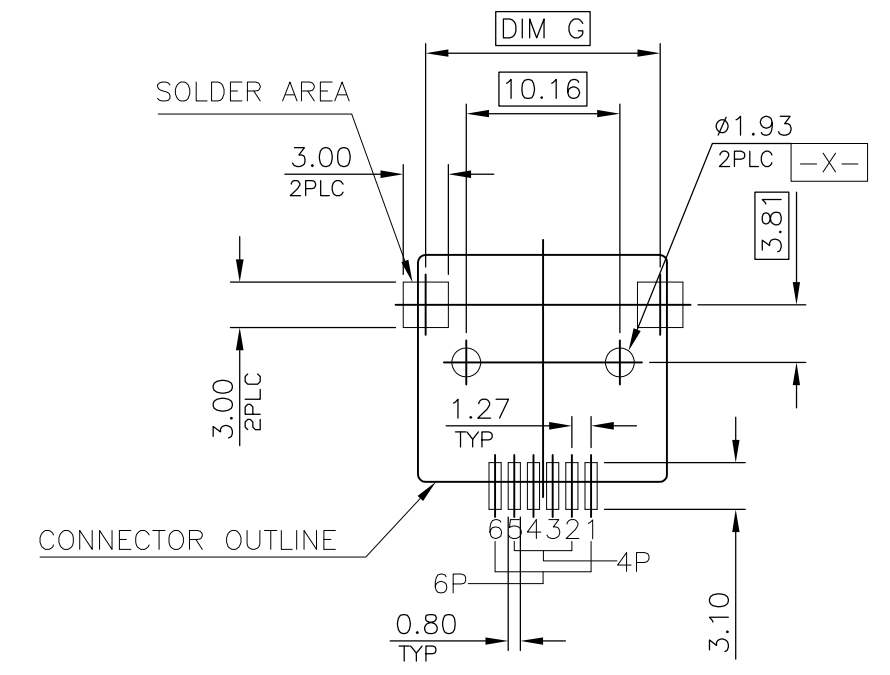
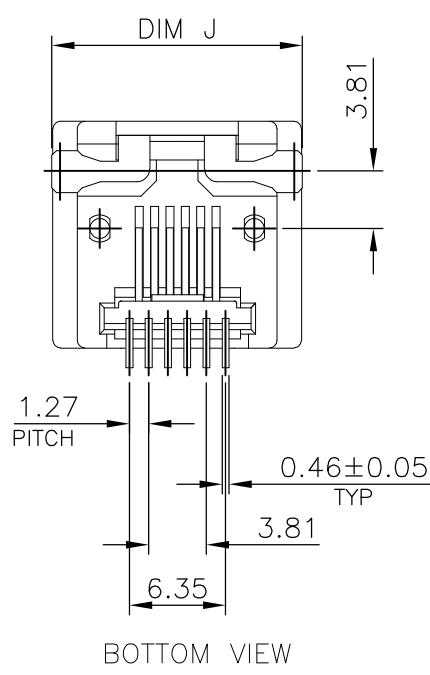
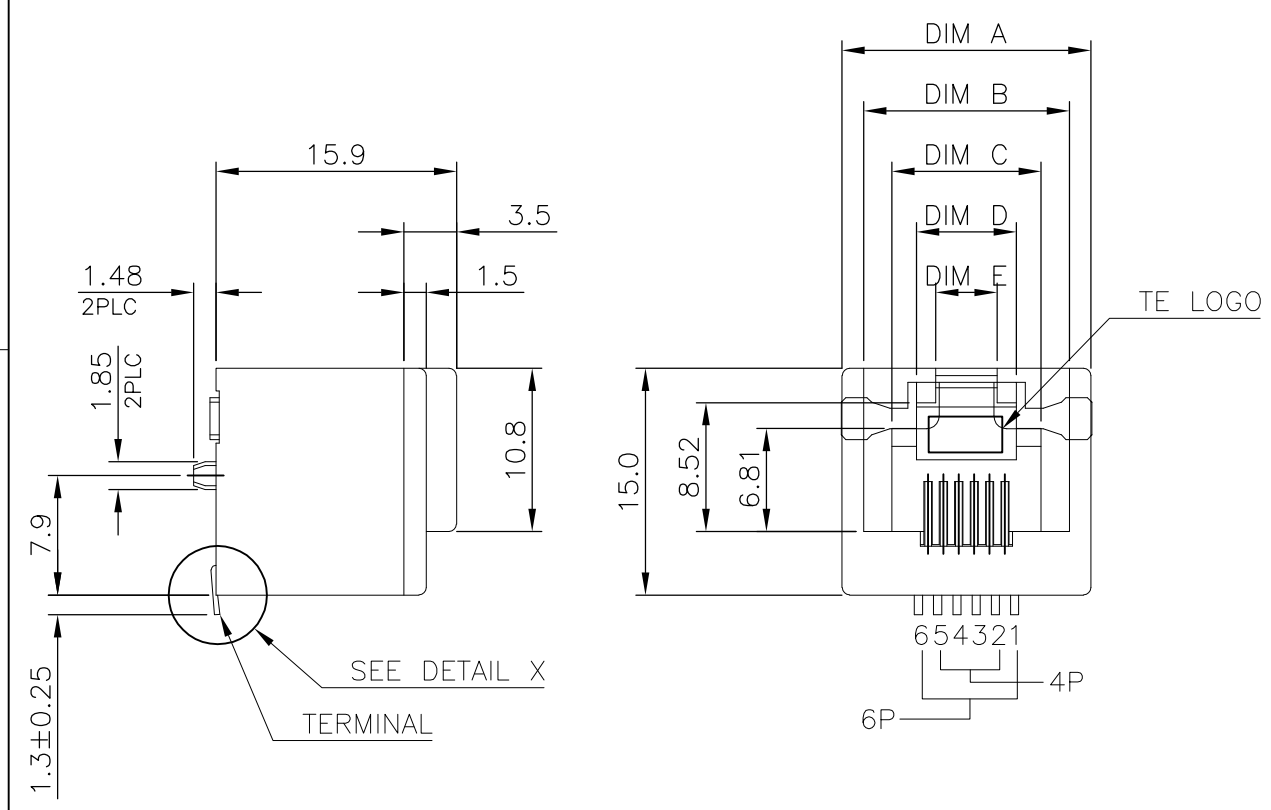
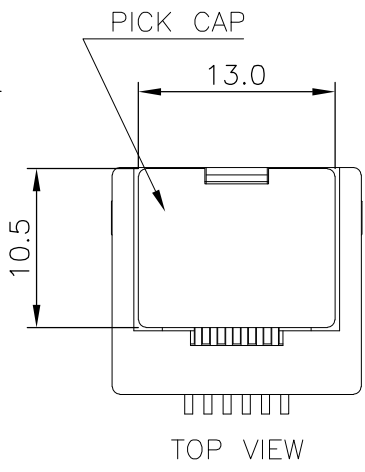
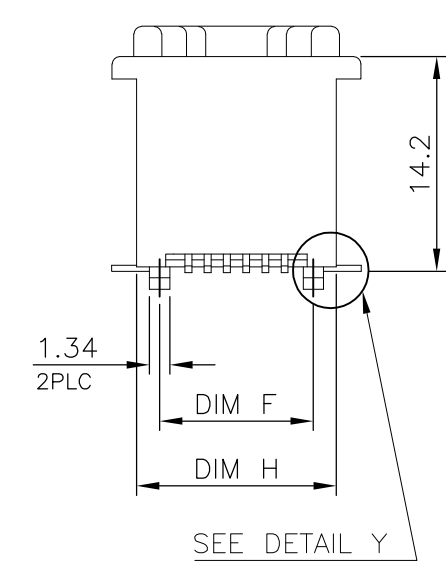
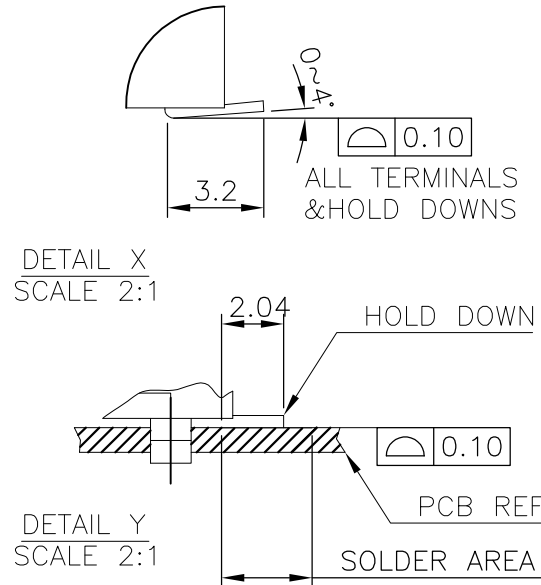


THIS DRAWING IS UNPUBLISHED. RELEASED FOR PUBLICATION  
 © COPYRIGHT - TE Connectivity ALL RIGHTS RESERVED.

REVISIONS					
P	LTR	DESCRIPTION	DATE	DWN	APVD
B		ECO-17-008182	01JUN2017	LL	SH



RECOMMENDED PCB LAYOUT  
 RECOMMENDED PCB THICKNESS: 1.6mm.  
 TOLERANCE: ±0.05 (TOP VIEW)



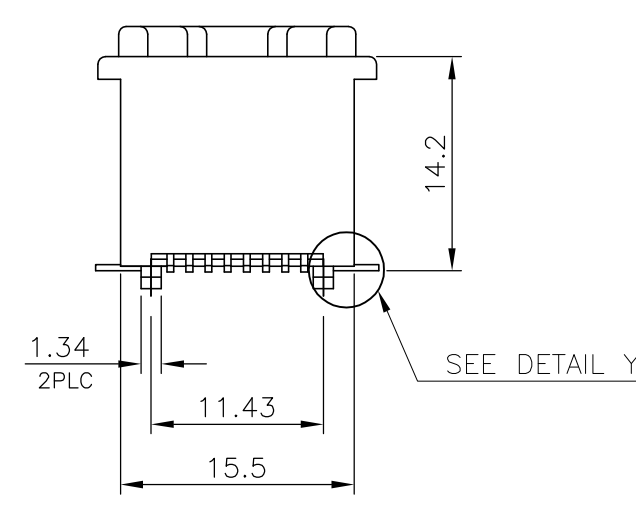
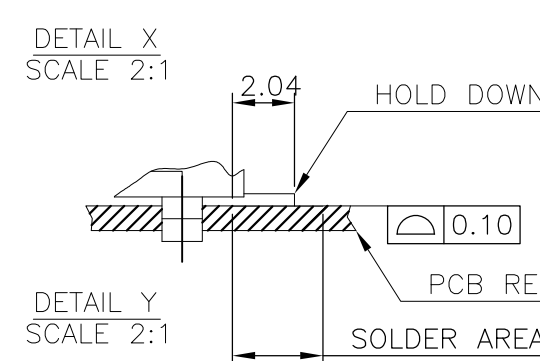
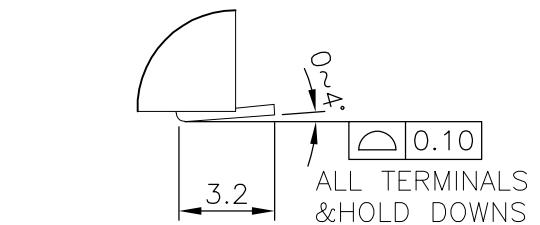
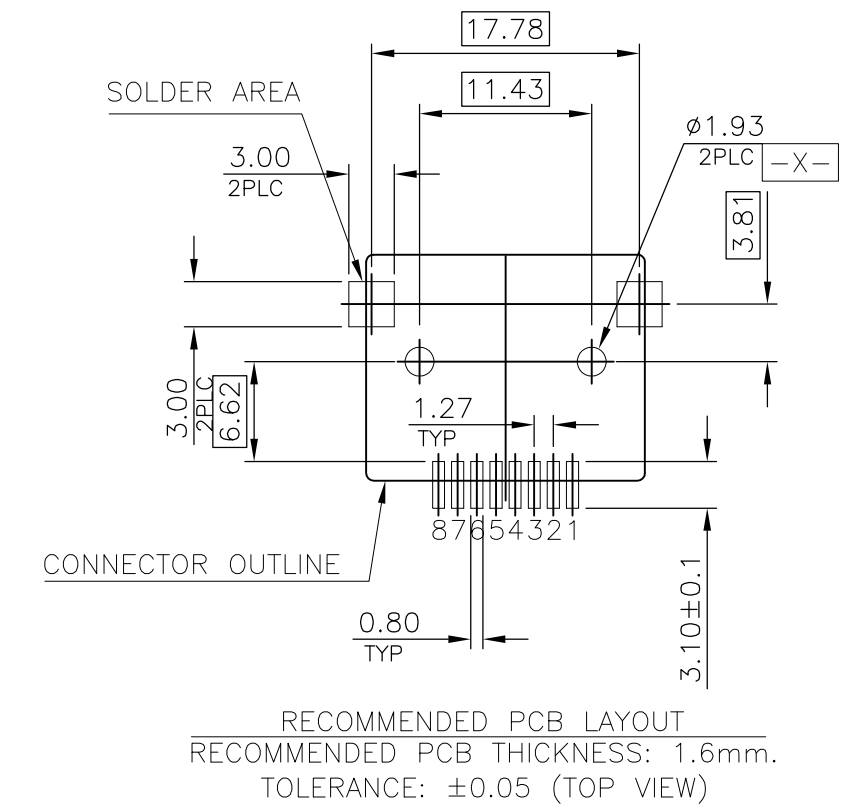
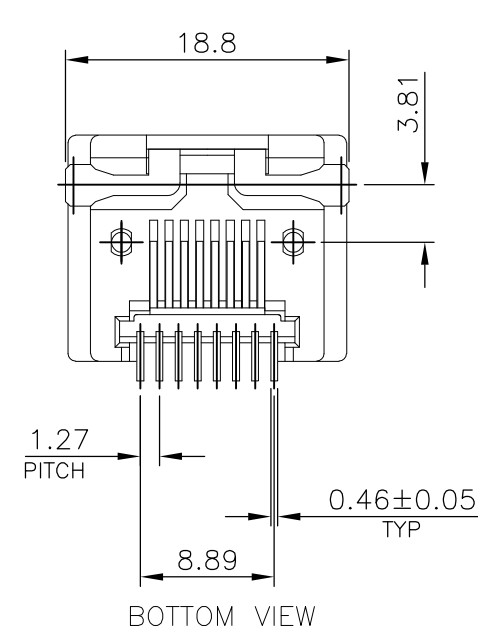
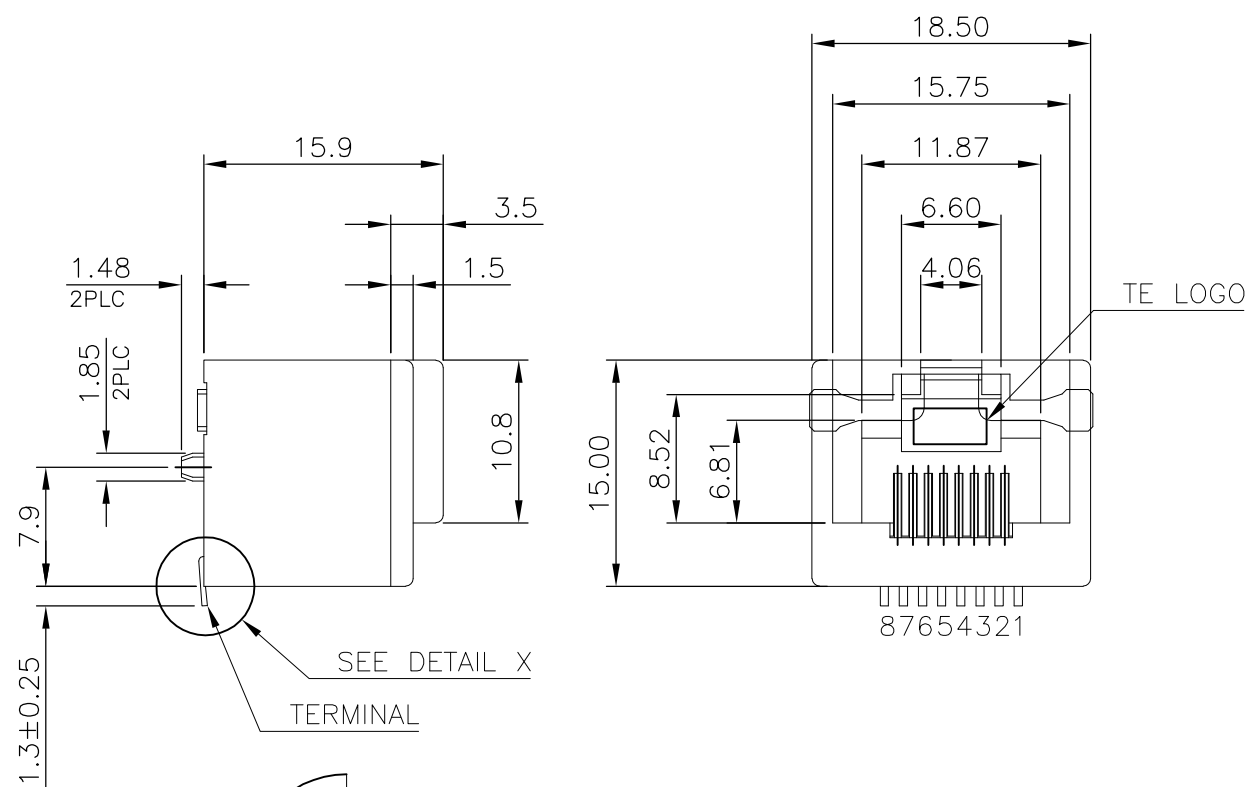
OBSOLETE	DIM J	DIM H	DIM G	DIM F	DIM E	DIM D	DIM C	DIM B	DIM A	RJ11	PICK CAP	WITH		PART NUMBER
												MIN. GOLD THICKNESS		
OBSOLETE	16.50	13.10	15.50	10.16	4.06	6.60	9.87	13.60	16.46	6P6C		1.27µm [50µ"]	1-1734858-8	
												0.76µm [30µ"]	1-1734858-7	
												0.38µm [15µ"]	1-1734858-6	
												0.15µm [6µ"]	1-1734858-5	
OBSOLETE	14.50	11.10	13.50	7.62	3.05	5.50	7.87	11.60	14.44	4P4C	WITHOUT	1.27µm [50µ"]	1-1734858-4	
												0.76µm [30µ"]	1-1734858-3	
												0.38µm [15µ"]	1-1734858-2	
												0.15µm [6µ"]	1-1734858-1	

- NOTE:
- MATERIAL:
    - HOUSING: PA9T, WITH 30% GF, UL94 V-0, BLACK COLOR.
    - INSERT HOUSING: PA9T, WITH 30% GF, UL94 V-0, BLACK COLOR.
    - PICK CAP: PA46, WITH 30% GF, UL94 V-0, BLACK COLOR.
    - CONTACTS: PHOSPHOR BRONZE.
    - HOLD DOWN: BRASS.
  - FINISH:
    - CONTACTS: (SEE TABLE) GOLD PLATED ON CONTACT AREA, GOLD FLASH ON SOLDER TAIL, 1.27µm [50µ"] MIN. NICKEL UNDERPLATED OVERALL.
    - HOLD DOWN: 2.54µm [100µ"] MIN. MATTE TIN PLATED.
  - REFLOW SOLDER CAPABLE TO 260°C PER TEC-109-201, CONDITION B.
  - OBSOLETE PARTS: OBSOLETE CIS STREAMLINING PER D.RENAUD/D.SINISI

THIS DRAWING IS A CONTROLLED DOCUMENT.

DIMENSIONS: mm	TOLERANCES UNLESS OTHERWISE SPECIFIED:	DWN O. HU 06NOV2007	TE Connectivity
	0 PLC ± -	CHK S. HOU 06NOV2007	
	1 PLC ± 0.3	APVD W. KODAMA 06NOV2007	
	2 PLC ± 0.2	NAME	
	3 PLC ± 0.15	PRODUCT SPEC	108-57464
	4 PLC ± -	APPLICATION SPEC	
	ANGLES ± -	WEIGHT 3.3	SIZE A3
MATERIAL SEE NOTE	FINISH SEE NOTE	CAGE CODE 00779	DRAWING NO C-1734858
		CUSTOMER DRAWING	RESTRICTED TO -
		SCALE 1:1	SHEET 1 OF 3
			REV B

P	LTR	DESCRIPTION	DATE	DWN	APVD
-	-	SEE SHEET 1	-	-	-



NOTE:

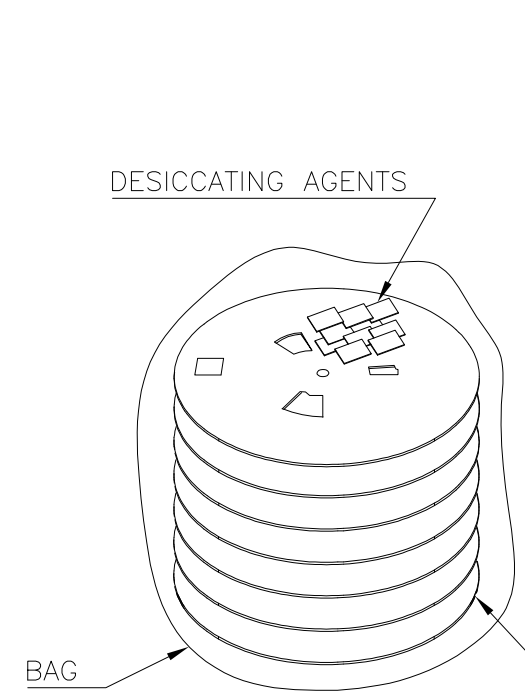
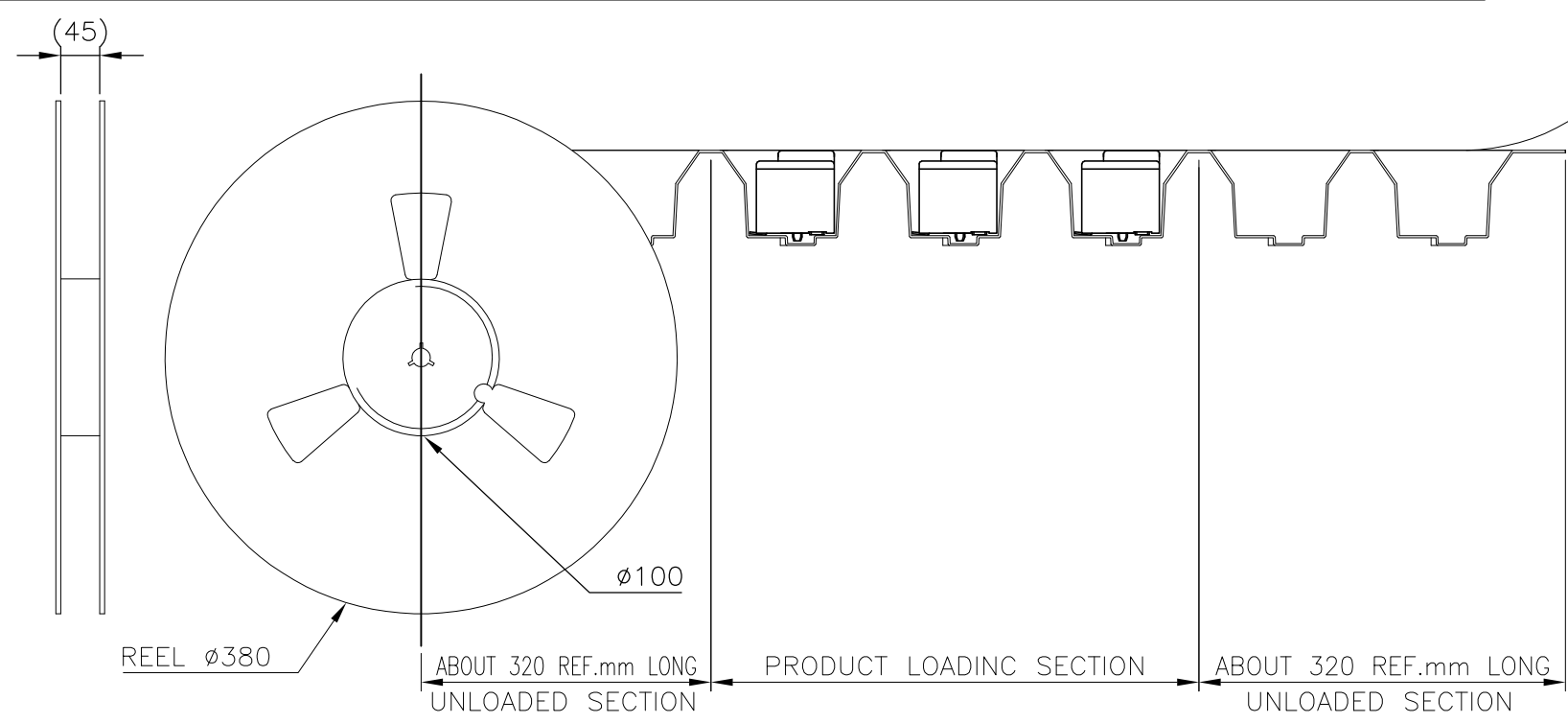
- MATERIAL:
  - HOUSING: PA9T, WITH 30% GF, UL94 V-0, BLACK COLOR.
  - INSERT HOUSING: PA9T, WITH 30% GF, UL94 V-0, BLACK COLOR.
  - PICK CAP: PA46, WITH 30% GF, UL94 V-0, BLACK COLOR.
  - CONTACTS: PHOSPHOR BRONZE.
  - HOLD DOWN: BRASS.
- FINISH:
  - CONTACTS: (SEE TABLE) GOLD PLATED ON CONTACT AREA, GOLD FLASH ON SOLDER TAIL, 1.27um [50u"] MIN. NICKEL UNDERPLATED OVERALL.
  - HOLD DOWN: 2.54um [100u"] MIN. MATTE TIN PLATED.
- REFLOW SOLDER CAPABLE TO 260°C PER TEC-109-201, CONDITION B.
- ⚠️ OBSOLETE PARTS: OBSOLETE CIS STREAMLINING PER D.RENAUD/D.SINISI

⚠️ OBSOLETE	8P8C	WITH	1.27µm [50µ"]	<del>2-1734858-8</del>
			0.76µm [30µ"]	<del>2-1734858-7</del>
			0.38µm [15µ"]	<del>2-1734858-6</del>
⚠️ OBSOLETE	8P8C	WITHOUT	0.15µm [6µ"]	<del>2-1734858-5</del>
			1.27µm [50µ"]	<del>2-1734858-4</del>
			0.76µm [30µ"]	<del>2-1334858-3</del>
			0.38µm [15µ"]	<del>2-1734858-2</del>
			0.15µm [6µ"]	<del>2-1734858-1</del>
	RJ45	PICK CAP	MIN.GOLD THICKNESS	PART NUMBER

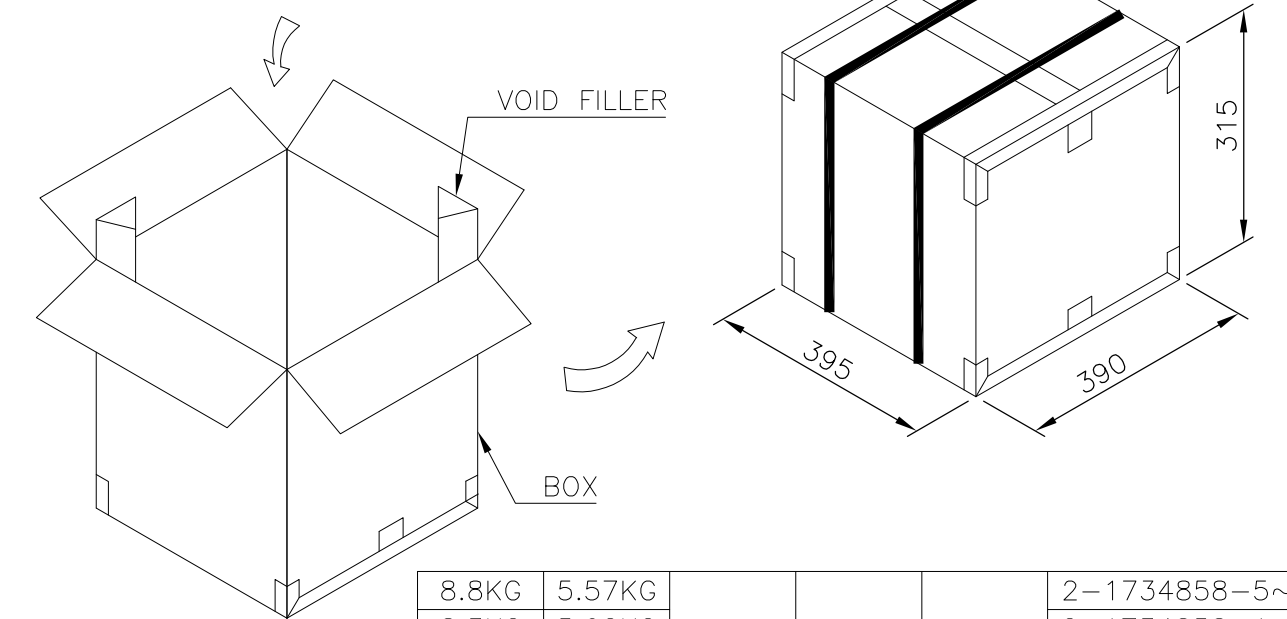
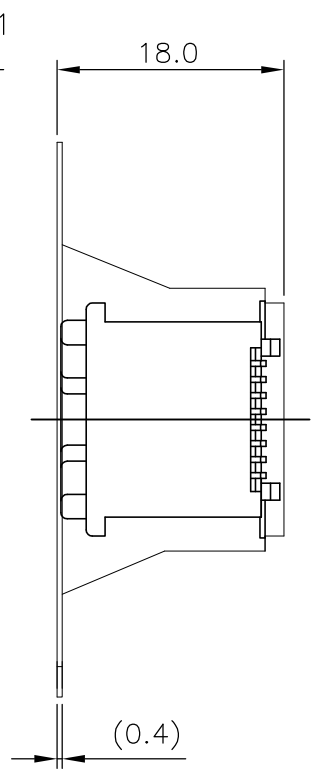
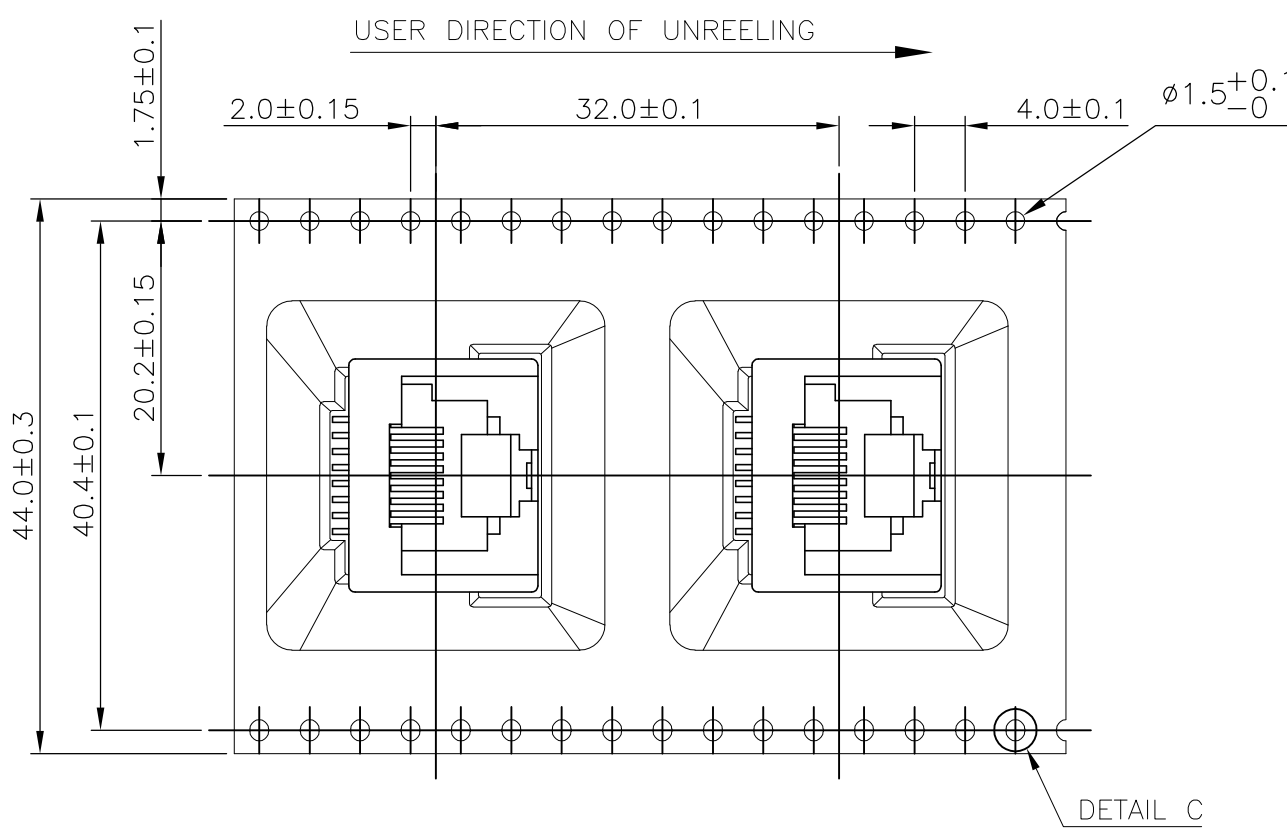
THIS DRAWING IS A CONTROLLED DOCUMENT.		DWN O. HU 06NOV2007			
		CHK S. HOU 06NOV2007			
		APVD W. KODAMA 06NOV2007	NAME		
DIMENSIONS: mm		TOLERANCES UNLESS OTHERWISE SPECIFIED:		108-57464	
		0 PLC ± -	PRODUCT SPEC		
		1 PLC ± 0.3	APPLICATION SPEC		
MATERIAL SEE NOTE		FINISH SEE NOTE	WEIGHT 3.3	SIZE A3	CAGE CODE 00779
CUSTOMER DRAWING			SCALE 1:1	DRAWING NO C-1734858	RESTRICTED TO -
			SHEET 2 of 3	REV B	

THIS DRAWING IS UNPUBLISHED. RELEASED FOR PUBLICATION  
 © COPYRIGHT - TE Connectivity ALL RIGHTS RESERVED.

REVISIONS					
P	LTR	DESCRIPTION	DATE	DWN	APVD
-	-	SEE SHEET 1	-	-	-

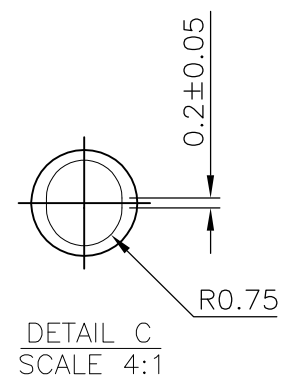
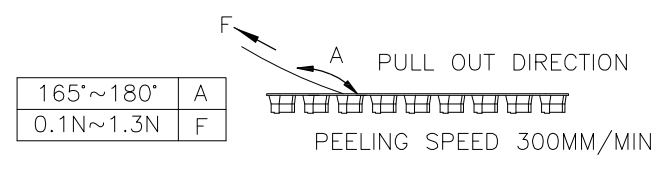


- NOTE:
- PACKAGING MATERIAL:
    - COVER TAPE: COMPOSITE OF POLYETHYLENE TEREPHTHALATE (PET)
    - CARRIER: POLYSTYRENE (PS)
    - CARRIER REEL: CORRUGATED FIBER
    - BAG: PE
    - BOX: CORRUGATED FIBER.
  - EACH BAG SHALL BE INCLUDED:
    - \*DESICCANT
  - PEELING STRENGTH: 0.1~1.3N(1~130 GRAMS) FOR 12~56mm WIDE CARRIER TAPES
  - PEELING SPEED: 300mm/MINUTES.



8.8KG	5.57KG				2-1734858-5~8
8.3KG	5.02KG				2-1734858-1~4
8.1KG	4.91KG	150	6	900	1-1734858-5~8
7.7KG	4.49KG				1-1734858-1~4
7.1KG	3.88KG				1734858-X
GROSS WEIGHT	NET WEIGHT	PCS/ REEL	REEL/ BOX	PCS/ BOX	PART NUMBER

\* COVER TAPE PEELING FORCE:



THIS DRAWING IS A CONTROLLED DOCUMENT.

DWN	O. HU	06NOV2007	TE Connectivity							
CHK	S. HOU	06NOV2007								
APVD	W. KODAMA	06NOV2007								
PRODUCT SPEC	108-57464									
APPLICATION SPEC	-		NAME: MODULAR JACK RJ45/RJ11 TOP ENTRY, SMT TYPE							
MATERIAL	SEE NOTE	FINISH	SEE NOTE	WEIGHT	3.3					
CUSTOMER DRAWING			SIZE	A3	CAGE CODE	00779	DRAWING NO	C-1734858	RESTRICTED TO	-
			SCALE	1:1	SHEET	3 OF 3	REV	B		