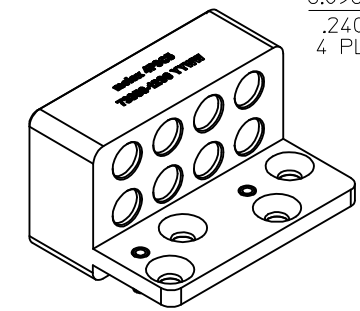
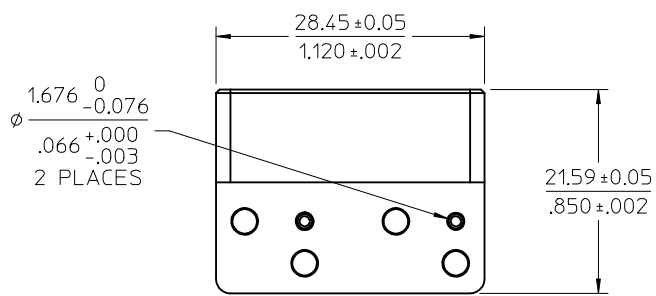
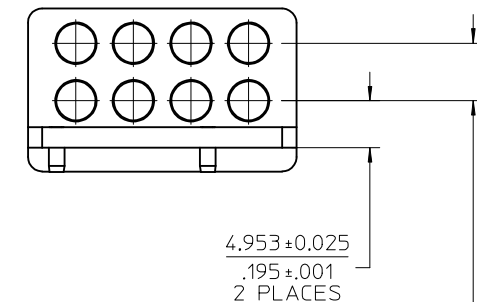
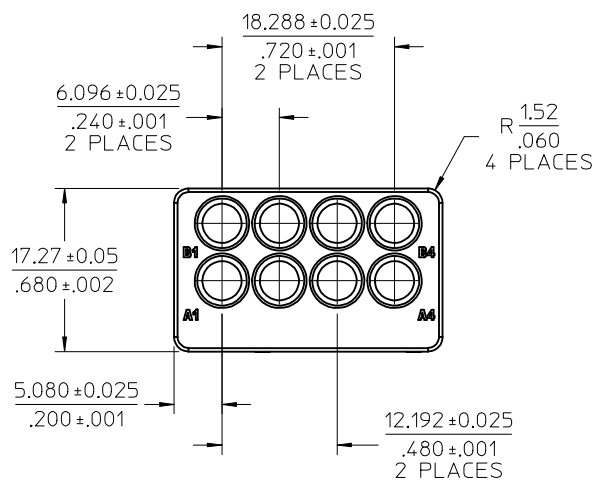
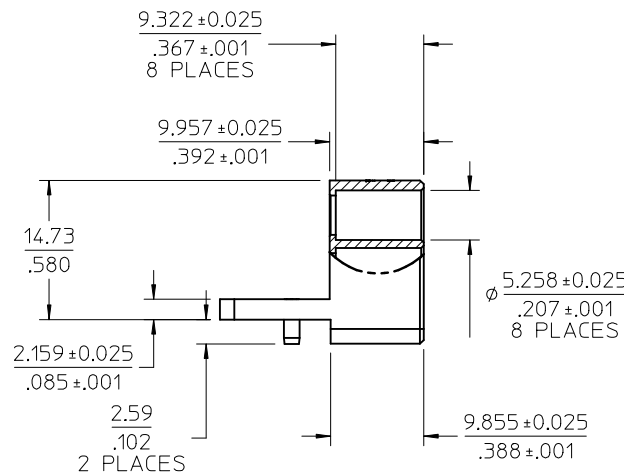
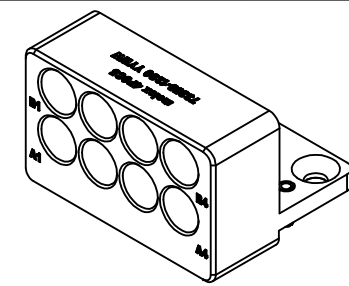
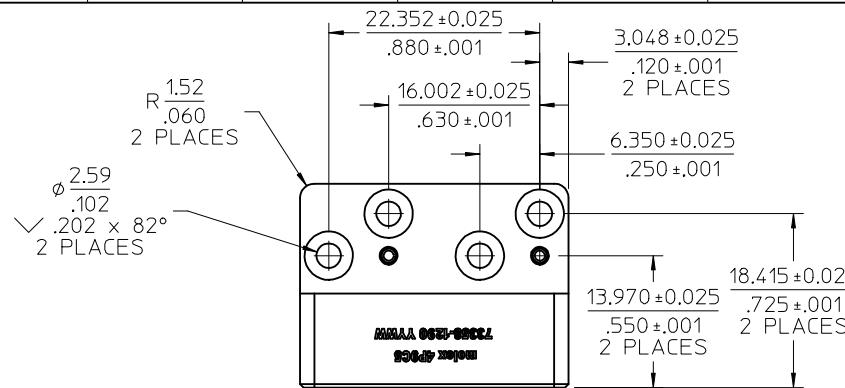


MATERIALS AND FINISHES

HOUSING: ALUMINUM 6061
PLATED ELECTROLESS NICKEL

ALIGNMENT PINS: STAINLESS STEEL
PASSIVATED



PART # 73358-1290
SEE PS-89675-470 FOR PCB LAYOUT & PLACEMENT

ANSI/VITA 67.2	NATIONAL STANDARD
PS-89675-470	PRODUCT SPECIFICATION
SPECIFICATION	DESCRIPTION

CHG: UPDATE VIEWS TO SHOW CHANGES TO BLOCK. EC NO: URF2016-0744 DRWN:BSHAH 2016/05/02 CHKD:SSS 2016/05/02 APPR:AROBERTSON 2016/05/04 B1	QUALITY SYMBOLS ∇=0 ∇=0 ∇=0	GENERAL TOLERANCES (UNLESS SPECIFIED) 4 PLACES ± --- ± --- 3 PLACES ± --- ± --- 2 PLACES ± --- ± --- 1 PLACE ± --- ± --- 0 PLACE ± --- ± --- ANGULAR ± 2° DRAFT WHERE APPLICABLE MUST REMAIN WITHIN DIMENSIONS	DIMENSION STYLE MM/IN	SCALE INCH	DESIGN UNITS INCH	THIRD ANGLE PROJECTION	DRAWN BY AROBERTSON	DATE 2014/01/25	TITLE VITA 67.2 8 PORT MODULE FOR DAUGHTER CARD SMPM-VITA, EWR-5319 molex	
							CHECKED BY SSS	DATE 2014/01/25		
							APPROVED BY WSP INK	DATE 2014/02/06		
							MATERIAL NO. 733581290	DOCUMENT NO. SD-73358-129		
							SHEET NO. 1 OF 1	THIS DRAWING CONTAINS INFORMATION THAT IS PROPRIETARY TO MOLEX INCORPORATED AND SHOULD NOT BE USED WITHOUT WRITTEN PERMISSION		