

Catalog #:	
Project :	
Type :	Date:
Notes:	

LED WAFER RECESSED DOWN LIGHT

TL-SPL1™ SERIES

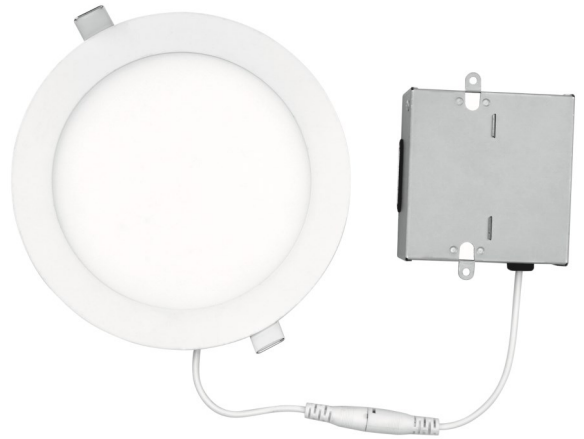
LED 5CCT Ultra Slim Downlight Retrofit Kit 4 & 6 inch

DESCRIPTION

Led Wafer Recessed Downlight engineered for demanding commercial applications. Save up to 80% in energy cost. 100% Mercury & Lead Free.

APPLICATIONS

Ideal for lighting malls, hospitals, hotels, and retail spaces. Replaces CFL & HID or Incandescent downlights for higher energy savings & aesthetics.



QUICK SHIP:

TL-SPL1R4-9W-5CCT
TL-SPL1R6-12W-5CCT

WARM WHITE	2700K
SOFT WHITE	3000K
NEUTRAL WHITE	3500K
BRIGHT WHITE	4000K
DAYLIGHT	5000K



Specification Features

Controls / Dimming

High quality internal driver; Triac dimming; Flicker free. Frosted Lens and Base with junction box, and Suitable for damp locations. SMD2835. Beam angle is 110°. 50,000+ working hours.

Warranty

5 Years Limited Warranty. See warranty documentation for more information.

Certification

It complies with Energy Star Rated, ETL Certified and FCC Compliance.

Installation / Mounting

LED wafer recessed downlight retrofit is supplied with a quick connect-case and conduit to make an easy connection to an existing recessed fixture frame junction box. Beam angle is 110°. Instant start w/NO humming.

Ordering Information

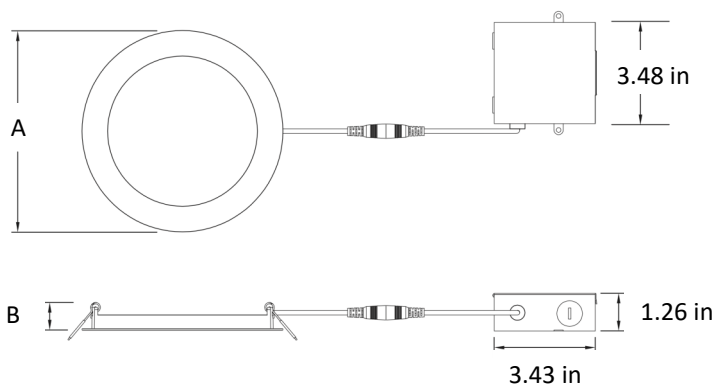
Example: TL-SPL1R4-9W-5CCT

TL	SPL1	R4	9W	5CCT	[BLANK]
Brand	Series	Diameter	Nominal Wattage	Color Temp	Diffuser Type
TL TechnoLED	SPL1 LED Slim Panel Light	4	4 Inch	80+ CRI minimum, white tuning, selectable 5CCT 2700K-5000K	[Blank] Frosted
		6	6 Inch		
			4-inch 9W	9 Watt	
			6-inch 12W	12 Watt	
				2700K 3000K 3500K 4000K 5000K	5CCT Switch
					[Blank] 120V

Lighting Parameters

Input Voltage	120V
CCT	2700K/3000K/3500K/4000K/5000K
CRI	>80
Lumens	680Lm (9W) / 1,100Lm (12W)
PF	>0.9
Frequency	60Hz
Current	90mA
Angle	110°
Product size	4 inch / 6 inch
Certification	ETL, ES

Part Number	Size	Watt	Lumens
TL-SPL1R4-9W-5CCT	4in	9W	680 Lm
TL-SPL1R6-12W-5CCT	6in	12W	1,100 Lm



Part Number	A	B
TL-SPL1R4-9W-5CCT	4.8 in	0.87 in
TL-SPL1R6-12W-5CCT	6.81 in	0.94 in

Lighting facts

Per Trim

Brightness 1,100 lumens

Energy Used 12 Watts

Estimated Yearly Energy Cost \$1.82

Based on 3 Hrs/Day \$0.11/kwh

Actual cost base on utility rate and use

Life 31.9 years

Recommended Dimmers:

Lutron

DVW-603PGH-WH

CTCL-153P-WH

MSCL-OP153M-WH

DVCL-153P-WH

MACL-153MR-WH

PD-6WCL-WH

SCL-153P-WH

Leviton

6672-1LW

6674-P0W

IPL06-10Z

DSL06-1LZ

Designed for Indoor Use. Starting temperature -40 °C (-40 °F).

APPLICATION NOTES

- Operating temperature range between -4°F and +104°F (-20°C and +40°C).
- For indoor/outdoor use, including dry, damp and wet location environments.
- Designed to install in standard 4" and 6" housing. This device is not intended for use with Emergency Lighting.
- Compatible Triac dimming models:
- Warranty: This product is free from defect due to workmanship for a period of three (3) years. If it fails to do so please contact us with proof of purchase for a return authorization.

INSTALLATION INSTRUCTION

- STEP 1: Shut off power before work.
- STEP 2: Remove mounting bracket and plate from inside and existing recessed housing.
- STEP 3: Connect with Driver
- STEP 4: Place the driver in the cutout first
- STEP 5: Squeeze the snap springs together and install into cutout.
- STEP 6: Push the light into ceiling Carefully routing wires / Driver into upward to ceiling

