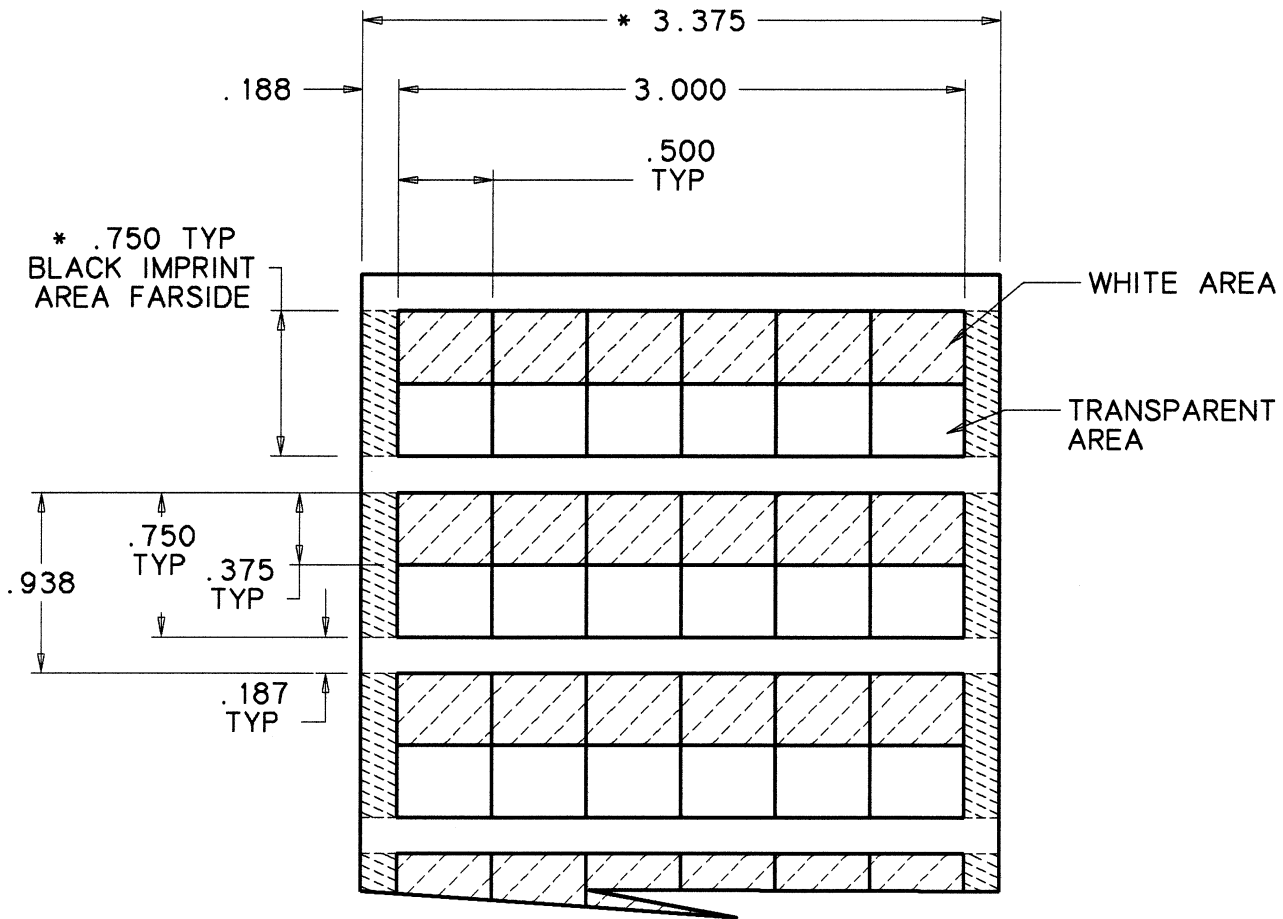


name	date	city, state

NOTES

* DIMENSIONS FOR FAR SIDE OF RELEASE LINER



ROLL DISPENSING FEED DIRECTION



10,000 WHITE/TRANSPARENT LABELS PER ROLL
6 ACROSS ON A 3" CORE

REVISION	level	A
	by	AAM
	date	12/7/98
	ECN #	000943
part level	A	

DIMENSIONS	.XXXX=	
	.XXX= ± .010	
	.XX=	
	.X=	
	∠=	
unless otherwise specified		
units	inches	

PART	number	TAG26T6-100B	phase	PRODUCTION
	name	TAG26T6-100B THERMAL TRANSFER SELF-LAMINATING LABEL		
	material	100 CLEAR VINYL ON A 50 LB LINER		

DRAWING	FORMAT AV version J	CAD	PD	scale	1X
	computer file number	LANDTL3002118A			
	drawn by	A. A. M.	checked	approved	
	date	12/7/98	checked	12/11/98	approved
	type	DETAIL		sheet	1 of 1
number	LA3002118DTL				