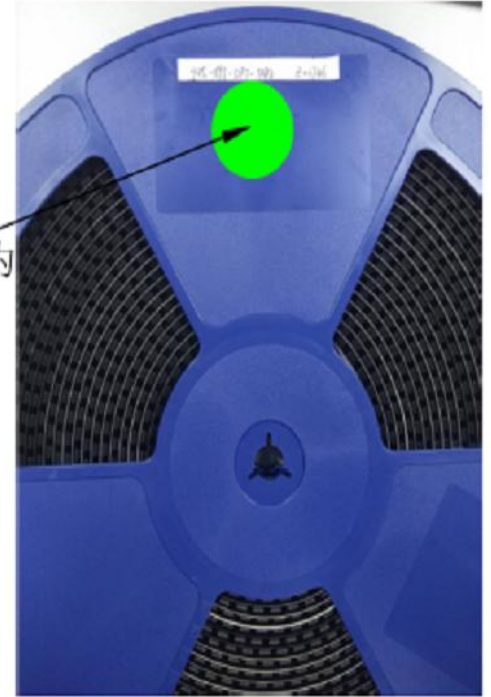
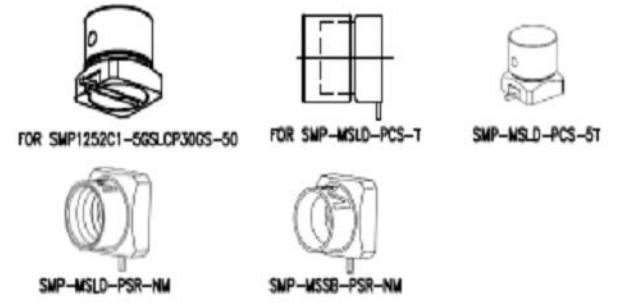
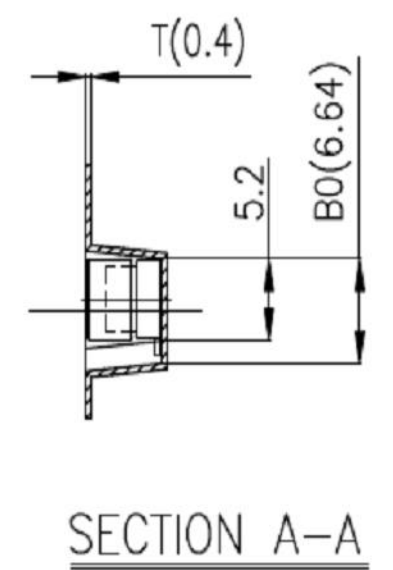
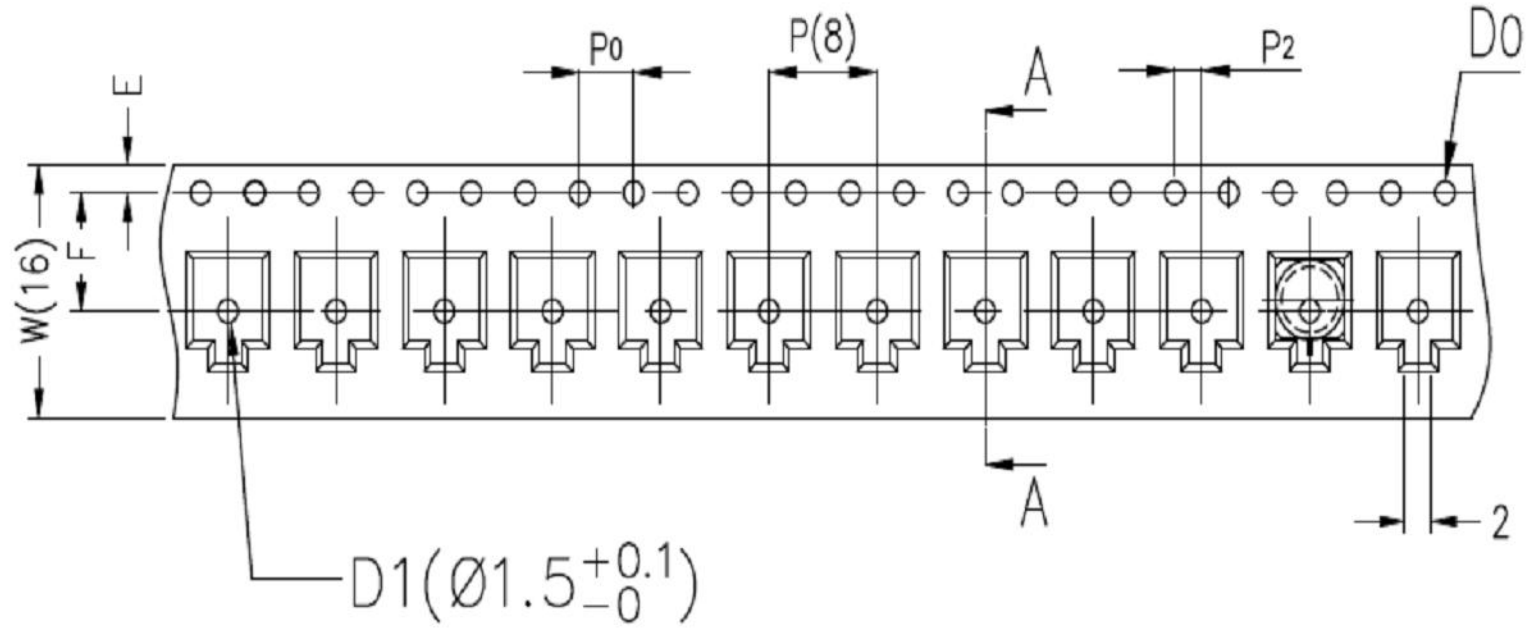


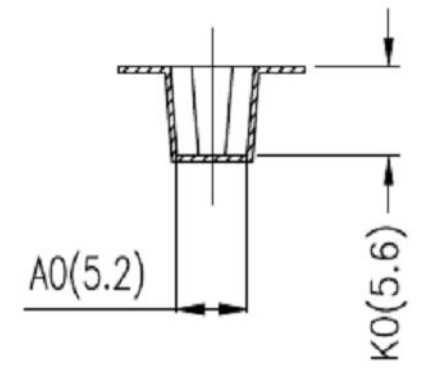
REVISIONS				
REV	DESCRIPTION	DATE	ECN	BY
A	RELEASE TO MFG.	17-Nov-22	16309	SH



此款圆形标识颜色为草绿色



用户取件方向
USER DIRECTION OF FEEDING



1. 10 sprocket hole pitch cumulative tolerance $\pm 0.20\text{mm}$.
2. Carrier camber not to exceed 1mm in 250mm.
3. A_0 and B_0 measured on a plane 0.3mm above the bottom of the pocket.
4. K_0 measured from a plane on the inside bottom of the pocket to the top surface of the carrier.
5. All dimensions meet EIA-481-D requirements.
6. Material: Black Conductive Polystyrene.
7. Thickness: $0.40 \pm 0.05\text{ mm}$.
8. Packing length per 13" reel : 11.8 Meters.
9. Component loader per 13" reel : 1400 pcs.

注:未注公差为 ± 0.10 .
NOTE: ALL TOLERANCES ARE: ± 0.10 , EXCEPT WHERE NOTED

ITEM	W	A_0	B_0	K_0	K_1	P	F	E	D_0	D_1	P_0	P_2	T
DIM	16 ± 0.3	5.2 ± 0.1	6.64 ± 0.1	5.6 ± 0.1		8 ± 0.1	7.5 ± 0.1	1.75 ± 0.1	$1.5^{+0.1}_{-0.00}$	$1.5^{+0.1}_{-0.00}$	4 ± 0.1	2 ± 0.1	0.4 ± 0.05

NOTICE: These drawings, specifications, or other data (1) are, and remain the property of Amphenol corp. (2) must be returned upon request; and (3) are confidential and not to be disclosed to any person other than those to whom they are given by Amphenol Corp. The furnishing of these drawings, specifications, or other data by Amphenol Corp., or to any other person for any purpose is not to be regarded by implication or otherwise in any manner licensing, granting rights to permitting such holder or any other person to manufacture, use or sell any product, process or design, patented or otherwise, that may in any way be related to or disclosed by said drawings, specifications, or other data.

THIRD ANGLE PROJ. REFERENCE EAR# 8889

UNLESS OTHERWISE SPECIFIED DIMENSIONS ARE METRIC (INCHES) AND TOLERANCES ARE:
 $< 0.5\text{mm} = \pm 0.05\text{mm}$ [$< 0.020 = \pm 0.002$]
 $0.5 - 6\text{mm} = \pm 0.1\text{mm}$ [$0.020 - 0.236 = \pm 0.004$]
 $> 6.00 - 30\text{mm} = \pm 0.2\text{mm}$ [$0.236 - 1.181 = \pm 0.008$]
 $> 30.00 - 120\text{mm} = \pm 0.3\text{mm}$ [$1.181 - 4.725 = \pm 0.012$]

ANGLES = $\pm 1^\circ$

MATERIAL

ENGR.1 S.VO ENGR.2 L.QIN DATE 02-MAR-22

TITLE
SMP STR JACK PCB RECEPTACLE
SMOOTH BORE SURFACE MOUNT
NON-MAGNETIC
TAPE & REEL PACKED

SHEET NO. 3 OF 3 SCALE: 22.0:1.0

Amphenol RF

SIZE B DRAWING NO. SMP-MSSB-PSR-NM ITEM NO. SMP-MSSB-PSR-NM PART NO. SMP-MSSB-PSR-NM REV A