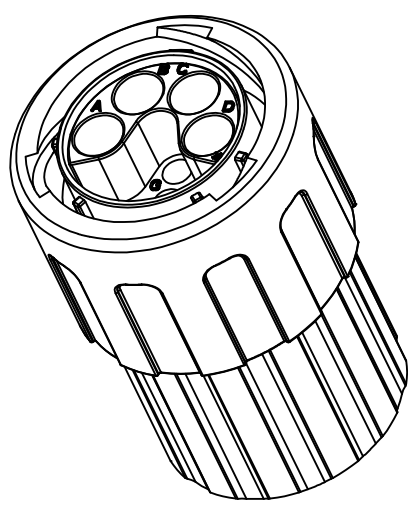
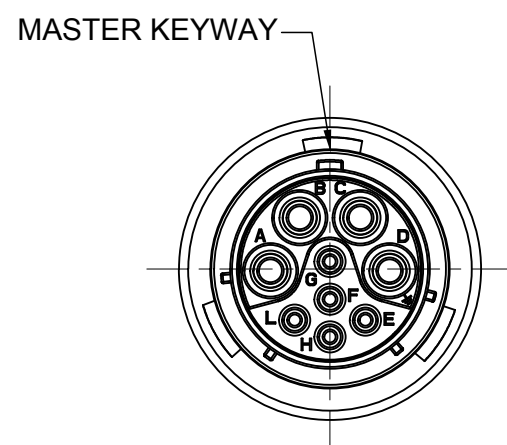
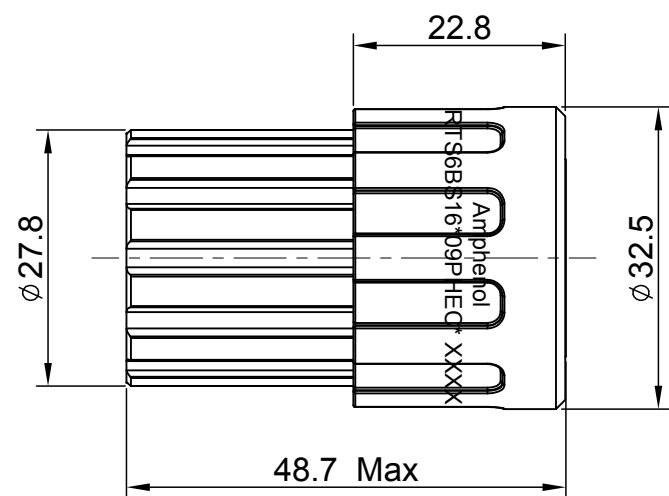


| REVISIONS |     |                |             |      |       |
|-----------|-----|----------------|-------------|------|-------|
| REV       | ECO | DESCRIPTION    | DATE        | BY   | APPR  |
| A1        | --  | FIRST RELEASED | Mar-26-2017 | Ben  | Tommy |
| A2        | --  | UPDATE NOTES   | Jul-05-2017 | Nick | Tommy |
| A3        | --  | UPDATE DRAWING | Jan-24-2018 | Nick | Tommy |



NOTES : (UNLESS OTHERWISE SPECIFIED)

- MATERIAL :
  - SHELL : THERMOPLASTIC , UL94 V-0.
  - INSERT : THERMOPLASTIC , UL94 V-0.
  - COUPLING NUT : THERMOPLASTIC , UL94 V-0.
  - O-RING : NBR OR SILICONE RUBBER.
  - WASHER: SILICONE RUBBER
  - END CAP : THERMOPLASTIC , UL94 V-0.
  - PLASTC RING : THERMOPLASTIC , UL94 V-0.
  - WIRE SEAL : SILICONE RUBBER.
- SPECIFICATIONS :
  - RATED CURRENT :
    - 16# CONTACT 13A (MAX).
    - 2.5mm CONTACT 23A (MAX).
  - RATED VOLTAGE : 500V ( AC/DC ) .
  - OPERATING TEMPERATURE : SEE TABLE.
  - DIELECTRIC WITHSTANDING VOLTAGE : LESS THAN 2 MILLIAMPS CURRENT LEAKAGE@2000 VOLTS AC.
  - INSULATION RESISTANCE : 5000 MEGOHMS MIN.
  - IP-CLASS : IP67 AND IP69K.
  - MATING CYCLES DURABILITY : 500 CYCLES MIN.
  - RoHS COMPLIANT.
- SUITABLE CONTACTS : 16# & 2.5mm CONTACTS.
- ALL DIMENSIONS ARE FOR REFERENCE USE ONLY.
- CONTACT SIZE AND REAR SEAL WIRE RANGE :

| CONTACT SIZE | MIN. INSUL O.D. | MAX. INSUL O.D. | WIRE RANGE |
|--------------|-----------------|-----------------|------------|
| 16#          | ∅ 2.0mm         | ∅ 3.2mm         | 14 - 24AWG |
| 2.5mm        | ∅ 3.3mm         | ∅ 4.3mm         | 14 - 12AWG |

| KEY | PART NUMBER     |                   |
|-----|-----------------|-------------------|
|     | -40°C ~ 105°C   | -40°C ~ 125°C     |
| N   | RTS6BS16N09PHEC | RTS6BS16N09PHEC03 |

| QUANTITY  | PART NUMBER | DESCRIPTION  | ITEM     |            |      |             |             |              |             |                  |    |                 |             |
|---|-------------|--|----------|------------|------|-------------|-------------|--------------|-------------|------------------|----|-----------------|-------------|
| <b>MATERIALS LIST</b>   |             |  |          |            |      |             |             |              |             |                  |    |                 |             |
| UNLESS OTHERWISE SPECIFIED<br>1) All dimensions are in metric(mm).<br>2) Tolerances are as follows:<br>1 PL DEC ±0.30 Fractions ±1/64<br>2 PL DEC ±0.15 Angles ±1°<br>3 PL DEC ±0.08<br>3) Note reference = |             | <table border="1"> <thead> <tr> <th>SIGNATURES</th> <th>DATE</th> </tr> </thead> <tbody> <tr> <td>DRAWN: Nick</td> <td>Jan-24-2018</td> </tr> <tr> <td>CHECKED: Tod</td> <td>Jan-24-2018</td> </tr> <tr> <td>ENGINEER:</td> <td></td> </tr> <tr> <td>APPROVAL: Tommy</td> <td>Jan-24-2018</td> </tr> </tbody> </table> |          | SIGNATURES | DATE | DRAWN: Nick | Jan-24-2018 | CHECKED: Tod | Jan-24-2018 | ENGINEER:        |    | APPROVAL: Tommy | Jan-24-2018 |
| SIGNATURES  | DATE        |  |          |            |      |             |             |              |             |                  |    |                 |             |
| DRAWN: Nick   | Jan-24-2018 |  |          |            |      |             |             |              |             |                  |    |                 |             |
| CHECKED: Tod  | Jan-24-2018 |  |          |            |      |             |             |              |             |                  |    |                 |             |
| ENGINEER:   |             |  |          |            |      |             |             |              |             |                  |    |                 |             |
| APPROVAL: Tommy   | Jan-24-2018 |  |          |            |      |             |             |              |             |                  |    |                 |             |
| MATERIAL SPECIFICATIONS:  |             | <p style="text-align: center;"><b>Amphenol</b></p> <p>Sine Systems - www.amphenol-sine.com<br/>44724 Morley Drive<br/>Clinton Township, MI 48036</p>   |          |            |      |             |             |              |             |                  |    |                 |             |
| PROCESS SPECIFICATIONS:   |             | <p>ECO-MATE, PLUG, END CAP,<br/>9POS, PIN CONTACT, SIZE 16</p>   |          |            |      |             |             |              |             |                  |    |                 |             |
| NEXT ASSY:  |             | <table border="1"> <tr> <td>SIZE</td> <td>TYPE</td> <td>DWG NO:</td> <td>REVISION</td> </tr> <tr> <td>B</td> <td>C-</td> <td>RTS6BS16*09PHEC*</td> <td>A3</td> </tr> </table>  |          | SIZE       | TYPE | DWG NO:     | REVISION    | B            | C-          | RTS6BS16*09PHEC* | A3 |                 |             |
| SIZE  | TYPE        | DWG NO:  | REVISION |            |      |             |             |              |             |                  |    |                 |             |
| B   | C-          | RTS6BS16*09PHEC*   | A3       |            |      |             |             |              |             |                  |    |                 |             |
| SCALE: NONE   |             | SHEET 1 OF 1   |          |            |      |             |             |              |             |                  |    |                 |             |

TITLE: ECO-MATE, PLUG, END CAP, 9POS, PIN CONTACT, SIZE 16  
DWG NO: RTS6BS16\*09PHEC\*  
REV: A3  
SH: 1  
OF: 1

## ecomate® RM/RSSM/Aquarius™ - Contact Size 16 Options

| Crimp Contacts, Machined |            |       |                               |            |
|--------------------------|------------|-------|-------------------------------|------------|
| Part Number              |            | AWG   | Wire Range (mm <sup>2</sup> ) | Plating    |
| Male                     | Female     |       |                               |            |
| MP14M23F                 | MS14M23F   | 14    | 2.0-2.5                       | Gold Flash |
| MP14M23G5                | MS14M23G5  | 14    | 2.0-2.5                       | Gold 5μ"   |
| MP14M23G10               | MS14M23G10 | 14    | 2.0-2.5                       | Gold 10μ"  |
| MP14M23G15               | MS14M23G15 | 14    | 2.0-2.5                       | Gold 15μ"  |
| MP14M23G30               | MS14M23G30 | 14    | 2.0-2.5                       | Gold 30μ"  |
| MP16M23F                 | MS16M23F   | 18-16 | 0.75-1.5                      | Gold Flash |
| MP16M23G5                | MS16M23G5  | 18-16 | 0.75-1.5                      | Gold 5μ"   |
| MP16M23G10               | MS16M23G10 | 18-16 | 0.75-1.5                      | Gold 10μ"  |
| MP16M23G15               | MS16M23G15 | 18-16 | 0.75-1.5                      | Gold 15μ"  |
| MP16M23G30               | MS16M23G30 | 18-16 | 0.75-1.5                      | Gold 30μ"  |
| MP20M23F                 | MS20M23F   | 22-20 | 0.34-0.50                     | Gold Flash |
| MP20M23G5                | MS20M23G5  | 22-20 | 0.34-0.50                     | Gold 5μ"   |
| MP20M23G10               | MS20M23G10 | 22-20 | 0.34-0.50                     | Gold 10μ"  |
| MP20M23G15               | MS20M23G15 | 22-20 | 0.34-0.50                     | Gold 15μ"  |
| MP20M23G30               | MS20M23G30 | 22-20 | 0.34-0.50                     | Gold 30μ"  |
| MP24M23F                 | MS24M23F   | 26-24 | 0.14-0.25                     | Gold Flash |
| MP24M23G5                | MS24M23G5  | 26-24 | 0.14-0.25                     | Gold 5μ"   |
| MP24M23G10               | MS24M23G10 | 26-24 | 0.14-0.25                     | Gold 10μ"  |
| MP24M23G15               | MS24M23G15 | 26-24 | 0.14-0.25                     | Gold 15μ"  |
| MP24M23G30               | MS24M23G30 | 26-24 | 0.14-.025                     | Gold 30μ"  |

| Tooling, Machined |  |
|-------------------|--|
| Part Number       | Description                                  |
| QXRT16            | Contact Extraction Tool, #16 (Ø 1.6) Contact |
| MFY-3959          | Hand Crimp Tool for Machined Contacts        |
| MFY-3960          | Pneumatic Crimp Tool for Machined Contact    |

| Plating Options, All |  |
|----------------------|--|
| Symbol               | Plating                                    |
| T                    | Tin Plated (for Stamped & Formed Contacts) |
| S                    | Silver Plated 5Um (for Machined Contacts)  |
| F                    | Gold Plated                                |
| G5                   | Gold Plated (Thickness 5μ")                |
| G10                  | Gold Plated (Thickness 10μ")               |
| G15                  | Gold Plated (Thickness 15μ")               |
| G30                  | Gold Plated (Thickness 30μ")               |

| Crimp Contacts, Stamped & Formed |           |       |                               |            |
|----------------------------------|-----------|-------|-------------------------------|------------|
| Part Number                      |           | AWG   | Wire Range (mm <sup>2</sup> ) | Plating    |
| Male                             | Female    |       |                               |            |
| SP14M2F                          | SS14M2F   | 14    | 2.0-2.5                       | Gold Flash |
| SP14M2G5                         | SS14M2G5  | 14    | 2.0-2.5                       | Gold 5μ"   |
| SP14M2G10                        | SS14M2G10 | 14    | 2.0-2.5                       | Gold 10μ"  |
| SP14M2G15                        | SS14M2G15 | 14    | 2.0-2.5                       | Gold 15μ"  |
| SP14M2G30                        | SS14M2G30 | 14    | 2.0-2.5                       | Gold 30μ"  |
| SP16M2F                          | SS16M2F   | 18-16 | 0.75-1.5                      | Gold Flash |
| SP16M2G5                         | SS16M2G5  | 18-16 | 0.75-1.5                      | Gold 5μ"   |
| SP16M2G10                        | SS16M2G10 | 18-16 | 0.75-1.5                      | Gold 10μ"  |
| SP16M2G15                        | SS16M2G15 | 18-16 | 0.75-1.5                      | Gold 15μ"  |
| SP16M2G30                        | SS16M2G30 | 18-16 | 0.75-1.5                      | Gold 30μ"  |
| SP20M2F                          | SS20M2F   | 22-20 | 0.34-0.50                     | Gold Flash |
| SP20M2G5                         | SS20M2G5  | 22-20 | 0.34-0.50                     | Gold 5μ"   |
| SP20M2G10                        | SS20M2G10 | 22-20 | 0.34-0.50                     | Gold 10μ"  |
| SP20M2G15                        | SS20M2G15 | 22-20 | 0.34-0.50                     | Gold 15μ"  |
| SP20M2G30                        | SS20M2G30 | 22-20 | 0.34-0.50                     | Gold 30μ"  |
| SP24M2F                          | SS24M2F   | 26-24 | 0.14-0.25                     | Gold Flash |
| SP24M2G5                         | SS24M2G5  | 26-24 | 0.14-0.25                     | Gold 5μ"   |
| SP24M2G10                        | SS24M2G10 | 26-24 | 0.14-0.25                     | Gold 10μ"  |
| SP24M2G15                        | SS24M2G15 | 26-24 | 0.14-0.25                     | Gold 15μ"  |
| SP24M2G30                        | SS24M2G30 | 26-24 | 0.14-0.25                     | Gold 30μ"  |

| Tooling, Stamped & Formed |  |
|---------------------------|--|
| Part Number               | Description  |
| QXRT16                    | Contact Extraction Tool, #16 (Ø 1.6) Contact           |
| MFY-3954                  | Hand Tool, Stamped & Formed Contact, Size 16, 20-14AWG |
| MFY-3957                  | Crimp Die, Stamped & Formed Contact                    |

| Misc Tooling, All |                            |
|-------------------|----------------------------|
| Part Number       | Description                |
| CA-4020-59        | Sealing Plug, Size 16 & 20 |

| Standard Quantity Order Options |                   |
|---------------------------------|-------------------|
| Machined                        | Stamped & Formed  |
| Bulk Package, 500 Pieces        | Reel, 3000 Pieces |

## ecomate® RM/RSSM/Aquarius™ - Contact Size 12 Options

| Crimp Contacts, Machined |        |     |                               |         |
|--------------------------|--------|-----|-------------------------------|---------|
| Part Number              |        | AWG | Wire Range (mm <sup>2</sup> ) | Plating |
| Male                     | Female |     |                               |         |
| N/A                      |        |     |                               |         |

| Tooling, Machined |             |
|-------------------|-------------|
| Part Number       | Description |
| N/A               | N/A         |
| N/A               | N/A         |

| Plating Options, All |         |
|----------------------|---------|
| Symbol               | Plating |
| N/A                  | N/A     |

| Crimp Contacts, Stamped & Formed |         |       |                               |         |
|----------------------------------|---------|-------|-------------------------------|---------|
| Part Number                      |         | AWG   | Wire Range (mm <sup>2</sup> ) | Plating |
| Male                             | Female  |       |                               |         |
| SP12A1T                          | SS12A1T | 14-12 | 2.5-3.5                       | Tin     |

| Tooling, Stamped & Formed |  |
|---------------------------|--|
| Part Number               | Description  |
| QXRT12S                   | Contact Extraction Tool, 2.5mm Contact             |
| MFx-3962                  | Hand Tool, Stamped & Formed Contact, 2.5mm Contact |

| Misc Tooling, All |                       |
|-------------------|-----------------------|
| Part Number       | Description           |
| CA-4012-59        | Sealing Plug, Size 12 |

| Standard Quantity Order Options |                   |
|---------------------------------|-------------------|
| Machined                        | Stamped & Formed  |
| N/A                             | Reel, 1000 Pieces |