



Medical



FEATURES AND BENEFITS

3" x 5" x 1.4" Package	Ideal for 1U Applications
Class I and Class II Versions	Up to 275W of AC-DC Power
Universal Input 90VAC–264 VAC	Approved to CSA/EN/IEC/UL60601-1, 3 rd Edition, 2 x MOPP Isolation
Forced Current Share	5V Standby and 12V Fan Outputs
Inhibit, Power Fail, Output OK Signals	Efficiency 92% Typical
3 Year Warranty	RoHS Compliant



MODEL SELECTION

Model Number	Volts	Output Current*		Fan Output	Ripple & Noise ¹	Total Regulation	OVP Threshold
		w/200LFM air	Convection				
MINT1275A1214K01	12V	21.8A	15.0A	12Vdc/1.0A	120mV pk-pk	±3%	14.0 ± 1.1V
MINT1275A1514K01	15V	18.3A	12.0A	12Vdc/1.0A	150mV pk-pk	±3%	19.5 ± 1.5V
MINT1275A2414K01	24V	10.9A	7.50A	12Vdc/1.0A	240mV pk-pk	±3%	28.0 ± 2.5V
MINT1275A4814K01	48V	5.46A	3.75A	12Vdc/1.0A	480mV pk-pk	±3%	55.0 ± 4.0V
MINT1275A5614K01	56V***	4.68A	3.21A	12Vdc/1.0A	560mV pk-pk	±3%	59.0 ± 1.0V

Notes:

- * Total convection power is 180 Watts.
- ** Measured with noise probe directly across output terminals, and load terminated with 0.1µF ceramic and 10µF low ESR capacitors.
- *** No Output adjustment on 56V model.



INPUT

AC Input	100VAC–240VAC, ±10%, 47Hz–63Hz, 1Æ, 120Vdc–370Vdc
Input Current	115VAC: 3A, 230VAC: 1.5A, 3.7A max at 90VAC
Inrush Current	264VAC, cold start: will not exceed 50A
Input Fuses	F1, F2: 5A, 275VAC fuses provided on all models
Earth Leakage Current	<275µA@264VAC, 60Hz, NC; <400µA SFC
Efficiency	92% typical

RELIABILITY

MTBF	465,000 hours, 275W load, 25°C Ambient, 110VAC input
------	--

SAFETY

Safety Standards	EN/CSA/UL/IEC 60601-1, 3 rd Edition
------------------	--

PROTECTION

Oversoltage Protection	OVP latch at 110%–130% of rated output voltage
Short Circuit Protection	Provided - no damage will occur if the output is shorted. Hiccup Mode
Overload Protection	120%–150% of rating, Hiccup Mode

ISOLATION

Isolation	Input-Output: 4000VAC, 2 x MOPP Input-Ground: 1800VAC, 1 x MOPP Output-Ground: 1500VAC
-----------	--

OUTPUT

Output Voltage	See chart
Output Power	275W continuous, with 200 lfm airflow, 180W convection cooled – See chart for specific voltage model ratings
Turn On Time	Less than 2 sec. @115VAC (inversely proportional to input voltage and thermistor temperature)
Hold-up Time	>16mS at 250W, 120VAC
Ripple and Noise	See chart
Total Regulation	±3%. See chart
Switching Frequency	PFC: Variable, 30kHz–400kHz Main Converter: Variable 30kHz–250kHz, 65Hz–70kHz at full load
Minimum Load	Not required
Transient Response	500µS typ. for return to within 0.5% of nominal, 50% load step. $\Delta V/\Delta t < 0.2A/\mu S$. Max Volt Deviation = 3%
Voltage Adjustability	±5% from nominal

AUXILIARY SIGNALS

Standby Output	5V @ 200mA
DC OK	Open collector logic signal goes and stays HIGH 100mS to 500mS after main output reaches regulation
AC Power Fail	Goes LOW with 5mS warning before loss of DC output after loss of AC power
Fan Output	12V @ 1A
Inhibit	Connect to inhibit pin (J201 pin 5) to output common to inhibit the DC output
Current Share	Forced Current Sharing provided for up to 5 units connected in parallel
Remote Sense	Compensates for up to 250mV drop in load lines



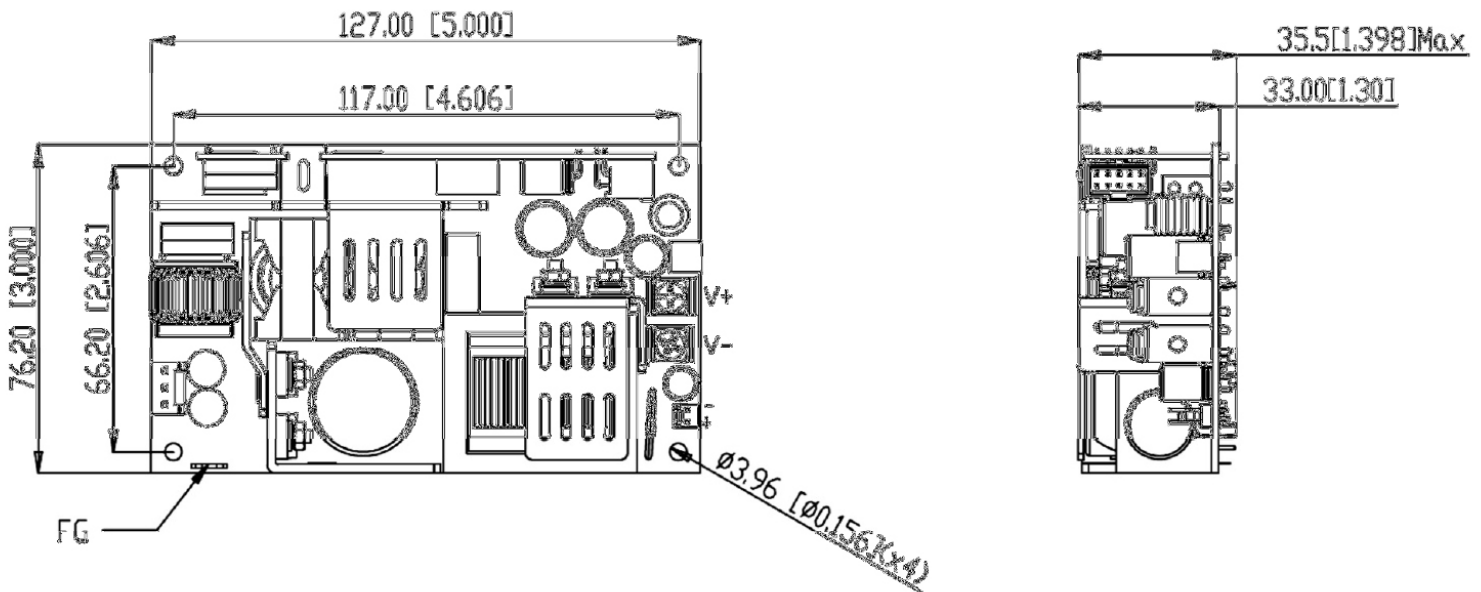
ENVIRONMENT

Operating Temperature	-10°C to +70°C, Start Up at -40°C, full load
Relative Humidity	5% to 95%, non-condensing
Weight	325 grams
Dimensions	W: 3.0" x L: 5.0" x H: 1.4"(max. measured from bottom of the board to top of components)
Altitude	Operating: -500 ft to 10,000 ft. Non-operating: -500 ft to 40,000 ft.
Storage Temperature	-40°C to +85°C
Vibration	Operating: 0.003g ² /Hz, 1.5grms overall, 3 axes, 10 min/axis Non-Operating: 0.026g ² /Hz, 5.0grms overall, 3 axes, 1 hr/axis
Shock	Operating: Half-sine, 20gpk, 10ms, 3 axes, 6 shocks total Non-Operating: Half-sine, 40 gpk, 10 ms, 3 axes, 6 shocks total
Temperature Derating	Derate output power linearly above 50°C to 50% at 70°C

EMI/EMC COMPLIANCE

Conducted Emissions	EN55011/22 Class B, FCC Part 15, Subpart B, Class B
Radiated Emissions	EN55011/22 Class A; FCC Part 15, Subpart A, Class A w/6db margin
Static Discharge Immunity	EN61000-4-2, 6kV Contact Discharge, 8kV air discharge
Radiated RF Immunity	EN61000-4-3, 3V/m
EFT/Burst Immunity	EN61000-4-4, 2kV/5kHz
Line Surge Immunity	EN61000-4-5, 1kV differential, 2kV common-mode
Conducted RF Immunity	EN61000-4-6, 3Vrms
Power Frequency Magnetic Field Immunity	EN61000-4-8, 3A/m
Voltage Dip Immunity	EN61000-4-11, 0% Vin, 0.5cycle; 40% Vin, 5 cycles; 70% Vin, 25 cycles
Line Harmonic Emissions	EN61000-3-2, Class A, B, C, & D
Flicker Test	EN61000-3-3, Complies (dmax<6%)

MECHANICAL DRAWINGS



Notes:

1. All dimensions in inches (mm), tolerance is +/-0.02".
2. Mounting holes should be grounded for EMI purposes.
3. FG is safety ground connection.
4. The power supply requires mounting on metal standoffs 0.20" (5mm) in height, min.



CONNECTOR INFORMATION

Input Connector	Ground	DC Output Connector	Fan Output Connector	Signal Connector	
PIN 1) AC LINE PIN 2) EMPTY PIN 3) AC NEUTRAL	0.250" FASTON TAB	Term. 1: +Vout Term. 2: -Vout	PIN 1) +12Vfan RTN PIN 2) +12V fan	PIN 1) Remote Sense (+) PIN 2) Common PIN 3) Remote Sense (-) PIN 4) Current Share PIN 5) Inhibit	Pin 6) Common Pin 7) Power Good Pin 8) +5Vsb Pin 9) DC OK Pin 10) +5Vsb RTN
Mating Connector: Molex 09-50-3031 Pins= 08-52-0072	Mating Connector: Molex 01-90020001	Mating Connector: Molex 19141- 0058/0063/0083	Mating Connector: Molex 22-01-3027 Pins: 08-50-0114	Mating Connector: Molex 90142-0010 Pins: 90119-2109 or 2120	

FAN OUTPUT

J301 provides a 12V@1A output to support a system cooling fan.

AC POWER FAILURE/DC OK, CURRENT SHARE AND INHIBIT SIGNALS - J201

1. Power fail/DC OK

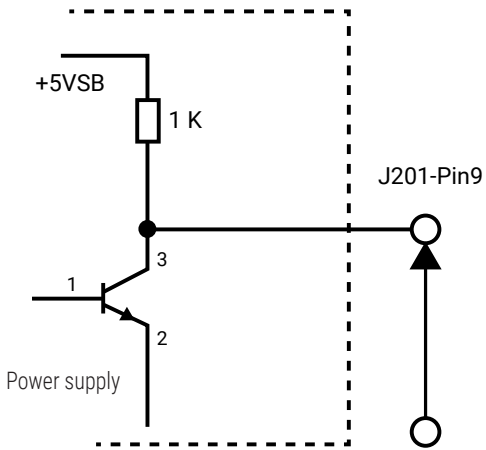


Figure 1

DC OK: During normal operation stays HIGH
goes HIGH 100-500 mS after main output
goes LOW with 5mS warning before loss of output from AC failure



AC POWER FAILURE/DC OK, CURRENT SHARE AND INHIBIT SIGNALS - J201

2. Inhibit

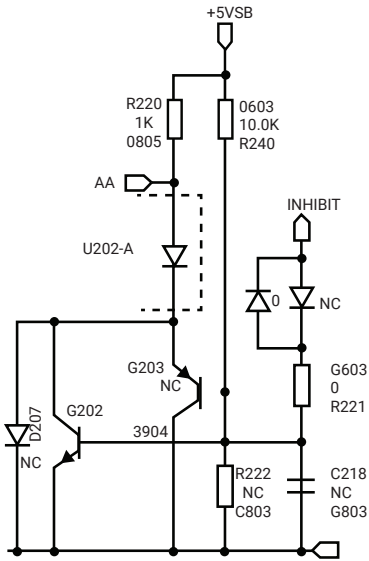


Figure 2

Remote inhibit control of the DC output.

J201 pin 5 open = ON
J201 pin 5 LOW or GND = OFF

3. Current Sharing/Remote Sense

The outputs of N+1 (N=1,2...5) models can be shared. It is shown in Figure 3, one load-share controller is required for each model and circuits are identical when N+ 1 identical models are used.

Terminals J302 and J303 are connected to the Vo+ and Vo-, respectively, of the first power model. The Vo+ and Vo- correspond to the other models positive and negative output pins. The Vo+ connects to positive output bus to the load and Voconnects the negative output bus to the load.

The J201 pin1 and pin3 connects to the S+ and S-, respectively, of the first power models. The S+ and S- correspond to the other models J201 pin1 and pin3. The S+ connects to positive output bus and S- connects to negative output bus.

Remote Sense < 250mV drop compensation:

The J201 Pin4 connects to current sharing bus that it connects to other models J201 pin4.

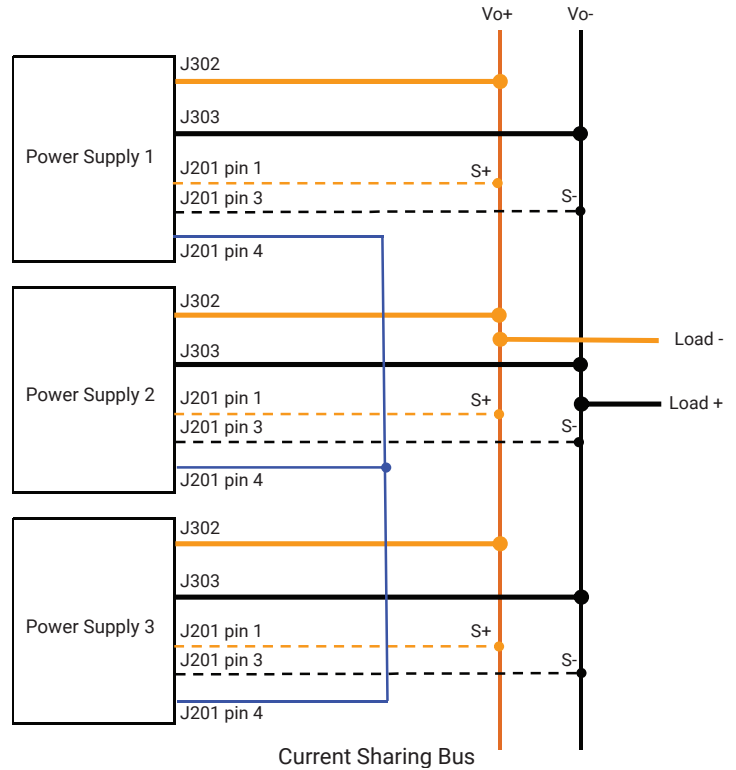
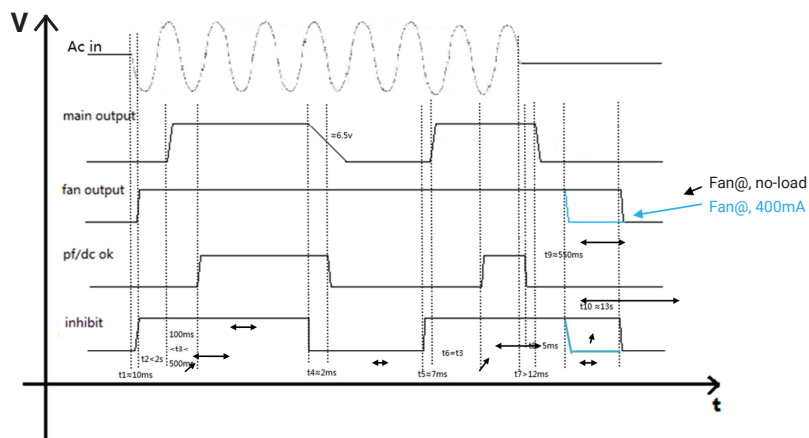


Figure 3 Current Share Method



TIMING SEQUENCE



ISOLATION SPECIFICATIONS

Parameter	Conditions/Description	Min	Nom	Max	Units
Insulation Safety Rating	Input/Ground Input/Output Output/Ground		Basic (1 MOPP) Reinforced (2 MOPP) Operational		
Electric Strength Test Voltage	Input/Ground Input/Output Output/Ground	1800 4000 1500	-	-	VAC VAC VAC

INPUT SPECIFICATIONS

Parameter	Conditions/Description	Min	Nom	Max	Units
Input Voltage		90	115/230	264	VAC
Turn-On Input Voltage	Ramping up		80		VAC
Turn-Off Input Voltage	Ramping down		75		VAC
Input Frequency		47	50/60	63	Hz
Inrush Current Limitation	264VAC, cold start	-	-	50	A
Power Factor	V_i nom, I_o nom	0.9	-	-	
Efficiency	V_i nom, I_o nom MINT1275A1214K01 MINT1275A1514K01 MINT1275A2414K01 MINT1275A4814K01 MINT1275A5614K01	-	92%	-	%

All specifications apply over specified input voltage, output load, and temperature range, unless otherwise noted.



OUTPUT SPECIFICATIONS

Parameter	Conditions/Description	Min	Nom	Max	Units
Output Voltage Setpoint Accuracy MINT1275A1214K01	$V_{i\ nom}, I_{o1}$ @ ADC, TC = 25 °C	-3	-	3	% $V_{o\ nom}$
Output Voltage Setpoint Accuracy MINT1275A1514K01	$V_{i\ nom}, I_{o1}$ @ ADC, TC = 25 °C	-3	-	3	% $V_{o\ nom}$
Output Voltage Setpoint Accuracy MINT1275A2414K01	$V_{i\ nom}, I_{o1}$ @ ADC, TC = 25 °C	-3	-	3	% $V_{o\ nom}$
Output Voltage Setpoint Accuracy MINT1275A4814K01	$V_{i\ nom}, I_{o1}$ @ ADC, TC = 25 °C	-3	-	3	% $V_{o\ nom}$
Output Voltage Setpoint Accuracy MINT1275A5614K01	$V_{i\ nom}, I_{o1}$ @ ADC, TC = 25 °C	-3	-	3	% $V_{o\ nom}$
Output Current V1 Output Current V2	MINT1275A1214K01	0 0	15.0 -	21.8 1.0	ADC ADC
Output Current V1 Output Current V2	MINT1275A1514K01	0 0	12.0 -	17.47 1.0	ADC ADC
Output Current V1 Output Current V2	MINT1275A2414K01	0 0	7.5 -	10.9 1.0	ADC ADC
Output Current V1 Output Current V2	MINT1275A4814K01	0 0	3.75 -	5.46 1.0	ADC ADC
Output Current V1 Output Current V2	MINT1275A5614K01	0 0	3.21 -	4.68 1.0	ADC ADC
Static Line Regulation V1	$V_{i\ min}$ - $V_{i\ max}$, $V_{i\ nom}$, 0%–100% $I_{o\ nom}$	-1	-	1	% $V_{o\ nom}$
Static Load Regulation V1 (Droop Characteristic)	$V_{i\ min}$ - $V_{i\ max}$, $V_{i\ nom}$, 0%–100% $I_{o\ nom}$	-3	-	3	% $V_{o\ nom}$
Hold-Up Time	Starting at $V_{i\ nom}$ = 230 VAC, $P_{o\ nom}$	-	16	-	mS
Dynamic Load Regulation	Load change =50%, di/dt =0.2A/ μ S voltage deviation 3%	0	-	3	% $V_{o\ nom}$
Start-Up Time	$V_{i\ nom}$, $I_{o\ nom}$	0	-	2	s
Start-Up Time	$V_{i\ nom}$, $I_{o\ nom}$	0	-	2	s

PROTECTION

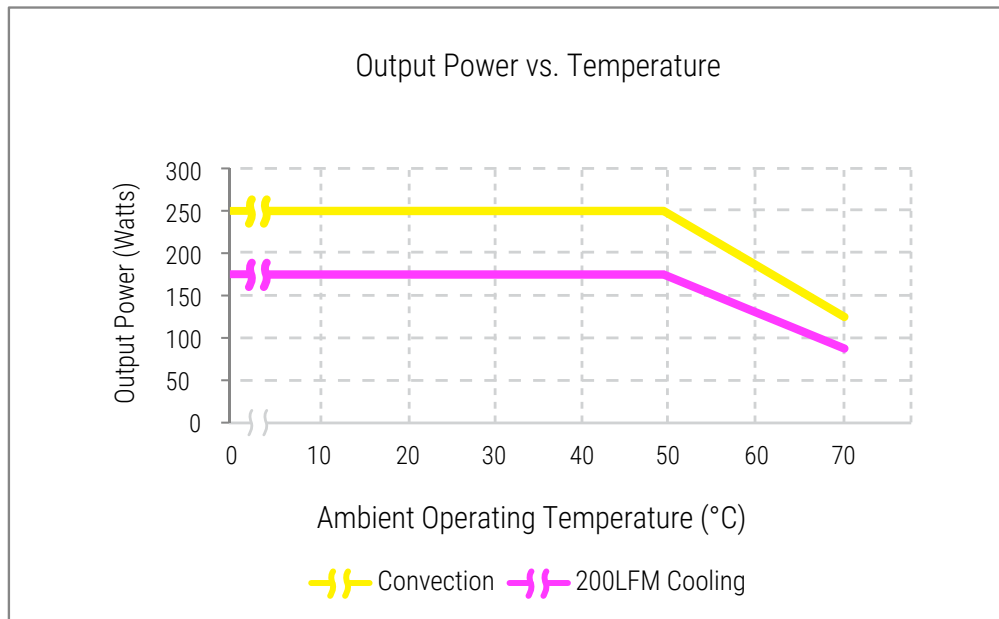
Parameter	Conditions/Description	Min	Nom	Max	Units
Input Fuse	Not user accessible				
Input Transient Protection	2KV(CM) and 1KV(DM) surge			2	KV(CM)
Output	No-load and short circuit proof			Hiccup	
	Short circuit proof			Hiccup	
	Overload (latch style)			Hiccup	
Overvoltage Protection	Latch style			Latch	
Over temperature Protection	Automatic power shutdown at TC =135°C				



CHARACTERISTIC CURVES

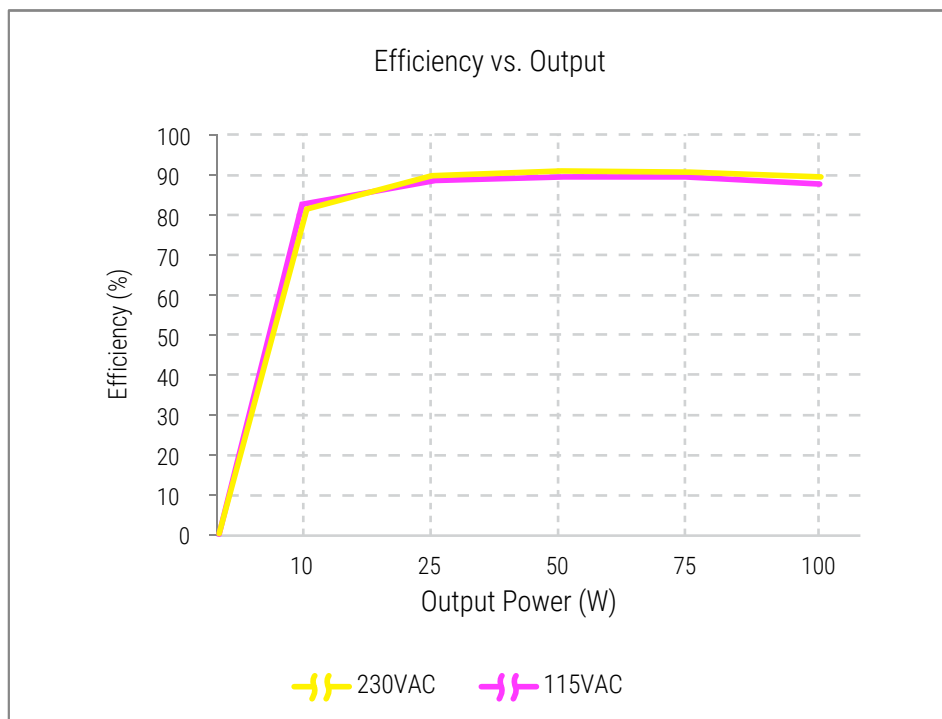
OUTPUT VS. TEMPERATURE

180W convection cooled and 275W continuous with 200 LFM airflow. Derate output power to 50% at 70°C



EFFICIENCY VS. LOADING

The high efficiency is achieved by using LLC technology, PFC topology minimizing switching losses. Synchronous SCHOTTKY or ultra-fast diode is used as rectifier in MINT1275 family because of high output voltage level.



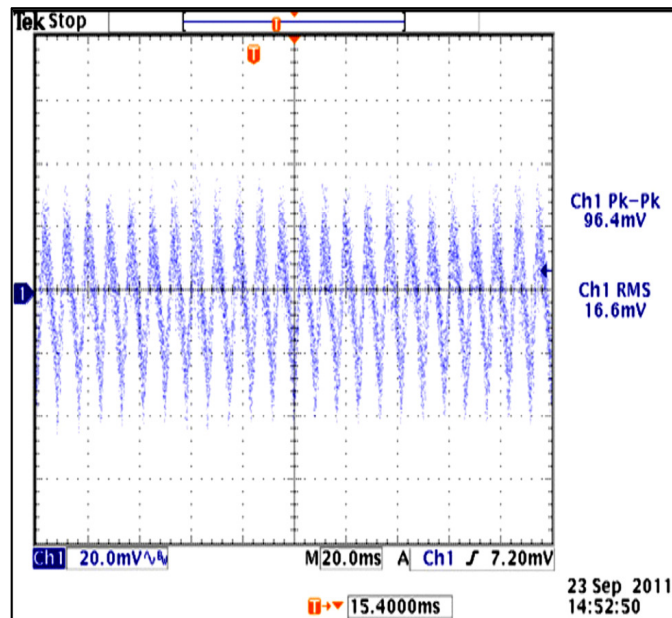
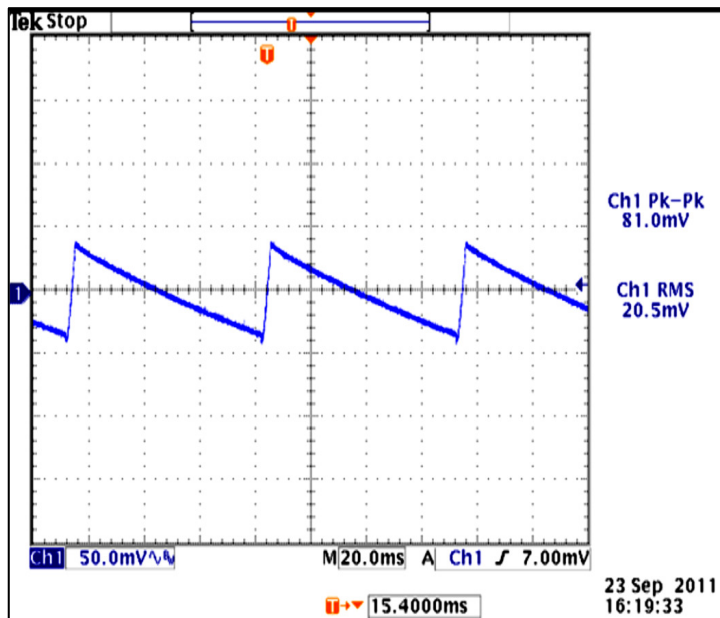


Ripple & Noise

To verify that the output ripple and noise does not exceed the level specified in the product specification. Measured using a scope probe socket with 0.1 μ F ceramic and a 10 μ F electrolytic capacitor connected in parallel across it, BW limit with 20MHz.

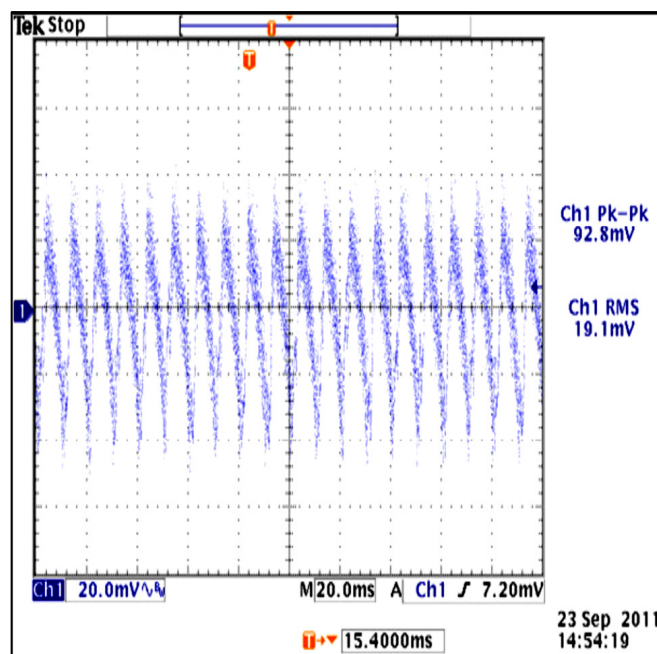
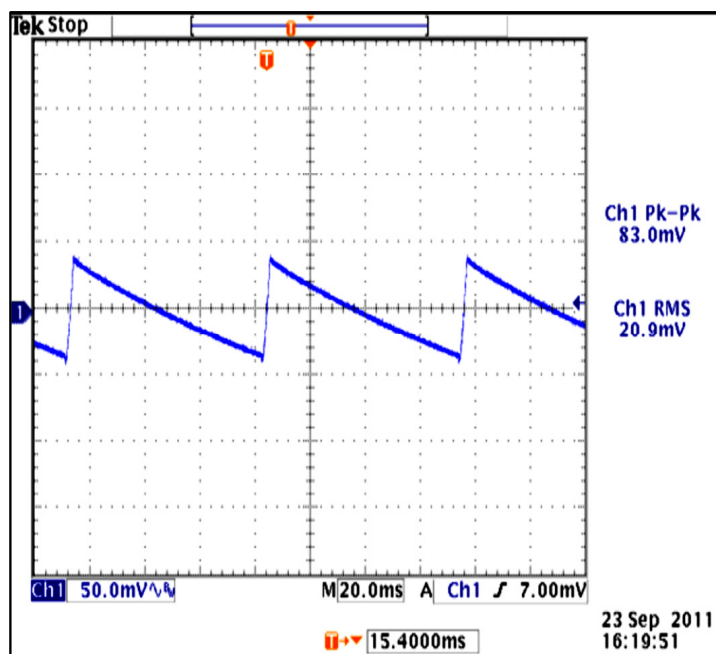
12V OUT, NO LOAD, 115VAC, 60HZ

12V OUT, FULL LOAD, 115VAC, 60HZ



12V OUT, NO LOAD, 230VAC, 60HZ

12V OUT, FULL LOAD, 230VAC, 60HZ

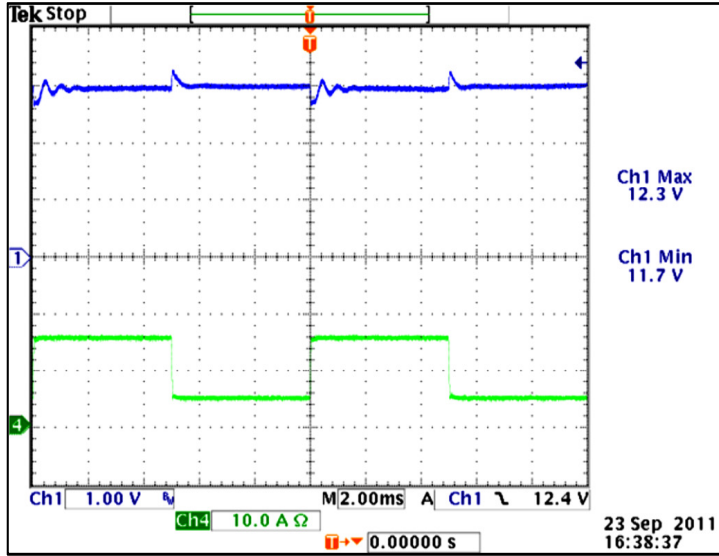




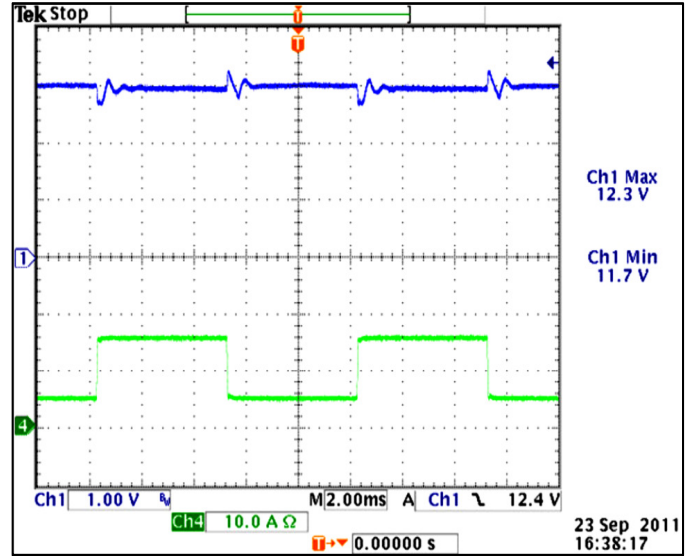
Output Transient Response

50% load step within the regulation limits of minimum and maximum load, $di/dt < 0.2A/\mu\text{Sec}$. Recovery time not specified as there is no laps in regulation with a 50% Load Step. Maximum voltage deviation is 3%.

12V OUT, 115VAC, 25% TO 75% LOAD STEP



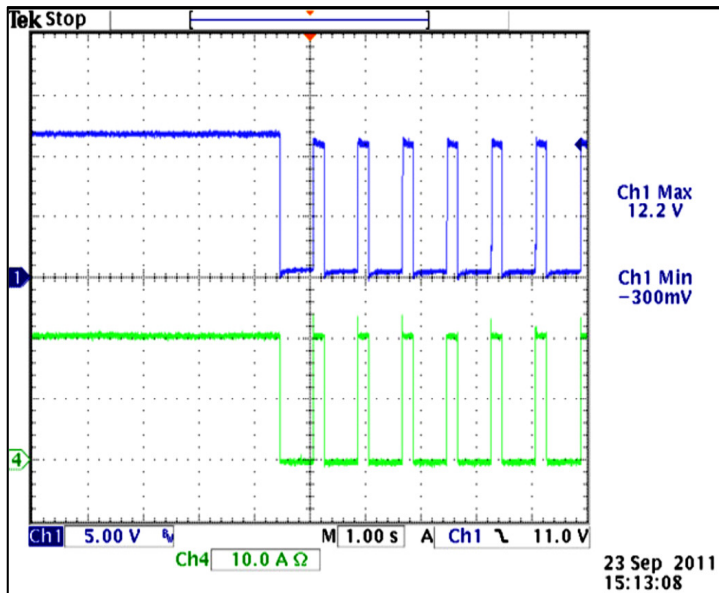
12V OUT, 230VAC, 25% TO 75% LOAD STEP



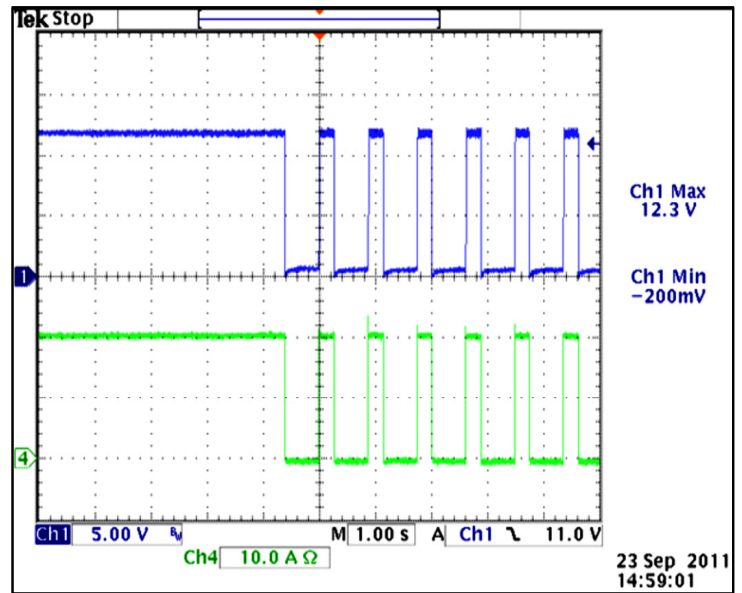
Output Overload Characteristic

Supply shall protect itself against overload conditions. The Power Supply shall recover from Overload Conditions without operator intervention.

12V OUT, 90VAC



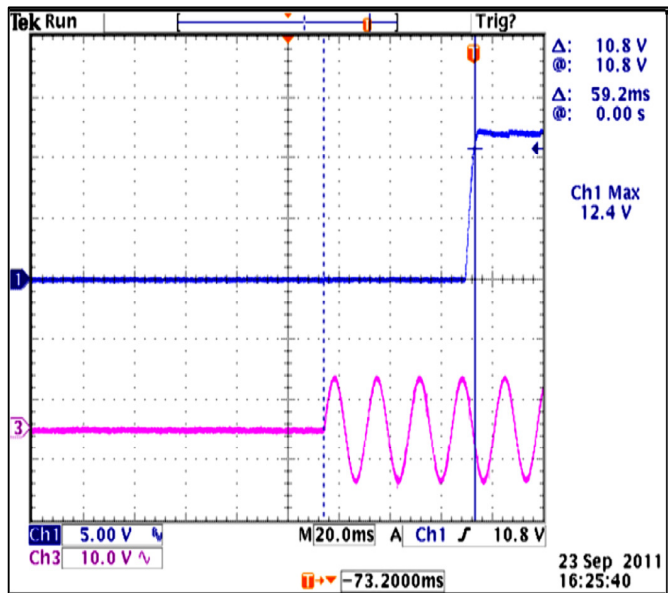
12V OUT, 264VAC



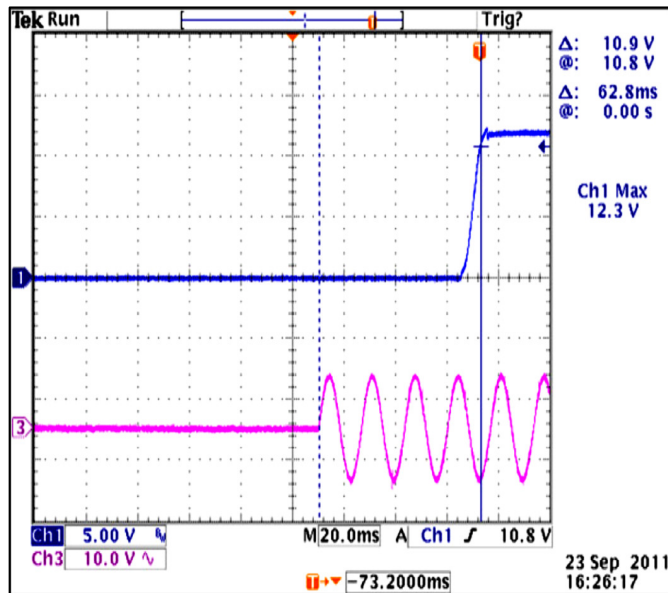


Turn-On Time

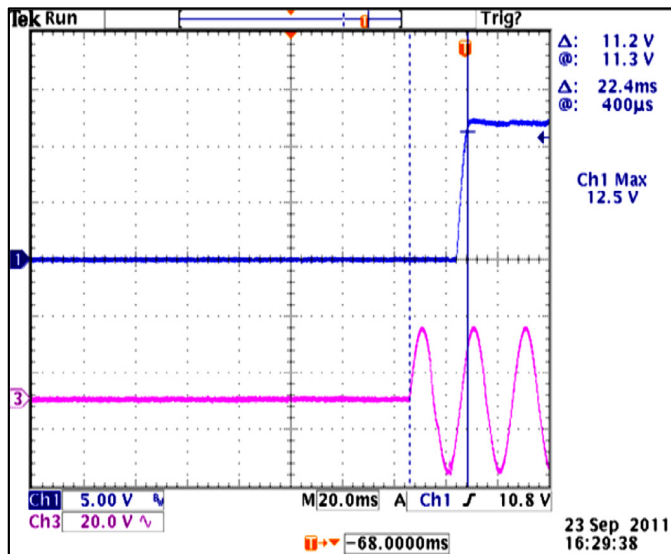
12V OUT, NO LOAD, 90VAC



12V OUT, FULL LOAD, 90VAC



12V OUT, NO LOAD, 264VAC



12V OUT, FULL LOAD, 264VAC

