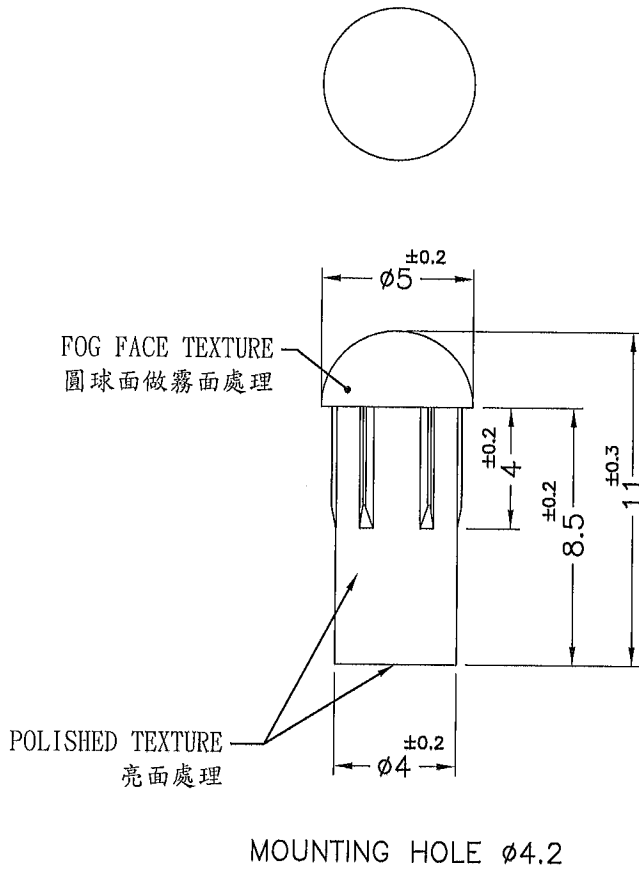

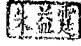


REVISIONS			
REV	DESCRIPTION	DATE	BY



NOTE:MADE OF EQUIVALENT MATERIAL.
使用同等材質

 <p>康揚企業股份有限公司 KANG YANG HARDWARE ENTERPRISE CO., LTD. 康揚塑膠(東莞)有限公司 KANG YANG PLASTIC(DONG GUAN) CO., LTD. 康哲電腦配件(吳江)有限公司 KANG CHE COMPUTER COMPONENTS(WUJIANG) CO., LTD.</p>	TITLE		LED LIGHT PIPE		SPEC. DWG.		
	MATERIAL		PC UL94V-2		DATE		2015.06.17
	FINISH				DRAWN		LUKE
	COLOR		TRANSPARENT		CHECK		
PART NUMBER	DRAWING NUMBER		UNLESS OTHERWISE SPECIFIED TOLERANCE		APPROVED		
LEM-53-8.5	LEM-53-8.5		SEE ABOVE		Kang		
SIZE	SCALE	UNIT	REV				
A4	4:1	mm	A				