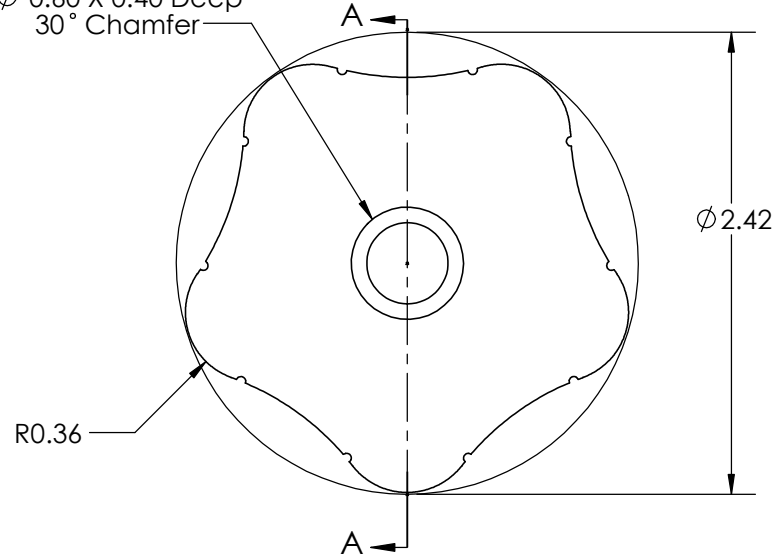
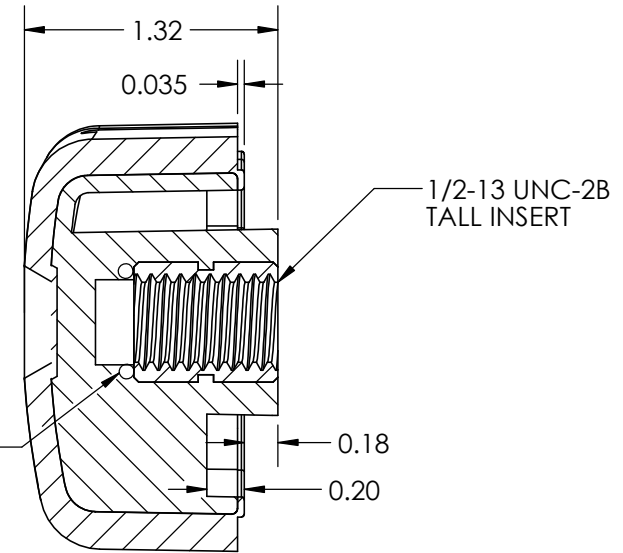


Ø 0.60 X 0.40 Deep
30° Chamfer



R0.36

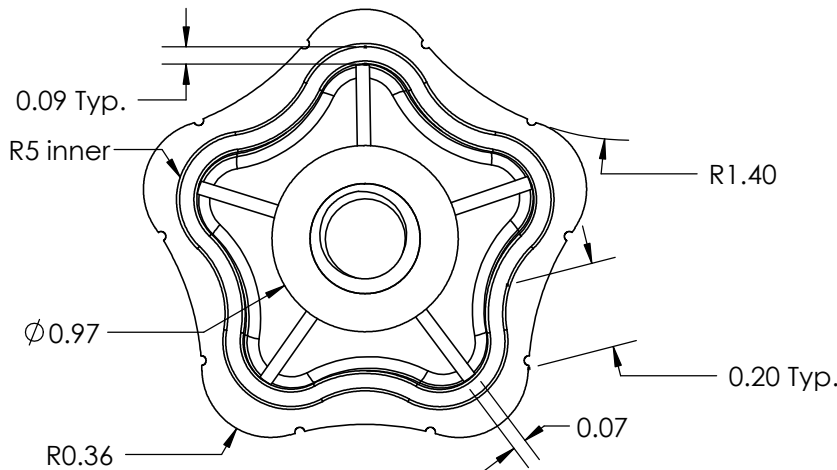
Ø 2.42



O'Ring #11

1/2-13 UNC-2B
TALL INSERT

SECTION A-A



0.09 Typ.

R5 inner

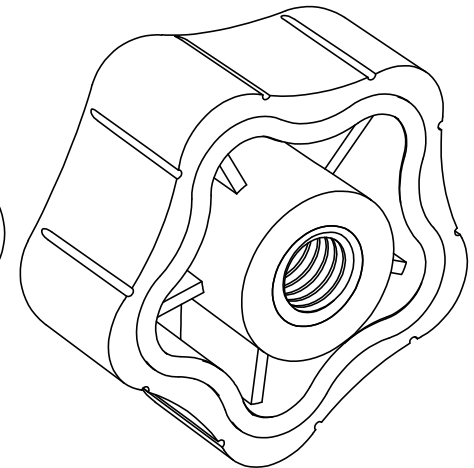
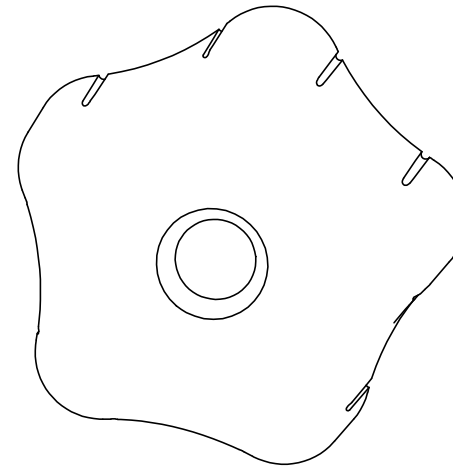
R1.40

Ø 0.97

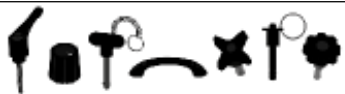
0.20 Typ.

R0.36

0.07



FOR CUSTOMER APPROVAL ONLY		REV	BY	DATE	COMMENT	DIMENSIONS ARE IN INCHES TOLERANCES FRACTIONAL ± TWO PLACE DECIMAL ± 0.03 THREE PLACE DECIMAL ± 0.010 UNLESS OTHERWISE NOTED	DRAWN	VRR	 INNOVATIVE COMPONENTS PART NAME 2.42" Soft Ergo Star Knob, 1/2-13, Steel, Zinc Insert, Blind	
NAME:		0	JMR	07/21/08	RELEASE DATE		APPROVED	LQR		PART NUMBER KN8C----R7-BS21 DRAWING NUMBER 05-01-14 R3
TITLE:		1	JBA	02/25/13	Updated Knob Diameter From 2.39" to 2.36"		DATE	09/17/2014	COMMENTS MIN. TORQUE N/A in.-lbs.	
DATE:		2	PPD	12/17/13	Updated Knob Diameter From 2.36" to 2.42"	KNOB MATERIAL PP/ TPE-48 Shore A, Black				SCALE 1:1 SHEET 1 OF 1
SIGNATURE:		3	VRR	09/17/14	Added Signature Box	KNOB FINISH Textured	INSERT MATERIAL Steel			
		PROPRIETARY AND CONFIDENTIAL				INNER PART NUMBER KN8C----R5IB-21	INSERT FINISH Zinc			
		THE INFORMATION CONTAINED IN THIS DRAWING IS THE SOLE PROPERTY OF INNOVATIVE COMPONENTS. ANY REPRODUCTION IN PART OR AS A WHOLE WITHOUT THE WRITTEN PERMISSION OF INNOVATIVE COMPONENTS IS PROHIBITED.								



PLASTIC KNOBS / CONTROL KNOBS / HANDLES / QUICK RELEASE PINS & BALL LOCK PINS
SPRING LOADED PINS & PLUNGERS / WIRE ROPE LANYARDS / THREAD IDENTIFIERS