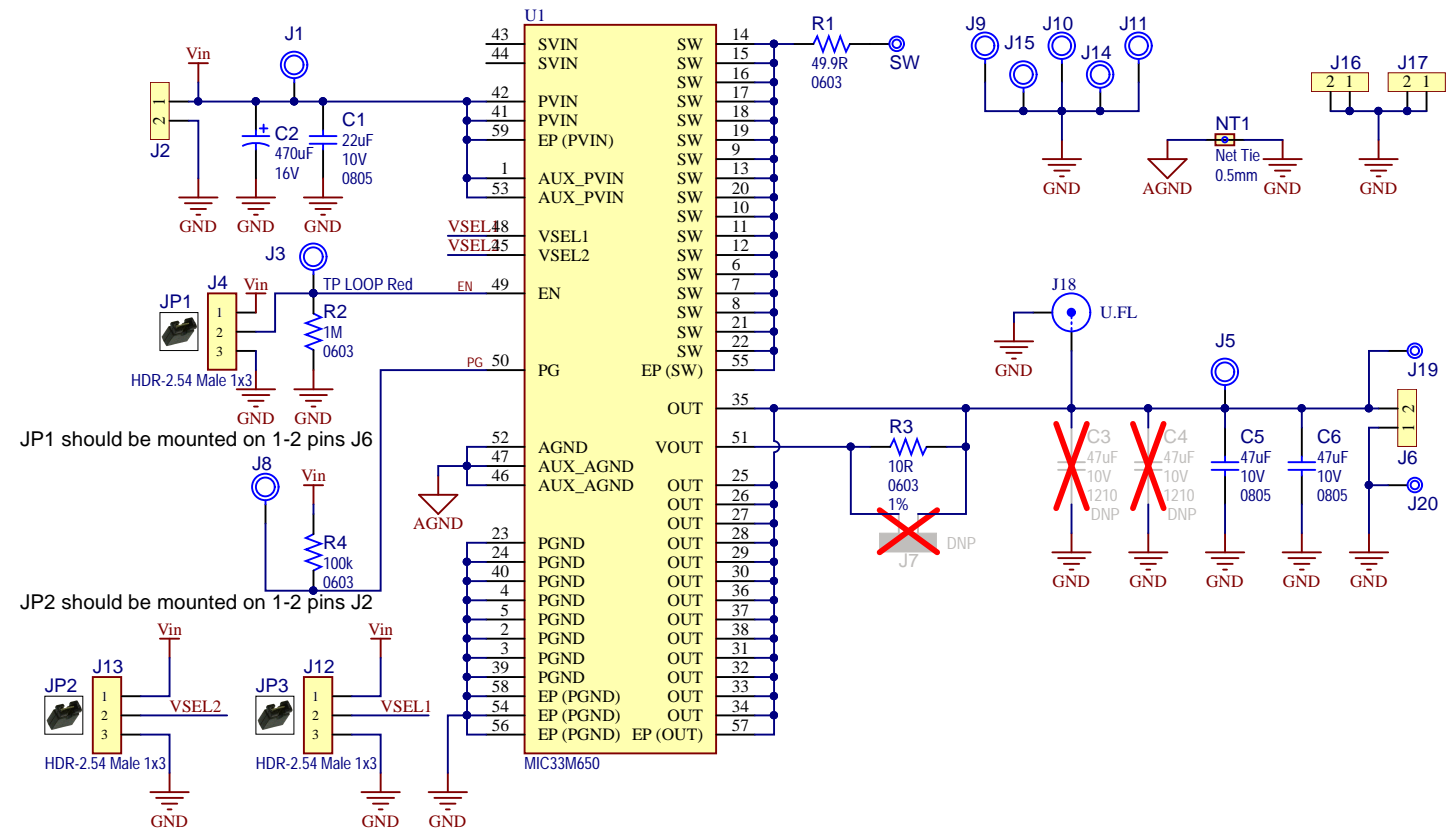


REV	ECO#	DESCRIPTION	DATE



JP1 should be mounted on 1-2 pins J6

JP2 should be mounted on 1-2 pins J2

- PAD1  
Rubber Pad Cyl D7.9H5.3
- PAD2  
Rubber Pad Cyl D7.9H5.3
- PAD3  
Rubber Pad Cyl D7.9H5.3
- PAD4  
Rubber Pad Cyl D7.9H5.3

LABEL1  
02- -R1  
JIT  
LABEL Need Help Small

Drawn By: Alexandru Stoica		
Engineer: Alexandru Stoica		
PartNumber: DT100107	Project Title MIC33M650 6A Step Down Module Eval Board	Variant: Standard
Sheet Title MIC33M650 6A Step Down Module Eval Board		
Size B	Sch #:03-11020	Date: 8/13/2019 10:06:16 AM
Revision: 1		Sheet 1 of 1
File: Mechanical.SchDoc		

Altium.com