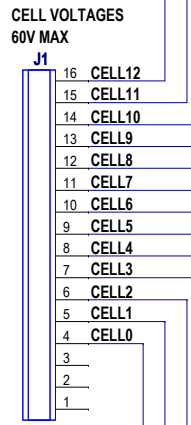
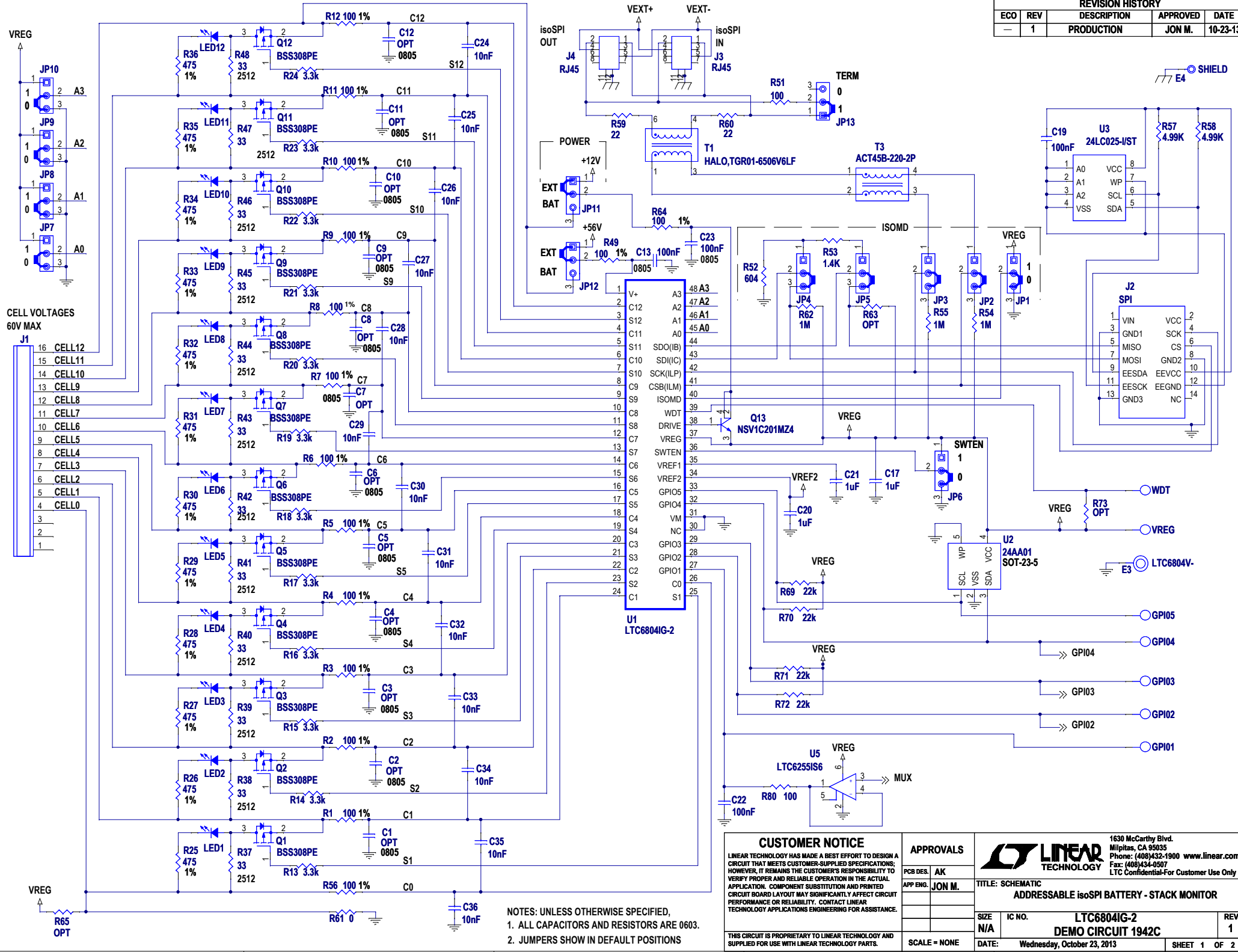


REVISION HISTORY				
ECO	REV	DESCRIPTION	APPROVED	DATE
-	1	PRODUCTION	JON M.	10-23-13



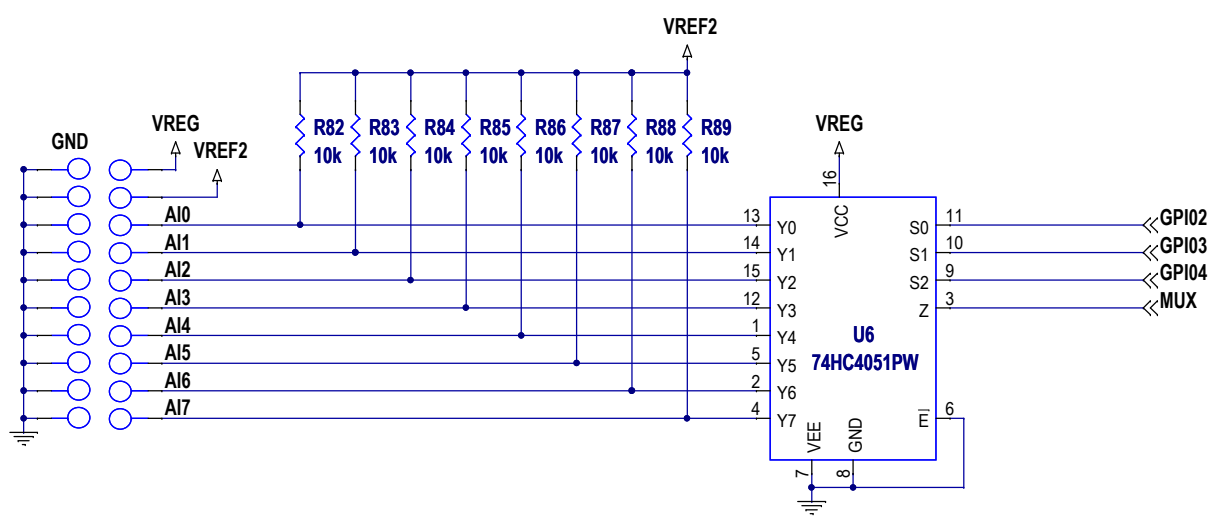
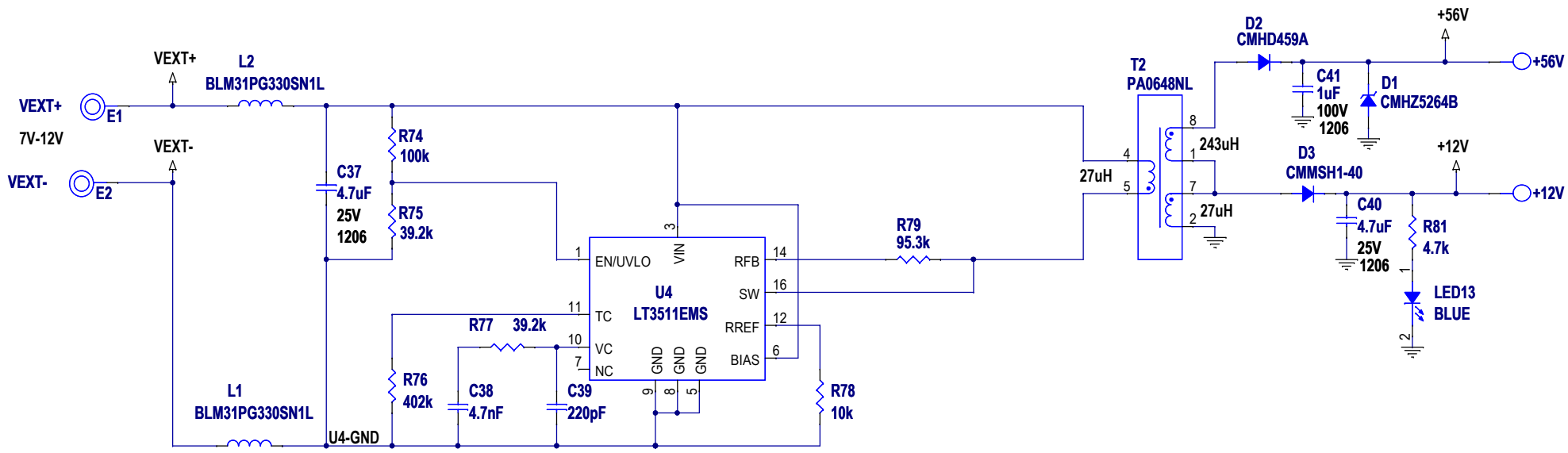
NOTES: UNLESS OTHERWISE SPECIFIED,
 1. ALL CAPACITORS AND RESISTORS ARE 0603.
 2. JUMPERS SHOW IN DEFAULT POSITIONS

CUSTOMER NOTICE
 LINEAR TECHNOLOGY HAS MADE A BEST EFFORT TO DESIGN A CIRCUIT THAT MEETS CUSTOMER-SUPPLIED SPECIFICATIONS; HOWEVER, IT REMAINS THE CUSTOMER'S RESPONSIBILITY TO VERIFY PROPER AND RELIABLE OPERATION IN THE ACTUAL APPLICATION. COMPONENT SUBSTITUTION AND PRINTED CIRCUIT BOARD LAYOUT MAY SIGNIFICANTLY AFFECT CIRCUIT PERFORMANCE OR RELIABILITY. CONTACT LINEAR TECHNOLOGY APPLICATIONS ENGINEERING FOR ASSISTANCE.

APPROVALS		TITLE: SCHEMATIC	
PCB DES.	AK	ADDRESSABLE isoSPI BATTERY - STACK MONITOR	
APP ENG.	JON M.	SIZE	IC NO.
		N/A	LTC6804IG-2
		DEMO CIRCUIT 1942C	
		SCALE = NONE	DATE: Wednesday, October 23, 2013
			SHEET 1 OF 2

1630 McCarthy Blvd.
 Milpitas, CA 95035
 Phones: (408)432-1900 www.linear.com
 Fax: (408)434-0507
 LTC Confidential-For Customer Use Only





<p>CUSTOMER NOTICE</p> <p>LINEAR TECHNOLOGY HAS MADE A BEST EFFORT TO DESIGN A CIRCUIT THAT MEETS CUSTOMER-SUPPLIED SPECIFICATIONS; HOWEVER, IT REMAINS THE CUSTOMER'S RESPONSIBILITY TO VERIFY PROPER AND RELIABLE OPERATION IN THE ACTUAL APPLICATION. COMPONENT SUBSTITUTION AND PRINTED CIRCUIT BOARD LAYOUT MAY SIGNIFICANTLY AFFECT CIRCUIT PERFORMANCE OR RELIABILITY. CONTACT LINEAR TECHNOLOGY APPLICATIONS ENGINEERING FOR ASSISTANCE.</p> <p>THIS CIRCUIT IS PROPRIETARY TO LINEAR TECHNOLOGY AND SUPPLIED FOR USE WITH LINEAR TECHNOLOGY PARTS.</p>	<p>APPROVALS</p> <p>PCB DES. AK</p> <p>APP ENG. JON M.</p>		<p>LINEAR TECHNOLOGY</p> <p>1630 McCarthy Blvd. Milpitas, CA 95035 Phone: (408)432-1900 www.linear.com Fax: (408)434-0507 LTC Confidential-For Customer Use Only</p>	
	<p>TITLE: SCHEMATIC</p> <p>ADDRESSABLE isoSPI BATTERY - STACK MONITOR</p>			
	<p>SCALE = NONE</p>	<p>SIZE N/A</p>	<p>IC NO. LTC6804IG-2</p>	<p>REV. 1</p>
	<p>DATE: Wednesday, October 23, 2013</p>		<p>SHEET 2 OF 2</p>	