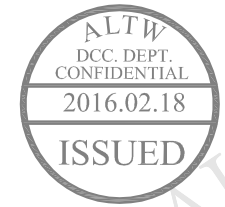
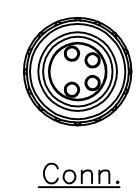
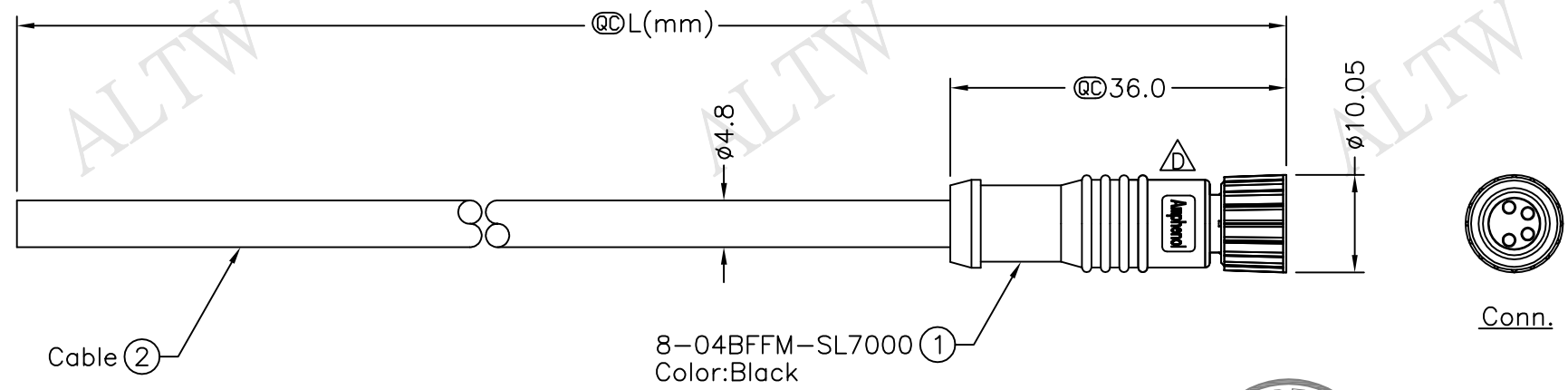
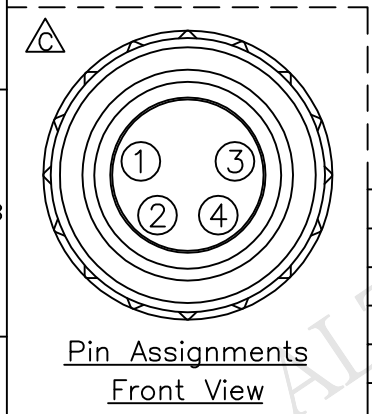


REV.	ECN NO.	DATE	SIGN	DESCRIPTION
B	LEN-780079	2007/04/27	Ferds	Change Pin Out Color & Apply New Standard.
C	LEN-920043~046	2009/02/03	Vicky	Update the drawing.
D	LEN1620149~153	2016/02/01	Ruru	Change Logo



8-04BFFM-SL7BXX
 XX:01~99Meters
 01:01Meter
 02:02Meters
 ...
 99:99Meters
 Cable Length(L):01~99Meters

- Notes:
- * Ⓢ Important Dimension.
 - * Waterproof Rate: IP67.
 - * Connector: PU, Black.
 - * Female Pin: Copper Alloy, Gold Plated.
 - * Cable: 22AWG*4C+Insulation, PU, OD=4.8mm, Black.
 - * Ⓢ Cable Length Tolerance: 01M:±40mm
 02M~05M:±60mm
 06M~10M:±100mm
 11M~30M:±200mm
 31M~99M:±500mm



Pin Out	Wire Color	Color
4	Black	黑
3	Blue	藍
2	White	白
1	Brown	棕
Conn.	Pin Out	

UNIT:mm	
TOLERANCE	±0.5 mm

TITLE	M8 Conn Cable Screw 4P F Conn F Pin		
SCALE	Free	SHEET	1 OF 1
REV.	D	SIZE	A4
Ⓢ : Inspection Item			

Amphenol LTW
 安費諾亮泰企業股份有限公司

ITEM NO	DRAWN BY	DATE
DWG NO	CHECKED BY	DATE
CUSTOMER	APPROVED BY	DATE
	Ruru	2016/02/01
8-04BFFM-SL7BXX	Rita	2016/02/01
ALTW	Lisa	2016/02/01

THIS DOCUMENT IS SUBJECT TO CHANGE WITHOUT NOTICE. IT IS CONFIDENTIAL AND A PROPERTY OF Amphenol LTW. DISCLOSURE TO THIRD PARTY HAS TO BE AUTHORIZED BY Amphenol LTW.

1
F
E
D
C
B
A

2
3
4
5

6
7
8