

**PLEASE CHECK WWW.MOLEX.COM FOR LATEST PART INFORMATION**

**Part Number:** [0734043000](#)  
**Status:** **Active**  
**Overview:** [SMB RF Connectors](#)  
**Description:** 75 Ohms, SMB Plug, Right-Angle, Crimp, RG-179 Cable, One Piece Per Bag

**Documents:**

[3D Model](#) [Drawing \(PDF\)](#)  
[3D Model \(PDF\)](#) [RoHS Certificate of Compliance \(PDF\)](#)

**General**

Product Family [RF/Coax Connectors](#)  
 Series [73404](#)  
 Overview [SMB RF Connectors](#)  
 Product Name [SMB](#)  
 Style [Cable](#)  
 Type [Subminiature](#)  
 UPC [884982691520](#)  
 Wire/Cable Type [RG-179](#)

**Physical**

Gender [Plug](#)  
 Keying to Mating Part [None](#)  
 Net Weight [3.600/g](#)  
 Orientation [Right Angle](#)  
 PCB Mounting [N/A](#)  
 Packaging Type [Bag](#)  
 Panel Mount [No](#)  
 Panel Mount Method [N/A](#)  
 Reverse Polar [No](#)

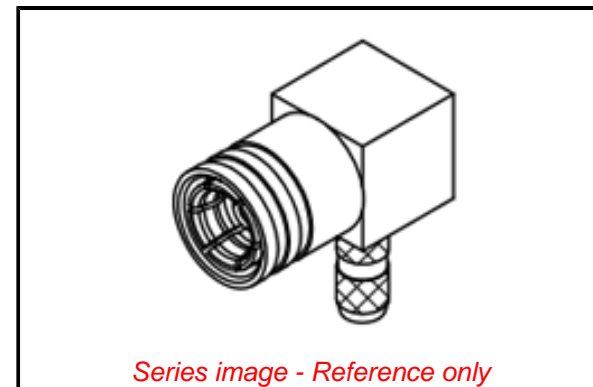
**Electrical**

Frequency [4 GHz](#)  
 Impedance [75Ω](#)  
 Power / Voltage [VOLTAGE: 335 Vrms@Sea Level](#)

**Material Info**

**Reference - Drawing Numbers**

Sales Drawing [SD-73100-0256-001, SD-73404-300-001](#)



*Series image - Reference only*

**EU ELV**

**Not Relevant**

**EU RoHS**

**Not Relevant**

**REACH SVHC**

Not Relevant

**Halogen-Free**

**Status**

**Not Relevant**

For more information, please visit [Contact US](#)

China ROHS

Not Relevant

ELV

Not Relevant

RoHS Phthalates

Not Relevant

**Search Parts in this Series**

[73404 Series](#)

**PLEASE CHECK WWW.MOLEX.COM FOR LATEST PART INFORMATION**