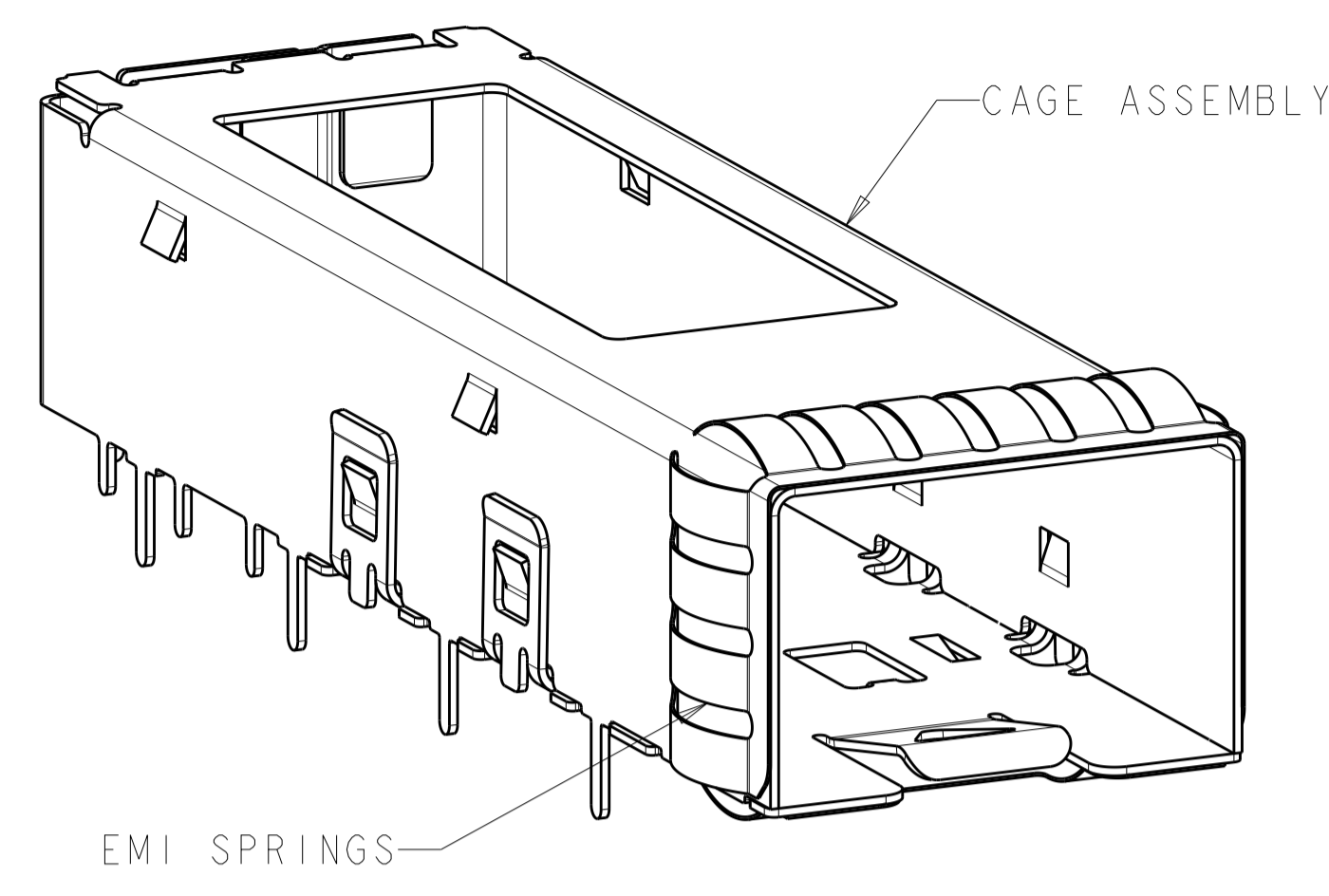
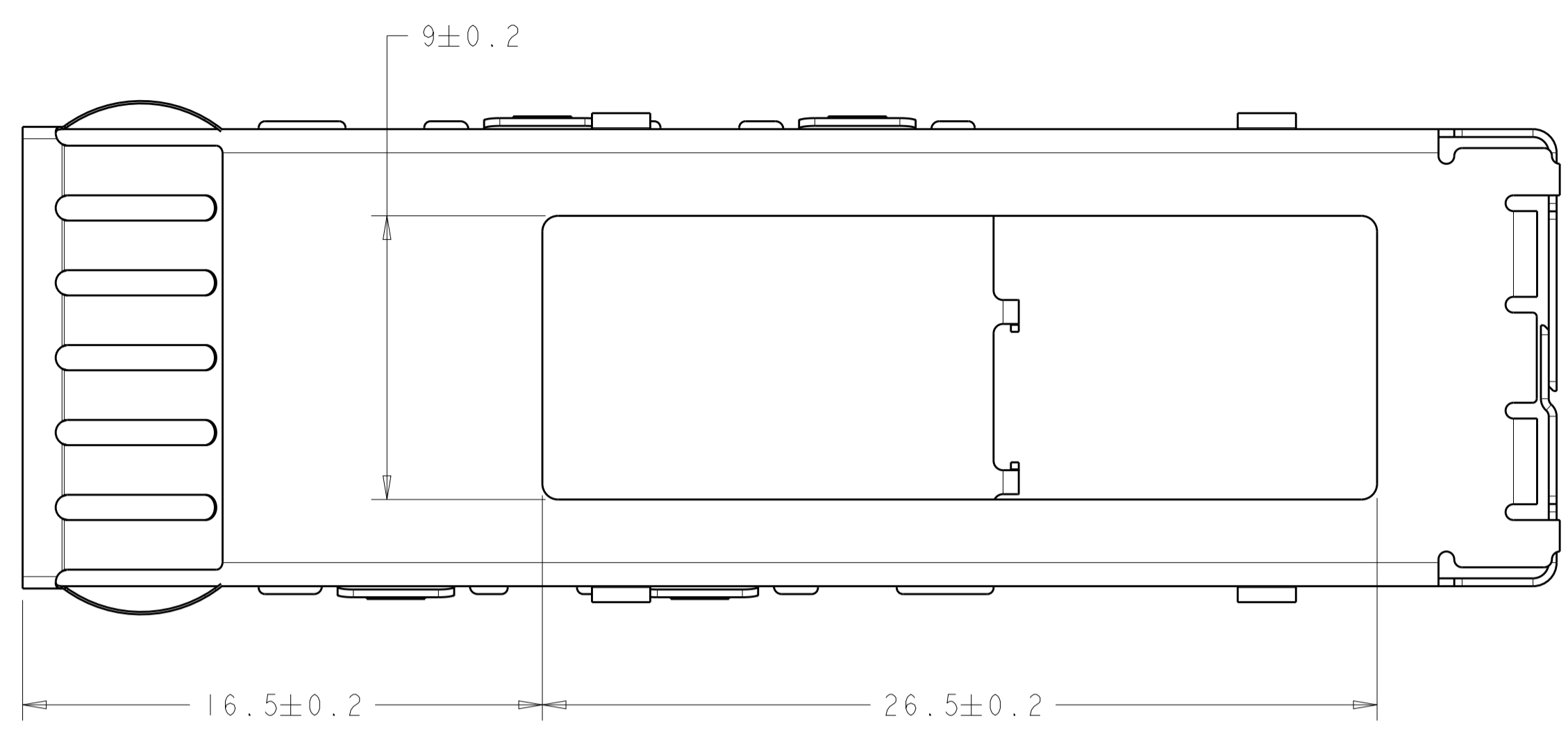


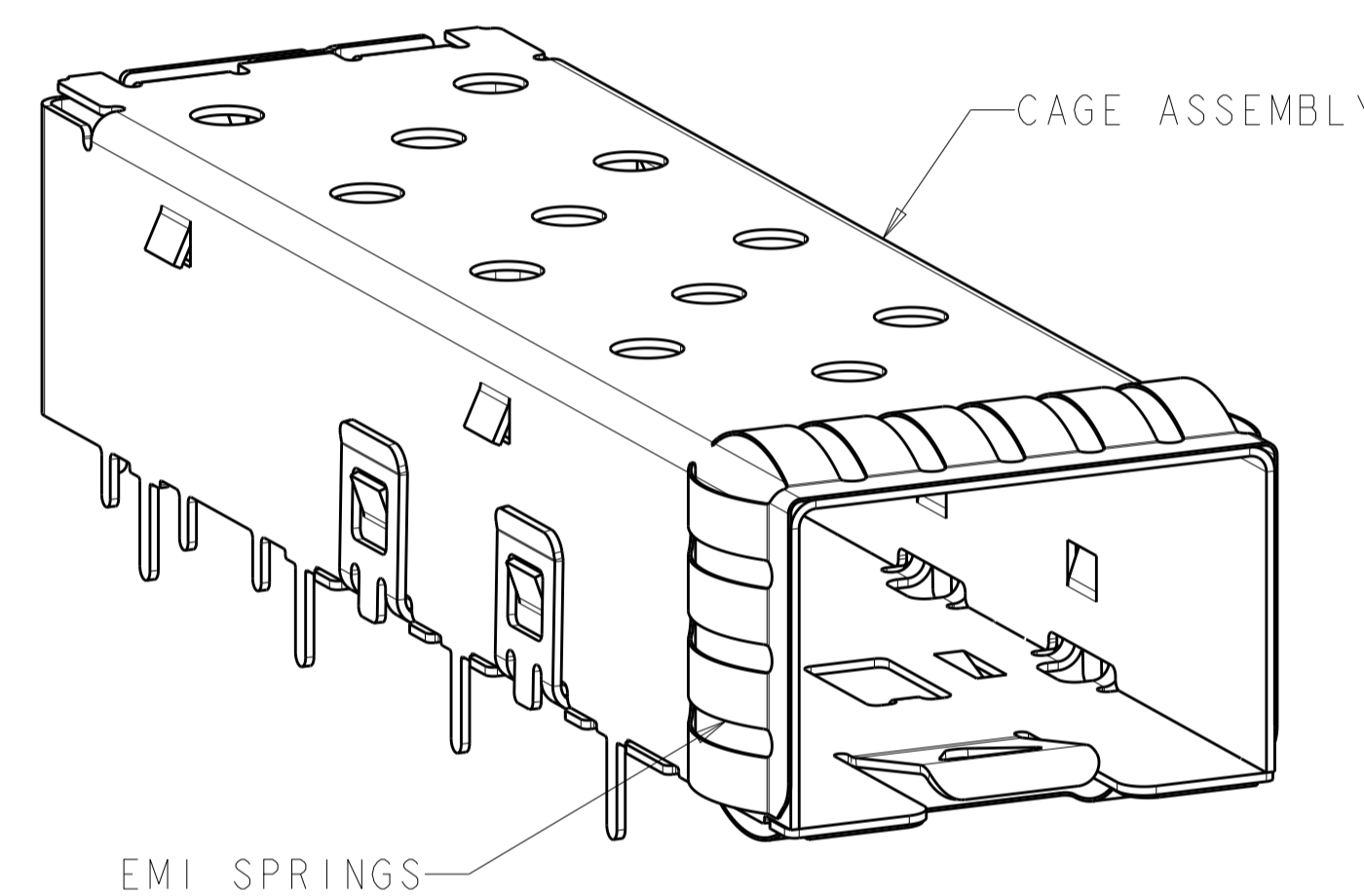
| LOC | DIST | REVISIONS |     |                           |           |     |      |
|-----|------|-----------|-----|---------------------------|-----------|-----|------|
|     |      | P         | LTN | DESCRIPTION               | DATE      | OWN | APVD |
| GP  | 00   |           |     |                           |           |     |      |
|     |      | C1        |     | REVISED PER ECO-11-004835 | 11MAR2011 | RK  | HMR  |
|     |      | D         |     | REVISED PER ECO-11-019224 | 05JAN2012 | TX  | AC   |
|     |      | D2        |     | REVISED PER ECR-18-001078 | 23JAN2018 | IT  | SH   |



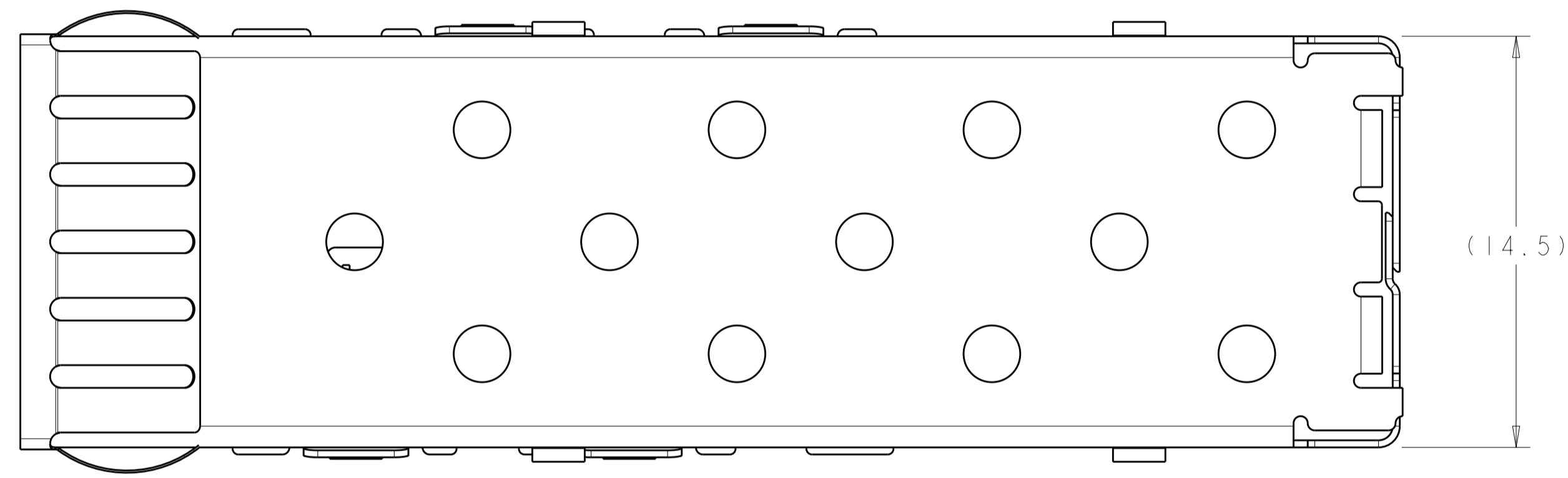
2007194-2  
SCALE 5:1



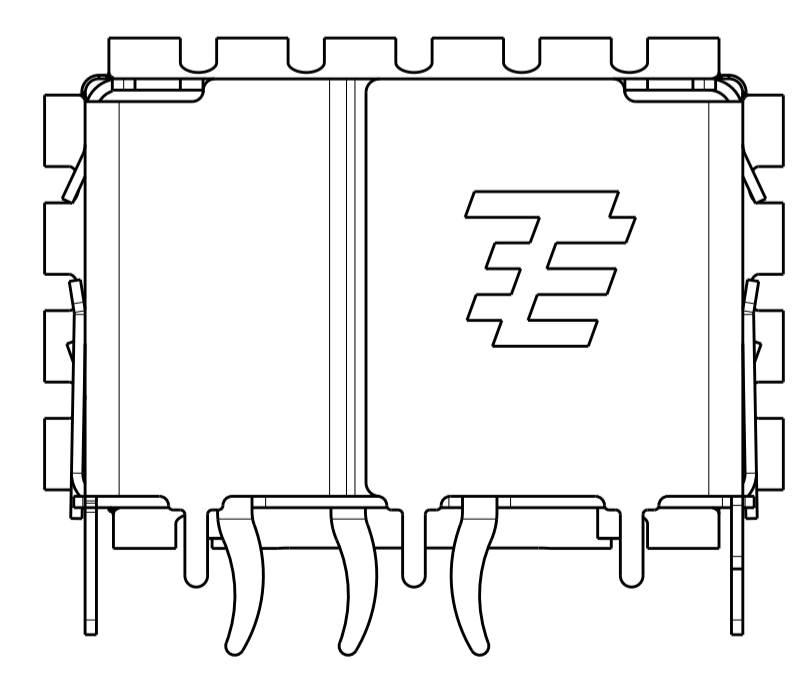
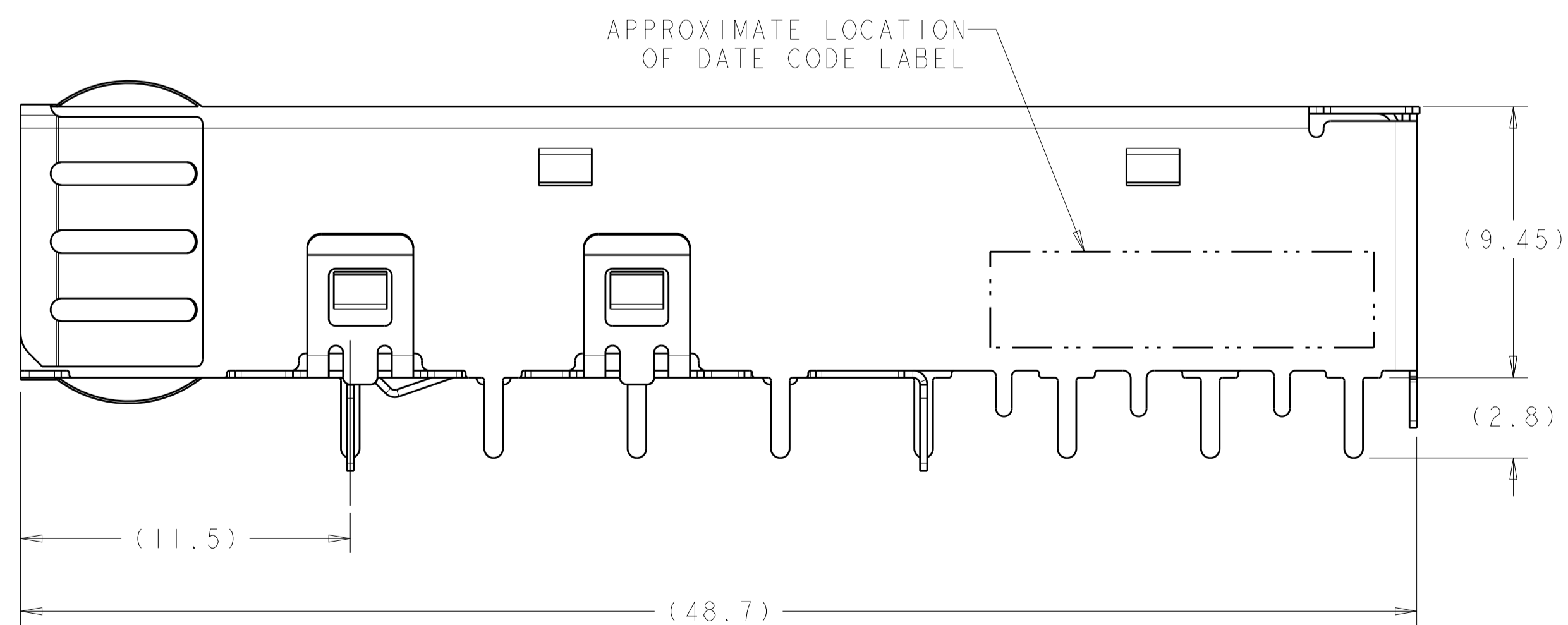
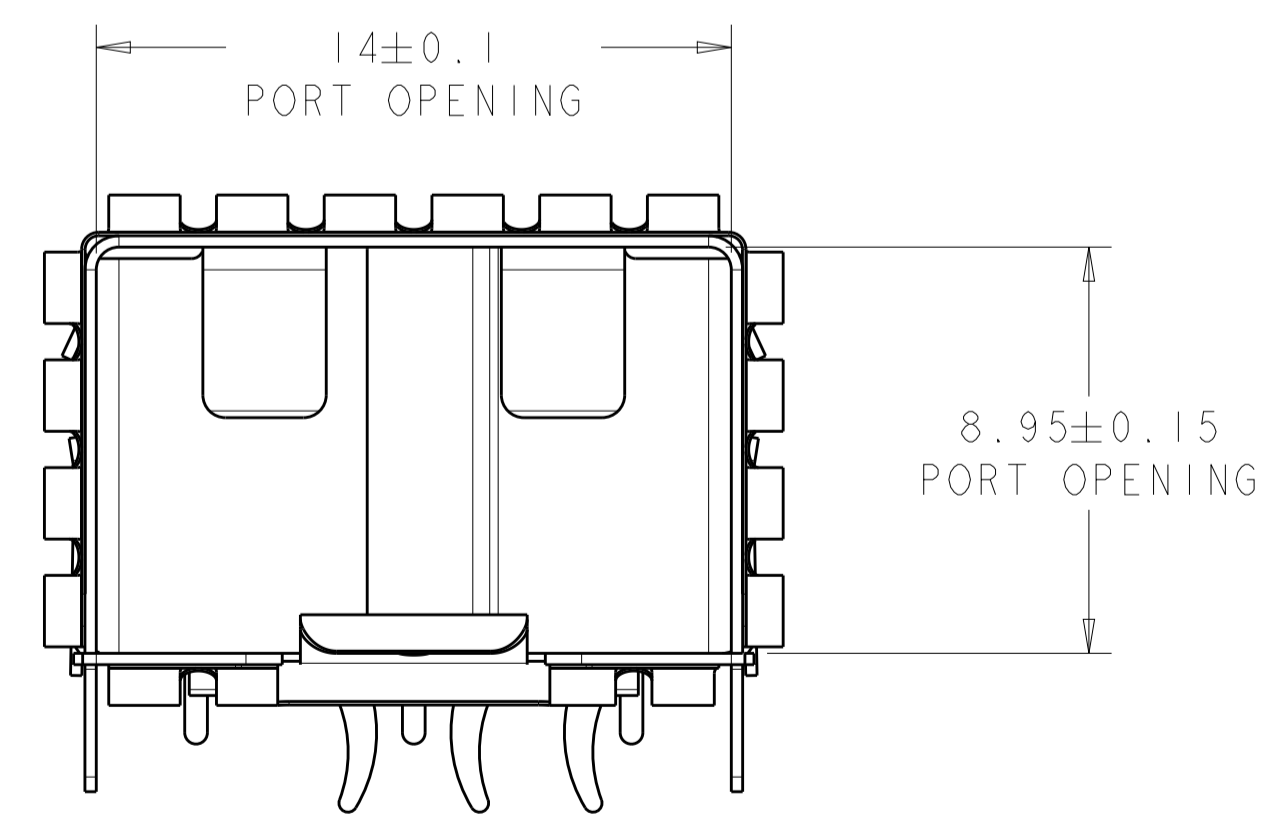
2007194-2  
SAME AS 2007194-1 EXCEPT AS SHOWN  
TOP VIEW



2007194-1  
SCALE 5:1



2007194-1  
TOP VIEW



|           |                  |             |
|-----------|------------------|-------------|
| TAPE&REEL | EMI HOLES        | 2007194-5   |
| TRAY      | HEATSINK OPENING | 2007194-2   |
| TRAY      | EMI HOLES        | 2007194-1   |
| PACKAGE   | DESCRIPTION      | PART NUMBER |

THIS DRAWING IS A CONTROLLED DOCUMENT. OWN: Z.M.BEAM 10JUL2007  
 CHG: M.R.SCHMITT 10JUL2007  
 APVD: B.H.WERTZ 10JUL2007

DIMENSIONS: mm  
 TOLERANCES UNLESS OTHERWISE SPECIFIED:  
 0 PLC ±0.1  
 1 PLC ±0.1  
 2 PLC ±0.1  
 3 PLC ±0.05  
 4 PLC ±0.05  
 ANGLES ±0.05

MATERIAL: FINISH:

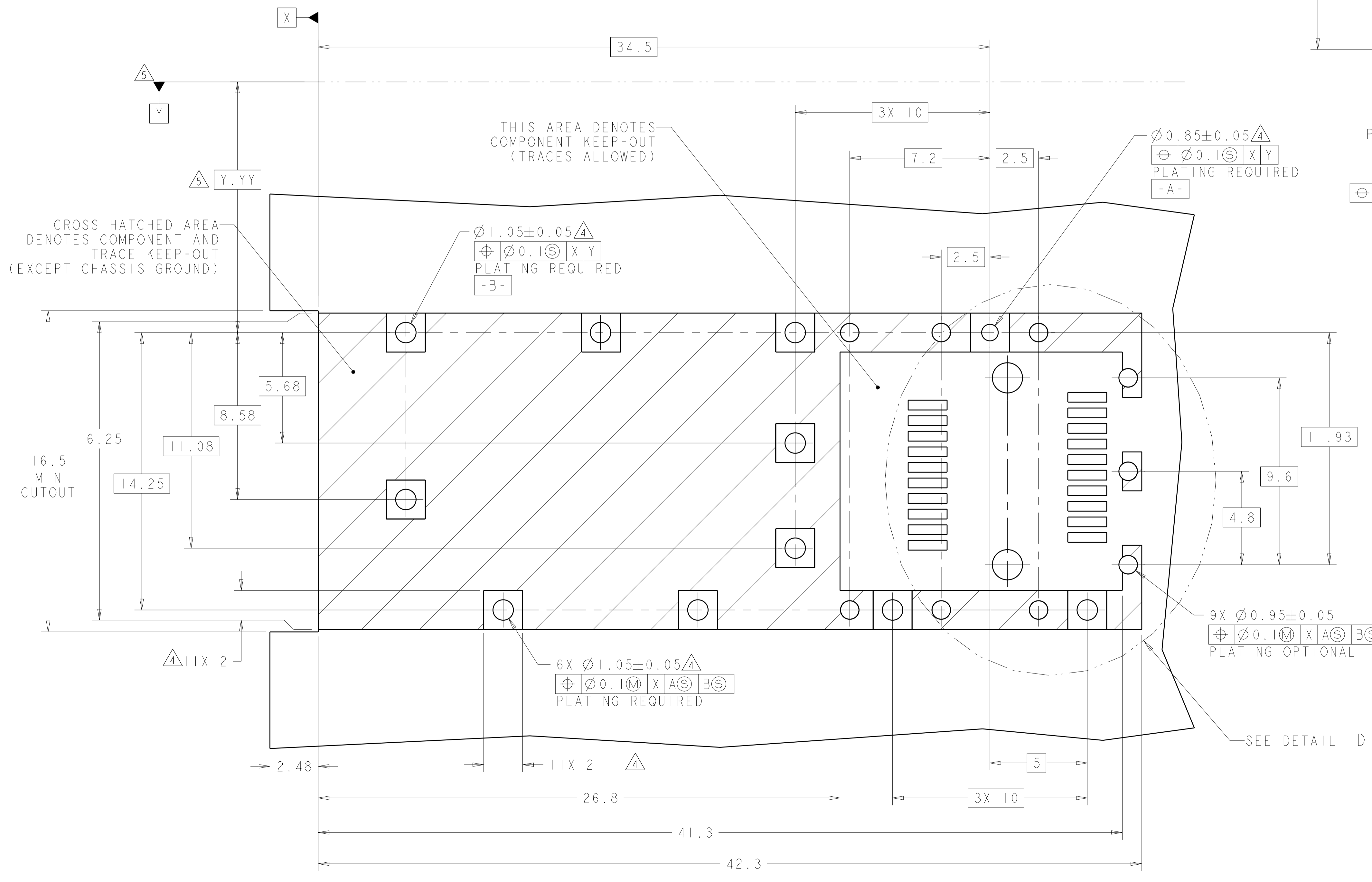
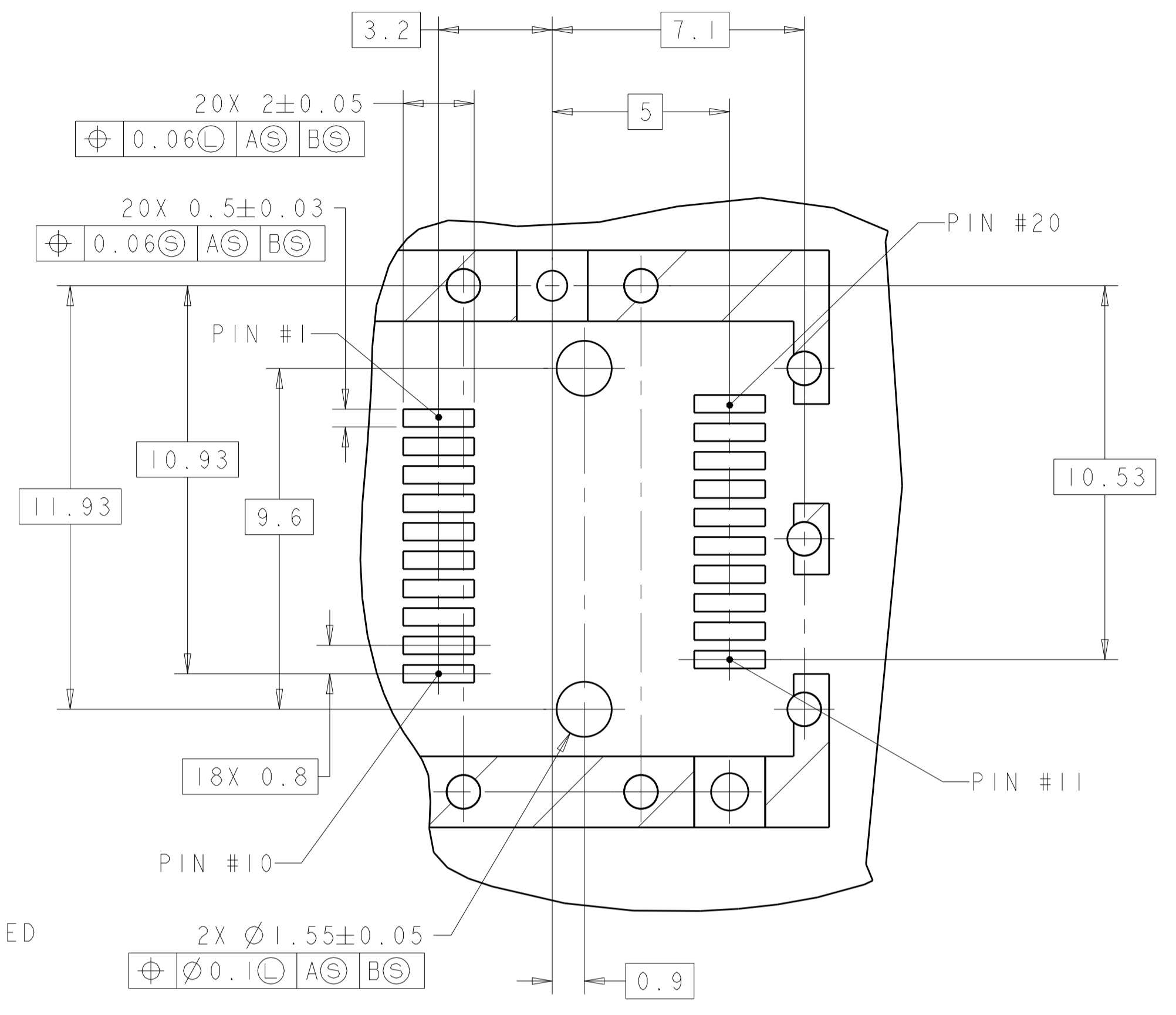
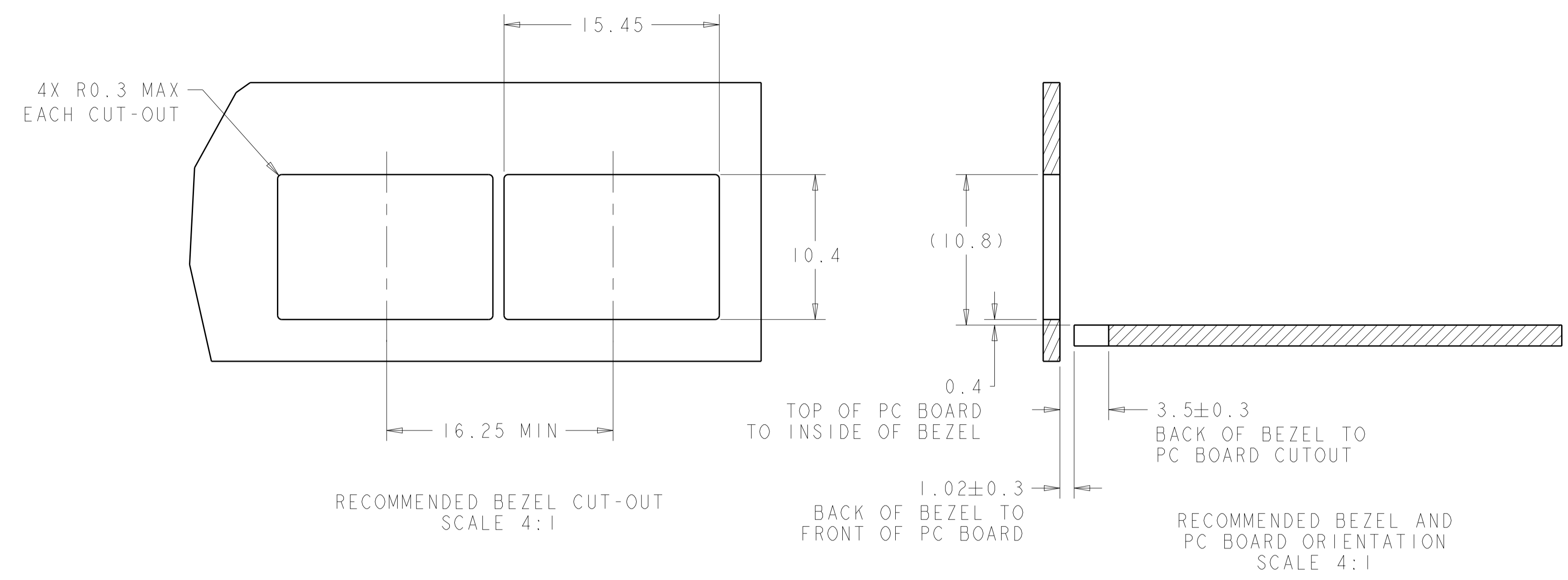
PRODUCT SPEC: 108-2364  
 APPLICATION SPEC: 114-13120  
 WEIGHT: -

CUSTOMER DRAWING

**STC** TE Connectivity  
 NAME: SFP+ 1X1 CAGE ASSEMBLY, PCI, SOLDER TAILS, EXTERNAL EMI SPRINGS  
 SIZE: A1 CAGE CODE: 100779 DRAWING NO: 2007194  
 RESTRICTED TO: A100779C=2007194  
 SCALE: 6:1 SHEET 1 OF 2 REV: D2

- 1 MATERIAL:  
CAGE ASSEMBLY - 0.25mm THICK NICKEL-SILVER ALLOY.  
EMI SPRINGS - COPPER ALLOY.
- 2 FINISH:  
EMI SPRINGS - 0.8um MIN MATTE TIN OVER 0.8um MIN NICKEL  
NON PLATED EDGES PERMISSIBLE.
- 3. MATES WITH SFP MSA COMPLIANT TRANSCEIVERS.
- 4 PADS AND VIAS CHASSIS GROUND.
- 5 DATUMS AND BASIC DIMENSIONS ESTABLISHED BY CUSTOMER.
- 6. MINIMUM PC BOARD THICKNESS:  
SINGLE SIDED = 1.50mm.
- 7. NOTE DELETED

| LOC |    | DIST |     | REVISIONS   |      |     |      |
|-----|----|------|-----|-------------|------|-----|------|
| GP  | 00 | P    | LTN | DESCRIPTION | DATE | DMN | APVD |
|     |    |      |     | SEE SHEET 1 |      |     |      |



|  |       |                      |             |  |
|--|-------|----------------------|-------------|--|
| THIS DRAWING IS A CONTROLLED DOCUMENT. |       | DMN<br>Z. M. BEAM    | 10 JUL 2007 | TE Connectivity<br>SFP+ IXI CAGE ASSEMBLY,<br>PCI, SOLDER TAILS,<br>EXTERNAL EMI SPRINGS |
| DIMENSIONS:                            |       | CHK<br>M. R. SCHMITT | 10 JUL 2007 |  |
| TOLERANCES UNLESS OTHERWISE SPECIFIED: |       | APVD<br>B. H. WERTZ  | 10 JUL 2007 |  |
| mm                                     |       | NAME                 |             |  |
| 0 PLC                                  | ±0.1  | PRODUCT SPEC         |             |  |
| 1 PLC                                  | ±0.1  | 108-2364             |             |  |
| 2 PLC                                  | ±0.1  | APPLICATION SPEC     |             |  |
| 3 PLC                                  | ±0.05 | 114-13120            |             |  |
| 4 PLC                                  | ±0.05 | WEIGHT               |             |  |
| ANGLES                                 | ±0.05 | A100779C=2007194     |             |  |
| MATERIAL                               |       | CUSTOMER DRAWING     |             | SCALE 6:1 SHEET 2 OF 2 REV D2  |