

NOTES:

- 1. USERS ARE SOLELY RESPONSIBLE FOR DESIGN, APPLICATION, AND FUNCTION OF THE END USE PRODUCT. USERS MUST EVALUATE THE SUITABILITY OF THESE DEVICES TO THEIR APPLICATION WITH RESPECT TO TEMPERATURE SETTINGS, MECHANICAL CYCLE LIFE, ELECTRICAL LOADING AND ENVIRONMENTAL CONDITIONS. THESE DEVICES ARE NOT INTENDED FOR USE IN APPLICATIONS WHERE EXPOSURE TO CONDENSED OR DRIPPING LIQUIDS, IMMERSION IN LIQUID, OR EXPOSURE TO OTHER ENVIRONMENTAL CONTAMINANTS MAY OCCUR
- 2. DIMENSIONS SHOWN ARE FOR REFERENCE ONLY
- 3. SEE SHEET 2 FOR ACTUATING TEMPERATURES AND TOLERANCES.
- 4. CONTACT MATERIAL: SILVER
- 5. ACTUATION TYPE: AUTOMATIC RESET
- 6. CODING: STAMP CODE ON CUP

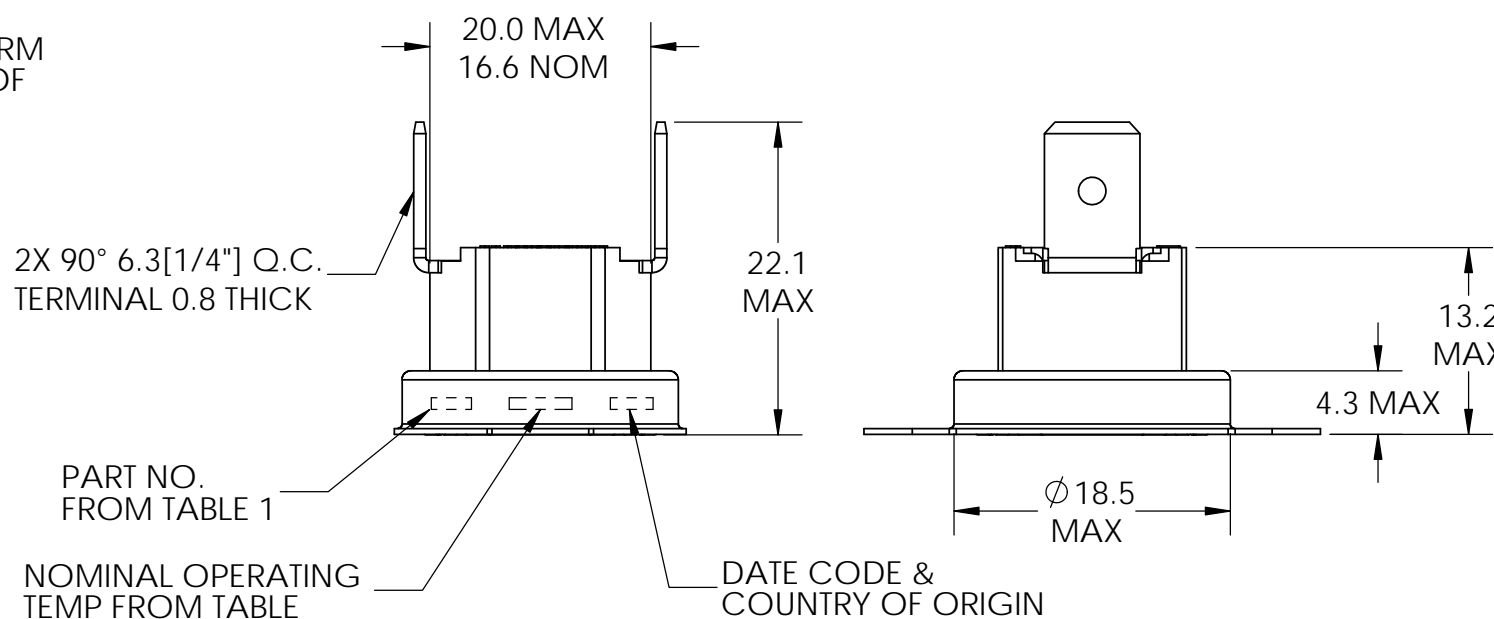
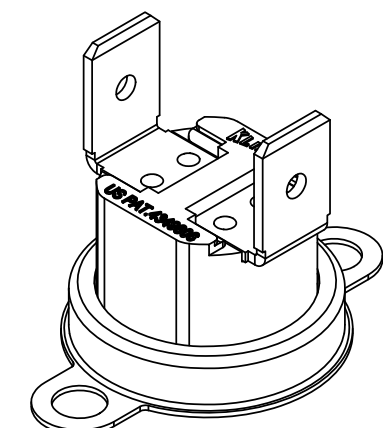
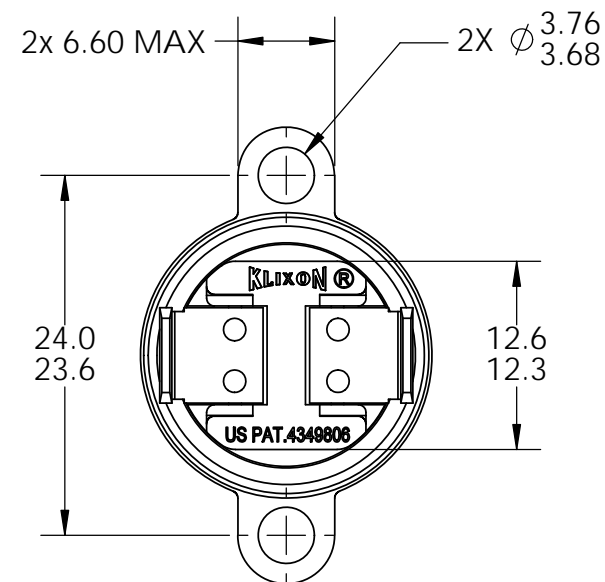
ELECTRICAL RATINGS

THE 1NT SERIES THERMOSTATS HAS BEEN RECOGNIZED BY SAFETY AGENCIES, INCLUDING UL, CANADIAN-UL AND KEMA. AGENCY RATINGS ARE PRESENTED BELOW AS A GENERAL GUIDE. HOWEVER, THE TEMPERATURE SETTINGS, MECHANICAL, ELECTRICAL, THERMAL, AND ENVIRONMENTAL CONDITIONS OF THE SPECIFIC APPLICATION MAY DIFFER SIGNIFICANTLY FROM AGENCY TEST CONDITIONS. THEREFORE, THE USER MUST NOT RELY SOLELY ON THE AGENCY RATINGS PRESENTED HERE, BUT MUST PERFORM ITS OWN TESTING OF THE PRODUCT TO CONFIRM THAT THE THERMOSTAT SELECTED WILL OPERATE AS INTENDED OVER THE USEFUL DESIGN LIFE OF THE USER'S APPLICATIONS.

AGENCY	TYPE	CYCLES	ELECTRICAL RATING*	
UL and C-UL	1NT01	100,000	120 VAC	0-9 AMPS 10-17 AMPS**
			240 VAC	0-5 AMPS 6-17 AMPS**
			277 VAC	7.2 AMPS
KEMA	1NT01	100,000	240 VAC	0-5 AMPS (1.66) AMPS 6-13.5 AMPS (1.66) AMPS**
			240 VAC	16 (5) AMPS
		30,000	400 VAC	4 (1) AMPS

* PARANTHESIS INDICATE INDUCTIVE LOAD RATINGS
 ** UL AND KEMA RATINGS AT THE SPECIFIC OPEN/CLOSE TEMPERATURES. WHEN APPLYING TO THESE ELECTRICAL LEVELS, NOMINAL OPEN/CLOSE TEMPERATURES MUST BE CONSIDERED TO DETERMINE IF THE THERMOSTAT SELECTED WILL OPERATE AS INTENDED IN THE USER'S APPLICATION. PLEASE CONSULT A SENSATA ENGINEER FOR ADDITIONAL CLARIFICATION

ZONE	REV.	REVISION DESCRIPTION	ECN NO.	DATE
	C	DWG. P/N WAS 1NT01L-79XX, REPLACED NOTE 3, & 1NT01L TABLE (SEE SHT. 2), ADDED P/N -8393 THRU -8400 & NEW 1NT01F TABLE: DP	ECO-255929	02-OCT-2018



FOR REFERENCE ONLY, CHECK LATEST REVISION BEFORE USE. PARTS MADE TO THIS PRINT MUST CONFORM TO E9898 REV. E.		529 PLEASANT STREET P.O. BOX 2964 ATTLEBORO, MA 02703	
DRAWN S. KONG DATE 19-APR-2017	SENSATA TECHNOLOGIES PROPRIETARY AND CONFIDENTIAL. NEITHER THIS PRINT NOR THE INFORMATION CONTAINED HEREON IS TO BE USED AGAINST THE INTERESTS OF SENSATA TECHNOLOGIES OR AGAINST THE INTERESTS OF ANY OF ITS AFFILIATED COMPANIES OR WHOLLY OWNED SUBSIDIARIES.	TITLE 1NT01X HIGH PROFILE LOOSE EAR CONFIGURATION ENVELOPE DRAWING	
ENGINEER B. CURRIER DATE 19-APR-2017	INTERPRET DIMENSIONING AND TOLERANCING PER ASME Y14.5-2009. UNLESS OTHERWISE SPECIFIED DIMENSIONS ARE IN MILLIMETERS. TOLERANCES DECIMALS ANGLES	SIZE A3	DWG NO. 1NT01X-VERT1
APPROVED D. MULLEN DATE 19-APR-2017	DO NOT SCALE DRAWING	THIRD ANGLE PROJECTION	REV. C
APPROVED R. RIVERA DATE 19-APR-2017	SCALE 1:2	SOLIDWORKS	SHEET 1 OF 2

