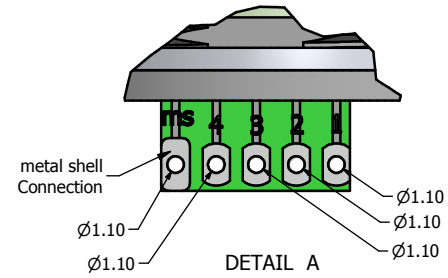
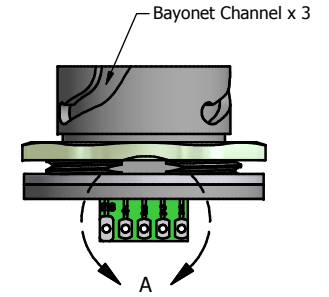


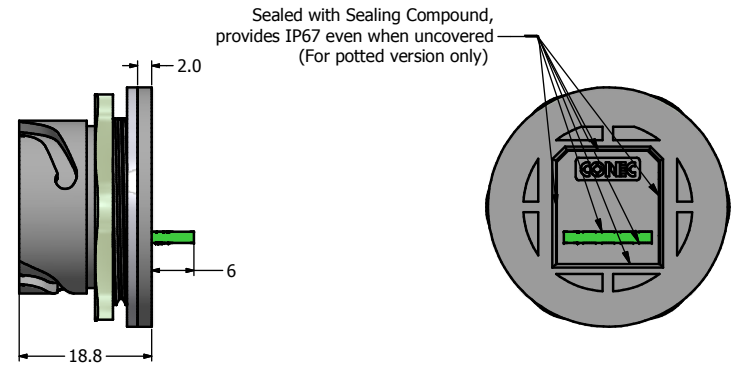
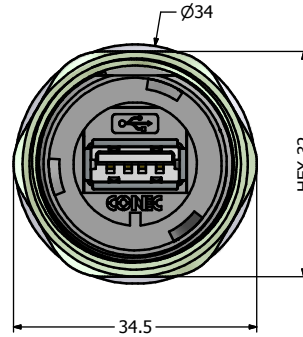
Recommended Panel Cutout



DETAIL A



A



**Notes:**

- Electrical Specifications:
  - Meets USB 2.0 Specification
  - Contact Resistance: 30 mOhm max.
  - Insulation Resistance: 1000 MOhm min. @ 100 VDC
  - Current Rating: 1.5 A max. at 25°C
  - Working Voltage: 30 V (RMS) max.
  - DWV: 500 VAC/60s at sea level
  - Operating Temperature: -40°C to +85°C
- Material and Finish:
  - Receptacle Housing (Low Profile): Polyester (Black), UL94 V-0 or Metallized ABS (Nickel Plated), UL94 V-0
  - Panel Nut: Brass, Finish: Nickel Plated
  - Panel Gasket: Silicon, Color: White
  - USB Insulator: PBT, UL94 V-0, Black
  - USB Metal Shell: Copper Alloy, Nickel Plated
  - USB Overmold material: PBT UL94 V-0, Color: Black
  - USB Contacts: Copper Alloy, Finish: 30 u" Gold min. over Nickel
  - PCB: FR-4, UL94 V-0, Color: Green
- Maximum panel thickness: 2.0 mm.
- IP67 rated when covered or fully mated with the appropriate mating connector
- Recommended Mounting Panel Nut torque is 20 to 25 lb-inch

Description	Part Number
Plastic Version with USB 2.0 Type A Female PCB Version	17-210021
Metallized Plastic Version with USB 2.0 Type A Female Version	17-210031
Potted Plastic Version with USB 2.0 Type A Female PCB Version	17-210041
Potted Metallized Plastic Version with USB 2.0 Type A Female Version	17-210051

**Pin to typical USB Cable Wiring Assignment**

Type A F	PCB	Signal Name	USB Cable
Pin1	Pin1	V <sub>bus</sub>	Red
Pin2	Pin2	D-	White
Pin3	Pin3	D+	Green
Pin4	Pin4	GND	Black
Shell	GND	GND	Drain Wire

Directive 2002/95/EC RoHS Compliant

THIS DRAWING MAY NOT BE COPIED OR REPRODUCED IN ANY WAY AND MAY NOT BE PASSED ON TO A THIRD PARTY WITHOUT WRITTEN PERMISSION. OWNERSHIP AND COPYRIGHT OF CONEC CORPORATION.	Customer:		Tolerance Unless otherwise specified 0 PLC ±0.50 1 PLC ±0.38 2 PLC ±0.25 3 PLC ±0.10 ANGLES ±3°		Scale:	Dim. in mm
	Name	Title			Approval Date	Material: See Notes
	2012 Date Name Draw. Oct. 09 Vincent Ke Appd. Oct. 09 J. Chaudry			Title: IP67 USB Receptacle Kit (Low Profile) with USB 2.0 Type A Female PCB Version		
	Rev. Changes Date Name			Drawing No.: 17K1A330 Part No.: SEE PART NUMBER TABLE		



DIN A3 Sheet 1/1