

NOTES:

1. MATERIAL:  
CAGE: NICKEL PLATED COPPER ALLOY, THICKNESS 0.25mm  
SPRING FINGER: STAINLESS STEEL.
2. PRESS FIT LEGS 3.05 LONG -  
1.57 MINIMUM PCB THICKNESS FOR SINGLE SIDED USE
3. OPTIONAL LIGHT PIPE ASSEMBLY AVAILABLE
4. PORTS ARE DESIGNED FOR SFP+ TRANSCEIVERS AND ARE COMPATIBLE WITH SFP TRANSCEIVERS
5. THIS PART MEETS THE RESTRICTION OF HAZARDOUS SUBSTANCES IN ELECTRICAL AND ELECTRONIC EQUIPMENT (ROHS) DIRECTIVE (2002/95/EC)

FUNCTIONAL SYMBOLS	THIS DRAWING CONTAINS INFORMATION THAT IS PROPRIETARY TO MOLEX ELECTRONIC TECHNOLOGIES, LLC AND SHOULD NOT BE USED WITHOUT WRITTEN PERMISSION		CURRENT REV DESC: SEE REVISION TABLE		
	DIMENSION UNITS	SCALE			
$\nabla_A = 0$	mm	3:1			SFP+ 1X2 PCI CAGE ASSY W/ PRESS-FIT LEGS, SUS SPRING FINGERS
$\nabla_C = 0$	GENERAL TOLERANCES (UNLESS SPECIFIED)				
$\nabla_P = 0$	ANGULAR TOL ± 1.0°				PRODUCT CUSTOMER DRAWING
DIVISIONAL SYMBOLS	4 PLACES ±		EC NO: 707270		
	3 PLACES ±		DRWN: PKH	2022/04/13	DOCUMENT NUMBER <b>747548224</b>
	2 PLACES ± 0.15		CHK'D: TKUMARKC	2022/05/25	
	1 PLACE ± 0.25		APPR: SCHIEN	2022/06/01	DOC TYPE PSD
	0 PLACES ±		INITIAL REVISION:		DOC PART ASY
			DRWN: PKH	2022/04/13	REVISION A
			APPR: SCHIEN	2022/06/01	
	DRAFT WHERE APPLICABLE MUST REMAIN WITHIN DIMENSIONS	THIRD ANGLE PROJECTION	DRAWING	SERIES	MATERIAL NUMBER
			C-SIZE	74754	747548224
					CUSTOMER
					SHEET NUMBER
					1 OF 4

# PCB LAYOUT FOR SINGLE SIDE MOUNT

HATCHED AREA DENOTES COMPONENTS AND TRACE KEEP-OUT (EXCEPT CHASSIS GROUND)

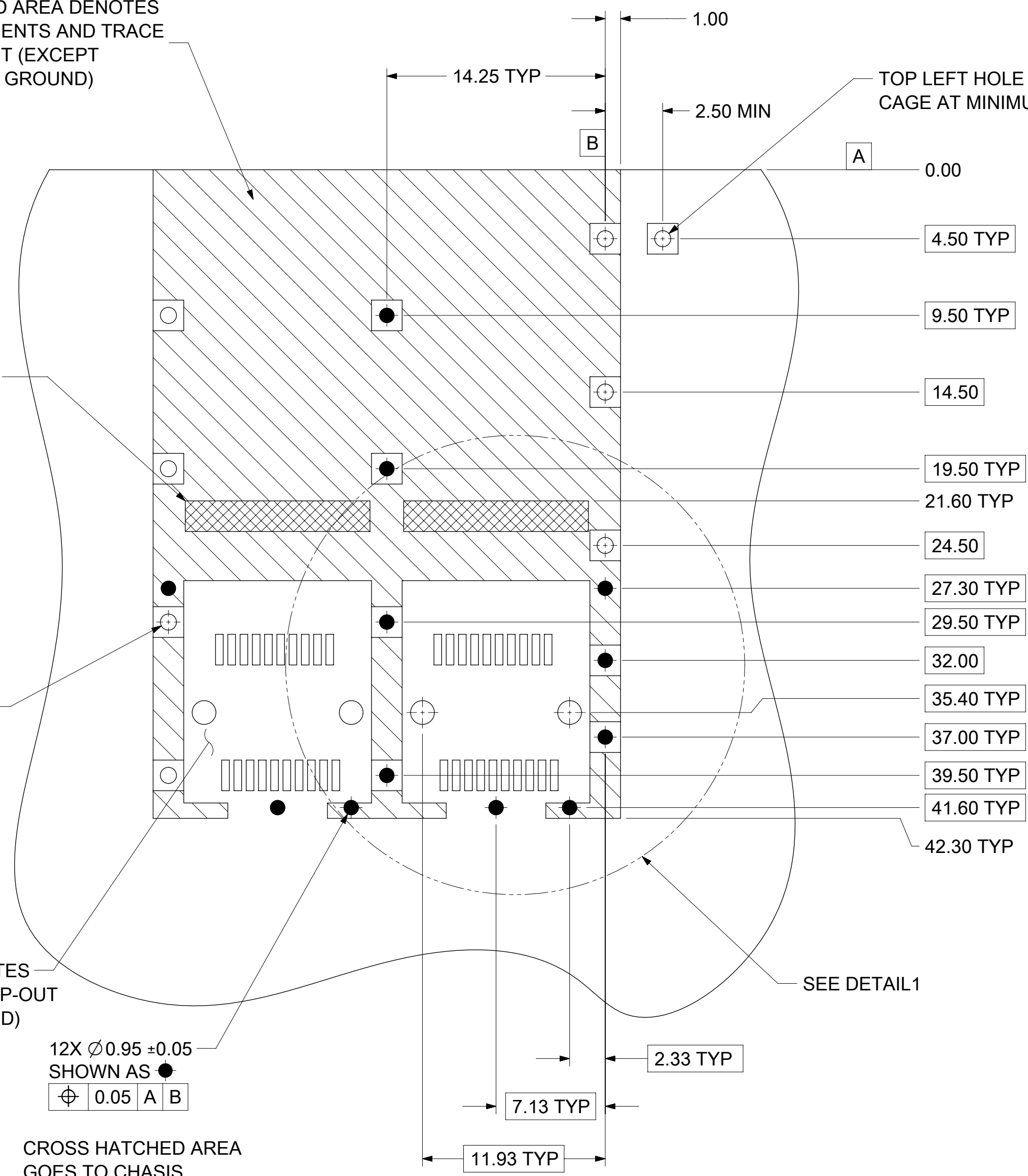
CROSS HATCHED AREA GOES TO CHASSIS GROUND (NO OSP) 2 PLCS

7X  $\varnothing 1.05 \pm 0.05$   
SHOWN AS  $\varnothing$   
 $\varnothing$  0.05 A B

THIS AREA DENOTES COMPONENT KEEP-OUT (TRACES ALLOWED)

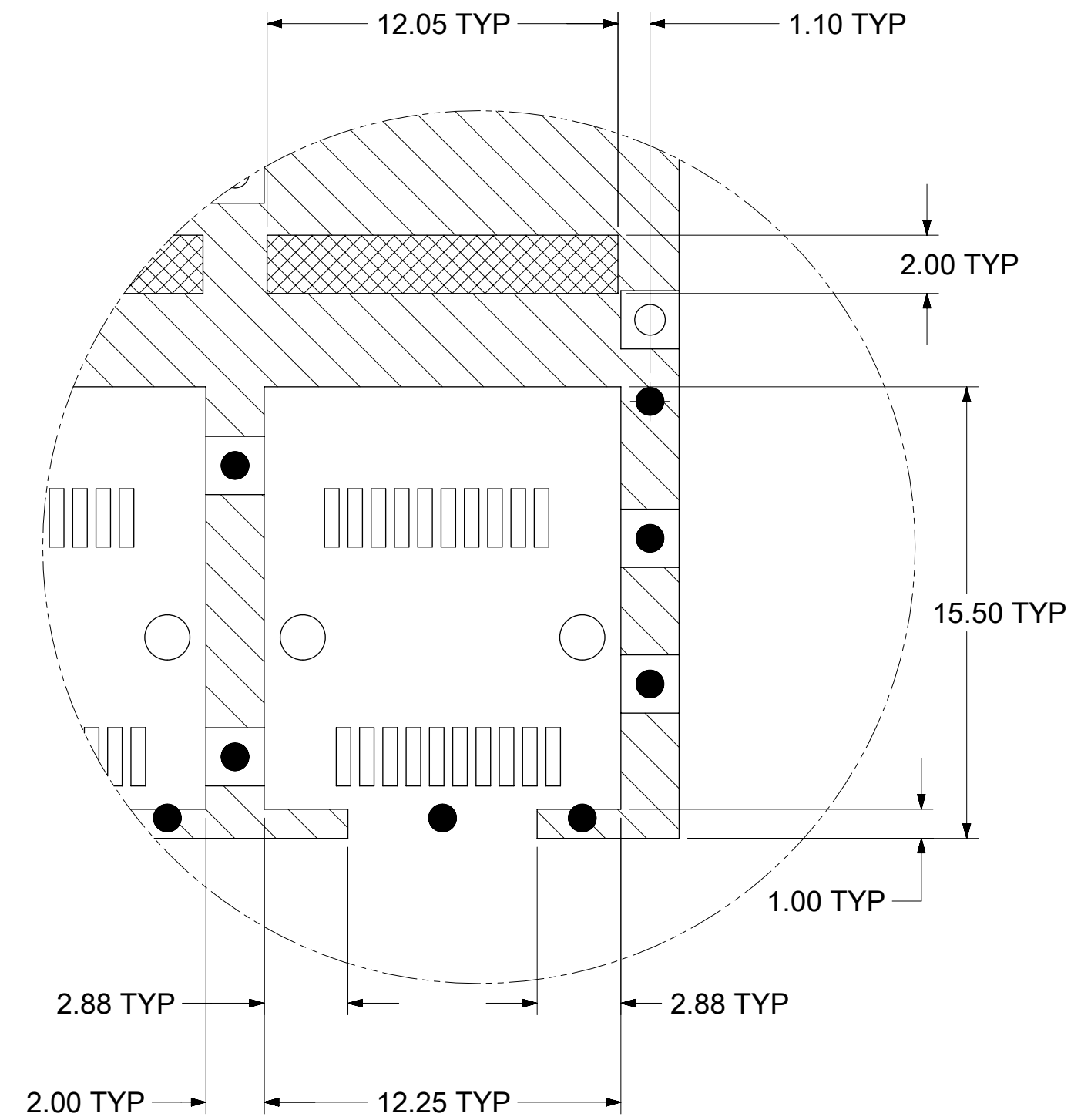
12X  $\varnothing 0.95 \pm 0.05$   
SHOWN AS  $\bullet$   
 $\varnothing$  0.05 A B

CROSS HATCHED AREA GOES TO CHASSIS GROUND (NO OSP)



TOP LEFT HOLE OF ADJACENT CAGE AT MINIMUM SPACING

SEE DETAIL 1



DETAIL 1  
SCALE 5:1  
HOST CONNECTOR DETAIL

NOTES:

1. PADS AND VIAS CONNECT TO CHASSIS GROUND (RECOMMEND PADS TO BE 2.00mm SQUARE)
2. RECOMMENDED THRU HOLE PLATING INCLUDES HASL, OSP, OR IMMERSION (GOLD, SILVER, OR TIN).
3. CONNECTOR PAD LAYOUT PER SFP+ MSA WILL ACCOMMODATE MOLEX CONNECTOR SERIES 74441 OR EQUIVALENT.
4. HOLE PATTERN REPEATS FOR EACH PORT. SPACING BETWEEN PORTS IS 14.25mm.

FUNCTIONAL SYMBOLS	THIS DRAWING CONTAINS INFORMATION THAT IS PROPRIETARY TO MOLEX ELECTRONIC TECHNOLOGIES, LLC AND SHOULD NOT BE USED WITHOUT WRITTEN PERMISSION		CURRENT REV DESC: SEE REVISION TABLE				
	DIMENSION UNITS	SCALE					
$\varnothing$ = 0	mm	4:1					
$\nabla$ = 0	GENERAL TOLERANCES (UNLESS SPECIFIED)						
	ANGULAR TOL $\pm 1.0^\circ$						
DIVISIONAL SYMBOLS	4 PLACES	$\pm$	EC NO: 707270	2022/04/13			
	3 PLACES	$\pm$	DRWN: PKH	2022/05/25			
	2 PLACES	$\pm 0.15$	CHK'D: TKUMARKC	2022/06/01			
	1 PLACE	$\pm 0.25$	APPR: SCHIEN				
0 PLACES	$\pm$	INITIAL REVISION:					
DRAFT WHERE APPLICABLE MUST REMAIN WITHIN DIMENSIONS		THIRD ANGLE PROJECTION	DRAWING	SERIES	MATERIAL NUMBER	CUSTOMER	SHEET NUMBER
			C-SIZE	74754	747548224		2 OF 4

**molex**

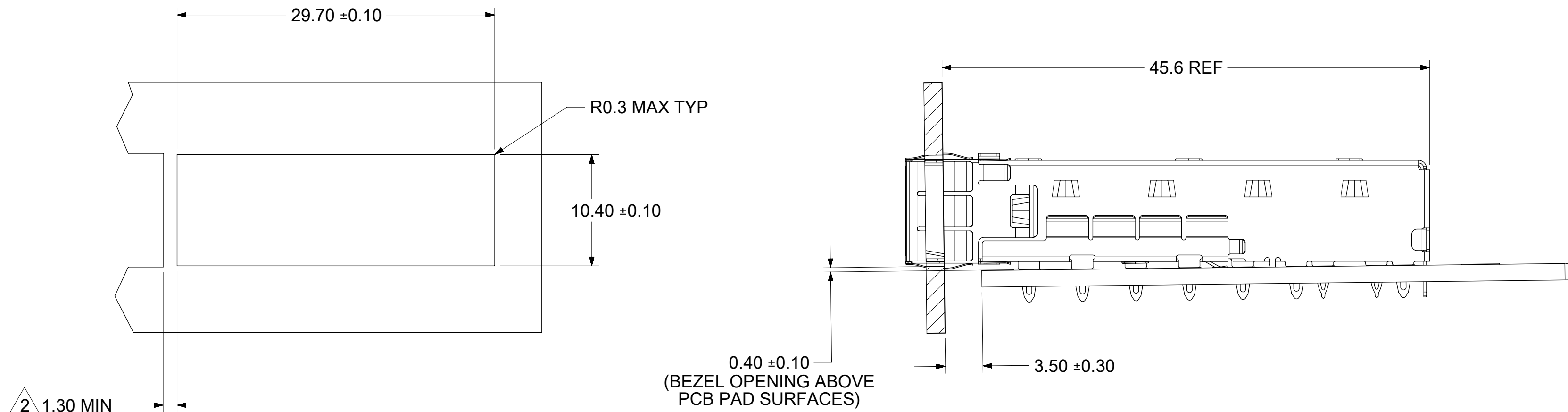
SFP+ 1X2 PCI CAGE ASSY  
W/ PRESS-FIT LEGS, SUS SPRING FINGERS

PRODUCT CUSTOMER DRAWING

DOCUMENT NUMBER  
**747548224**

DOC TYPE DOC PART REVISION  
PSD ASY A

# BEZEL AND BOARD POSITION DIMENSIONS FOR SINGLE SIDE MOUNTING (SPRING FINGER)



- NOTE:
1. PCB THICKNESS VARIATION MUST BE CONSIDERED WHEN DETERMINING BEZEL OPENING LOCATION.
  2. THIS DIMENSION IS FOR REFERENCE ONLY. USER CAN MODIFY UT DEPENDS ON APPLICATION.  
(THIS DIMENSION VARIES BASED ON DISTANCE OF "HOLE OF ADJACENT CAGE" ON PCB LAYOUT.)

<b>FUNCTIONAL SYMBOLS</b>	THIS DRAWING CONTAINS INFORMATION THAT IS PROPRIETARY TO MOLEX ELECTRONIC TECHNOLOGIES, LLC AND SHOULD NOT BE USED WITHOUT WRITTEN PERMISSION										
$\nabla_A = 0$	DIMENSION UNITS	SCALE	CURRENT REV DESC: SEE REVISION TABLE							<h1 style="margin: 0;">molex</h1>	
$\nabla_C = 0$	mm	3:1	GENERAL TOLERANCES (UNLESS SPECIFIED)								
$\nabla_P = 0$	ANGULAR TOL ± 1.0°		4 PLACES ±		EC NO: 707270		2022/04/13		SFP+ 1X2 PCI CAGE ASSY W/ PRESS-FIT LEGS, SUS SPRING FINGERS		
DIVISIONAL SYMBOLS			3 PLACES ±		DRWN: PKH		2022/05/25				
			2 PLACES ± 0.15		CHK'D: TKUMARKC		2022/06/01		PRODUCT CUSTOMER DRAWING		
			1 PLACE ± 0.25		APPR: SCHIEN		INITIAL REVISION:		DOCUMENT NUMBER		
			0 PLACES ±		DRWN: PKH		2022/04/13		747548224		
			APPR: SCHIEN		2022/06/01		MATERIAL NUMBER		CUSTOMER		
DRAFT WHERE APPLICABLE MUST REMAIN WITHIN DIMENSIONS			THIRD ANGLE PROJECTION		DRAWING		SERIES		SHEET NUMBER		
					C-SIZE		74754		3 OF 4		

REV	DATE	DESCRIPTION
A	2022/05/25	INITIAL RELEASE

FUNCTIONAL SYMBOLS	THIS DRAWING CONTAINS INFORMATION THAT IS PROPRIETARY TO MOLEX ELECTRONIC TECHNOLOGIES, LLC AND SHOULD NOT BE USED WITHOUT WRITTEN PERMISSION										
DIMENSION UNITS		SCALE		CURRENT REV DESC: SEE REVISION TABLE							
mm		1:1									
GENERAL TOLERANCES (UNLESS SPECIFIED)											
ANGULAR TOL ± 1.0°				EC NO: 707270							
4 PLACES ±				DRWN: PKH 2022/04/13							
3 PLACES ±				CHK'D: TKUMARKC 2022/05/25							
2 PLACES ± 0.15				APPR: SCHIEN 2022/06/01							
1 PLACE ± 0.25				INITIAL REVISION:							
0 PLACES ±				DRWN: PKH 2022/04/13							
DRAFT WHERE APPLICABLE MUST REMAIN WITHIN DIMENSIONS				THIRD ANGLE PROJECTION		DRAWING		SERIES		DOCUMENT NUMBER	
						C-SIZE		74754		747548224	
										DOC TYPE   DOC PART   REVISION	
										PSD   ASY   A	
										MATERIAL NUMBER   CUSTOMER   SHEET NUMBER	
										747548224     4 OF 4	

**molex**

SFP+ 1X2 PCI CAGE ASSY  
W/ PRESS-FIT LEGS, SUS SPRING FINGERS

PRODUCT CUSTOMER DRAWING