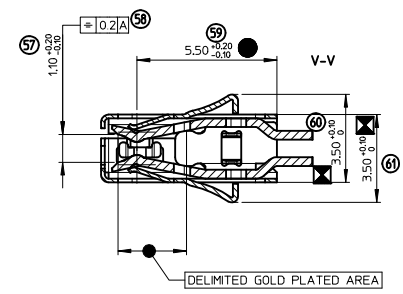
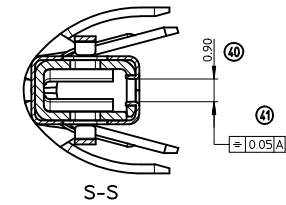
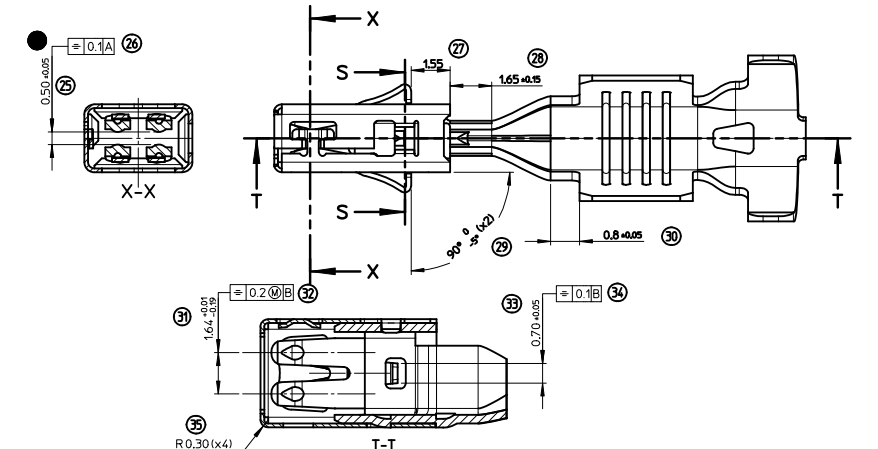
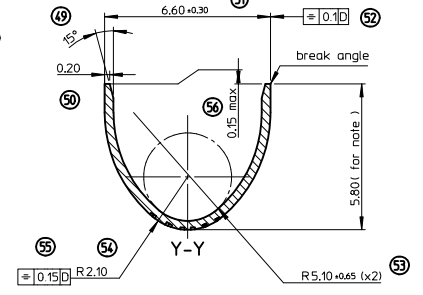
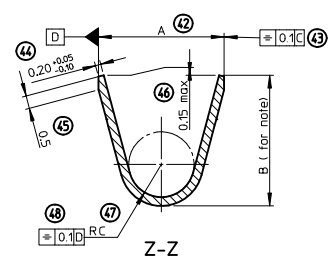
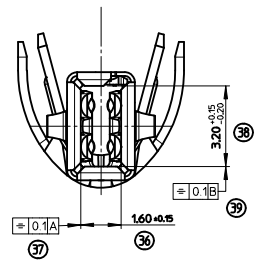
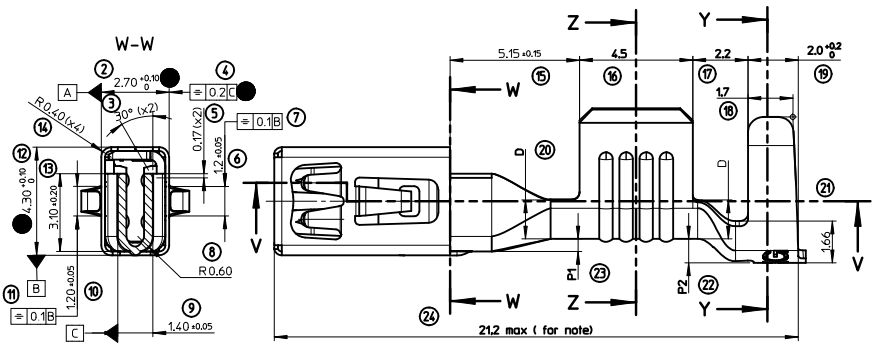
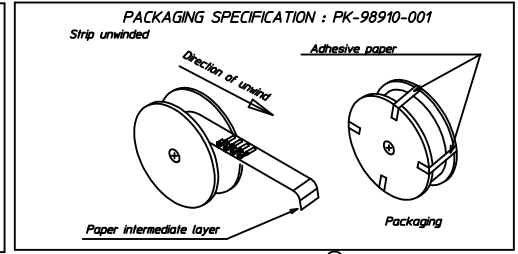
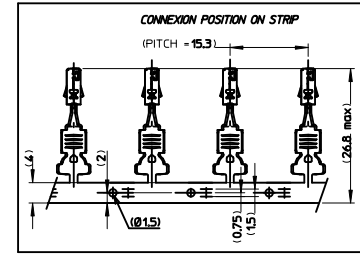


Engineering Control ID

MXG

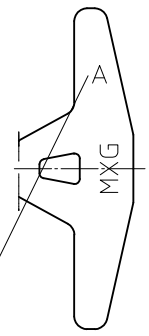


NOTE:  
- CRIMPING SPECIFICATION ACCORDING TO AS-64324-001

2	BOX TERMINAL	STAINLESS STEEL thickness : 0.15 mm
1	BODY TERMINAL	HIGH CONDUCTIVITY COPPER ALLOY thickness : 0.35 mm
MARK	DESIGNATION	MATERIAL

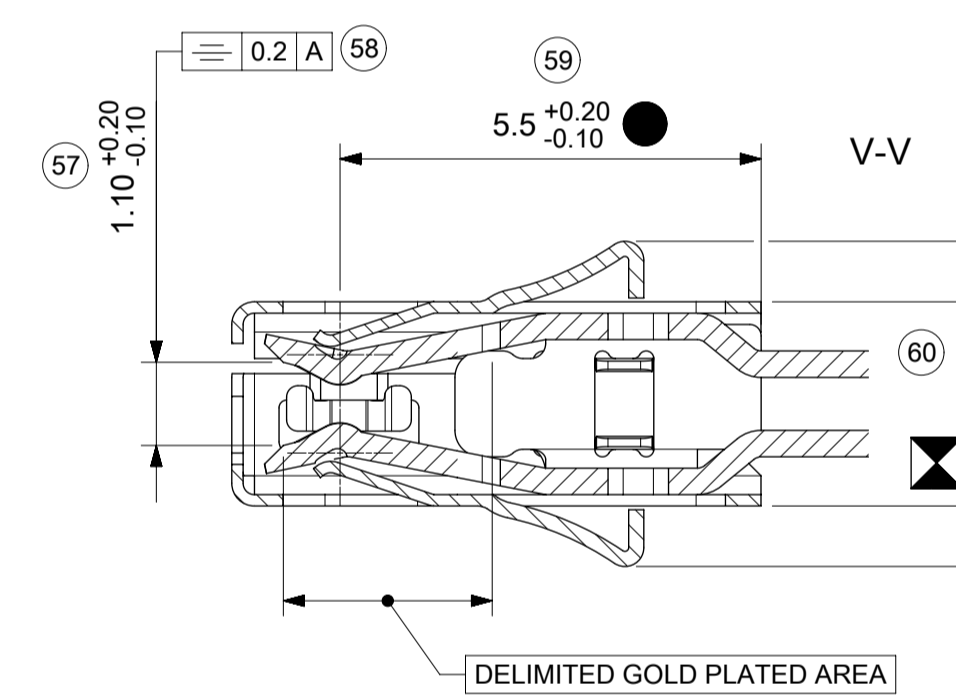
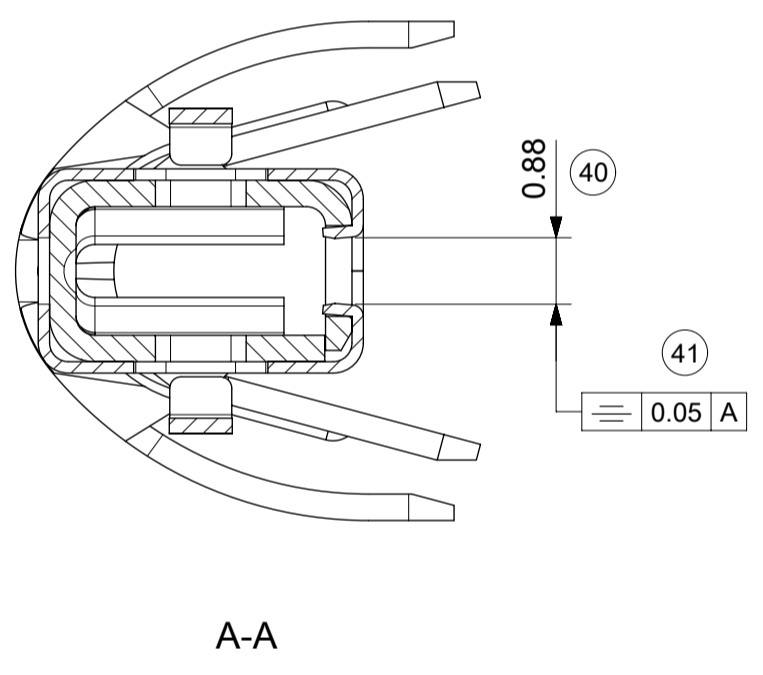
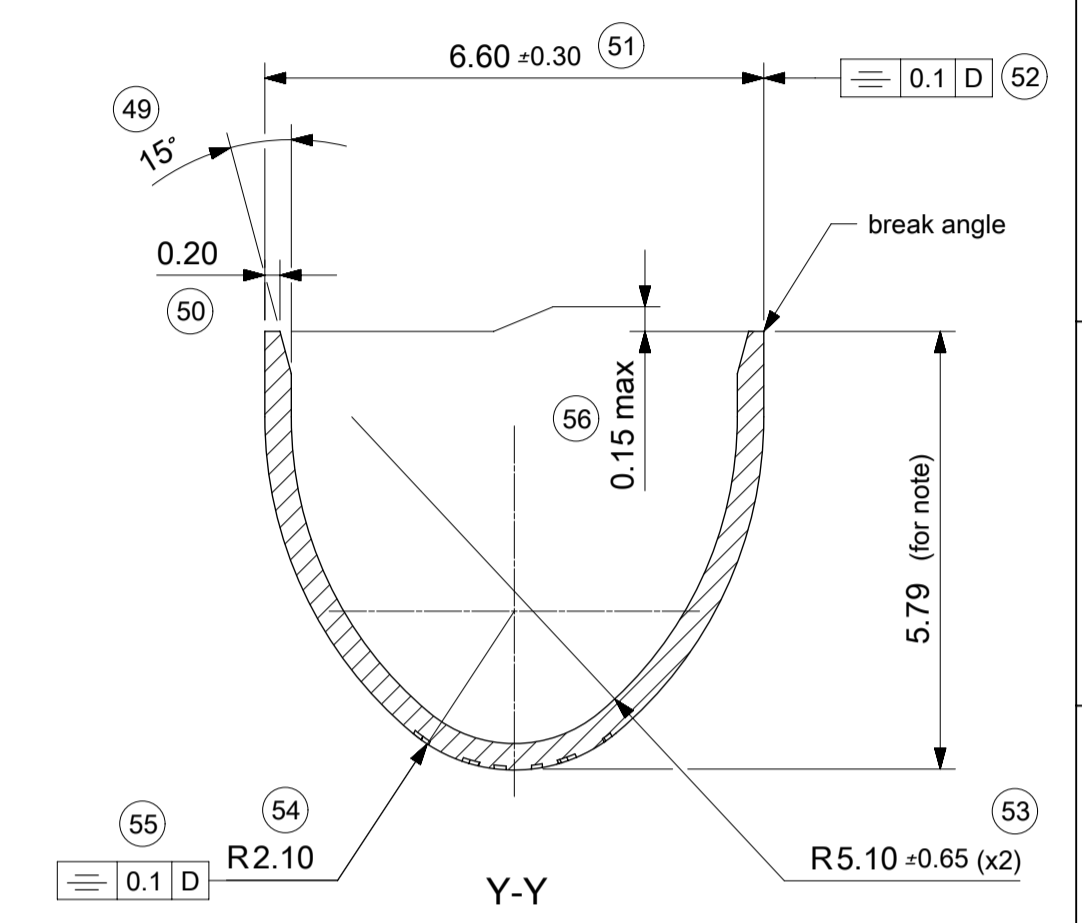
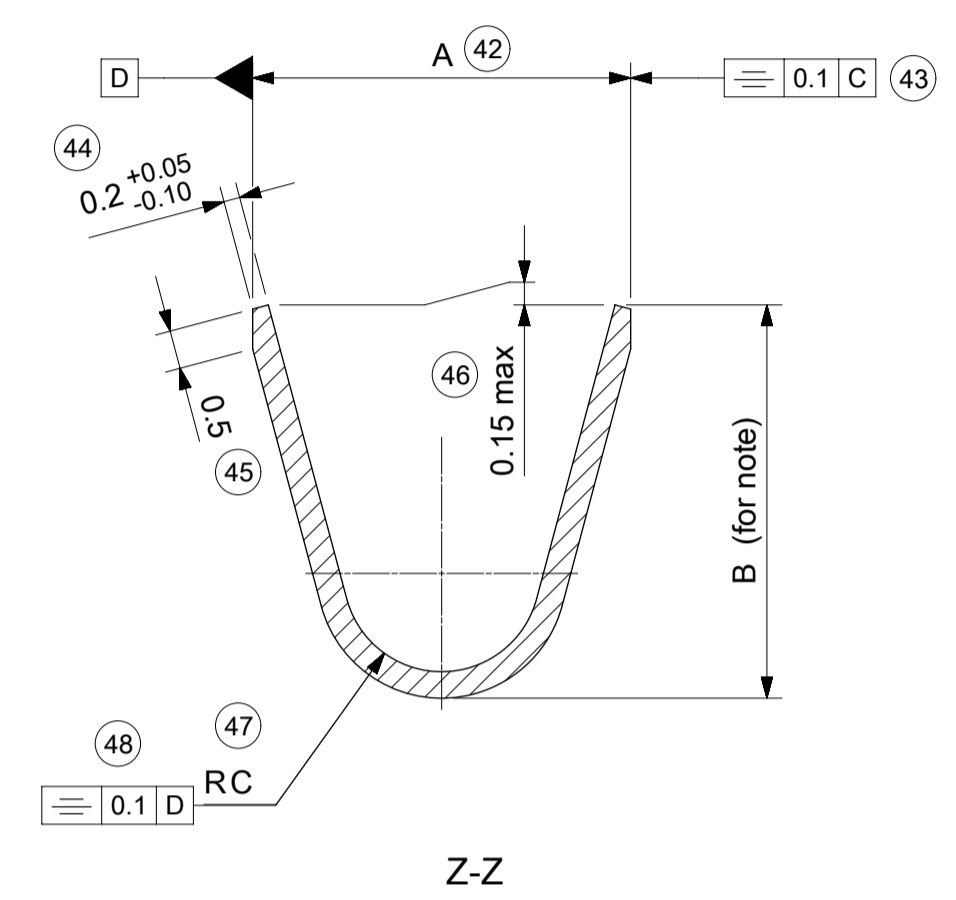
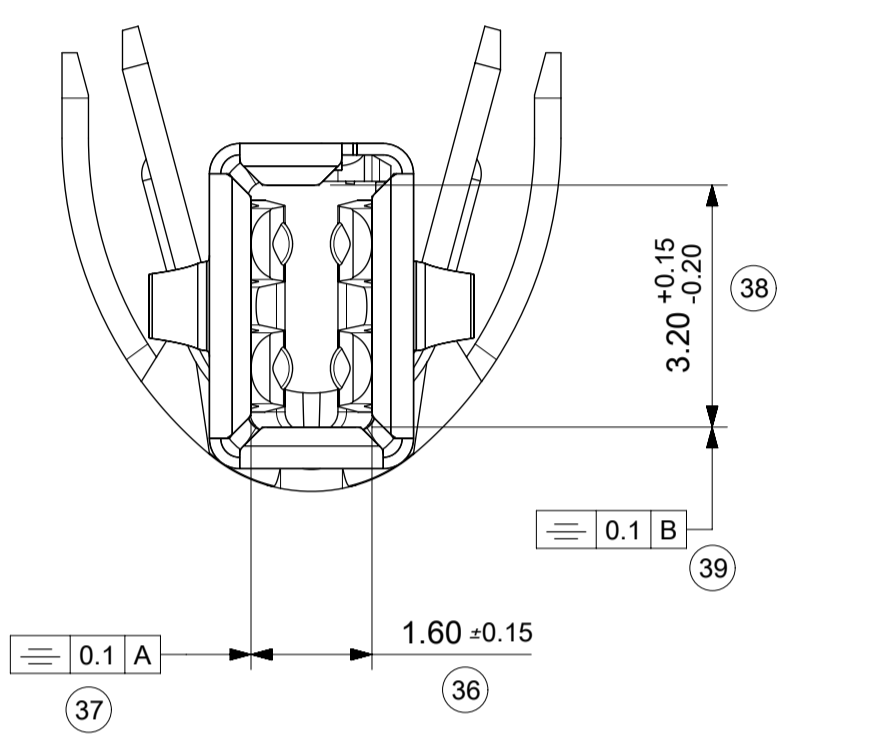
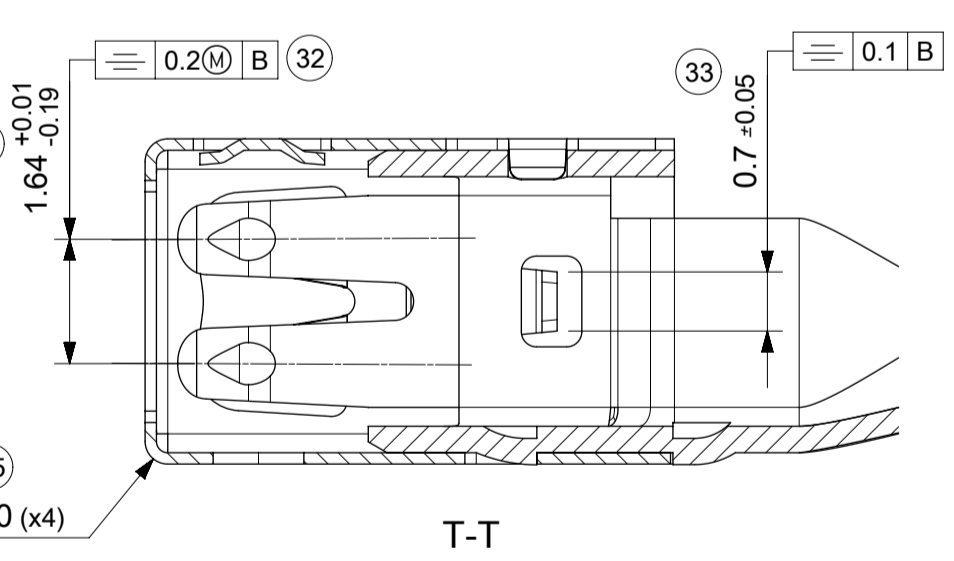
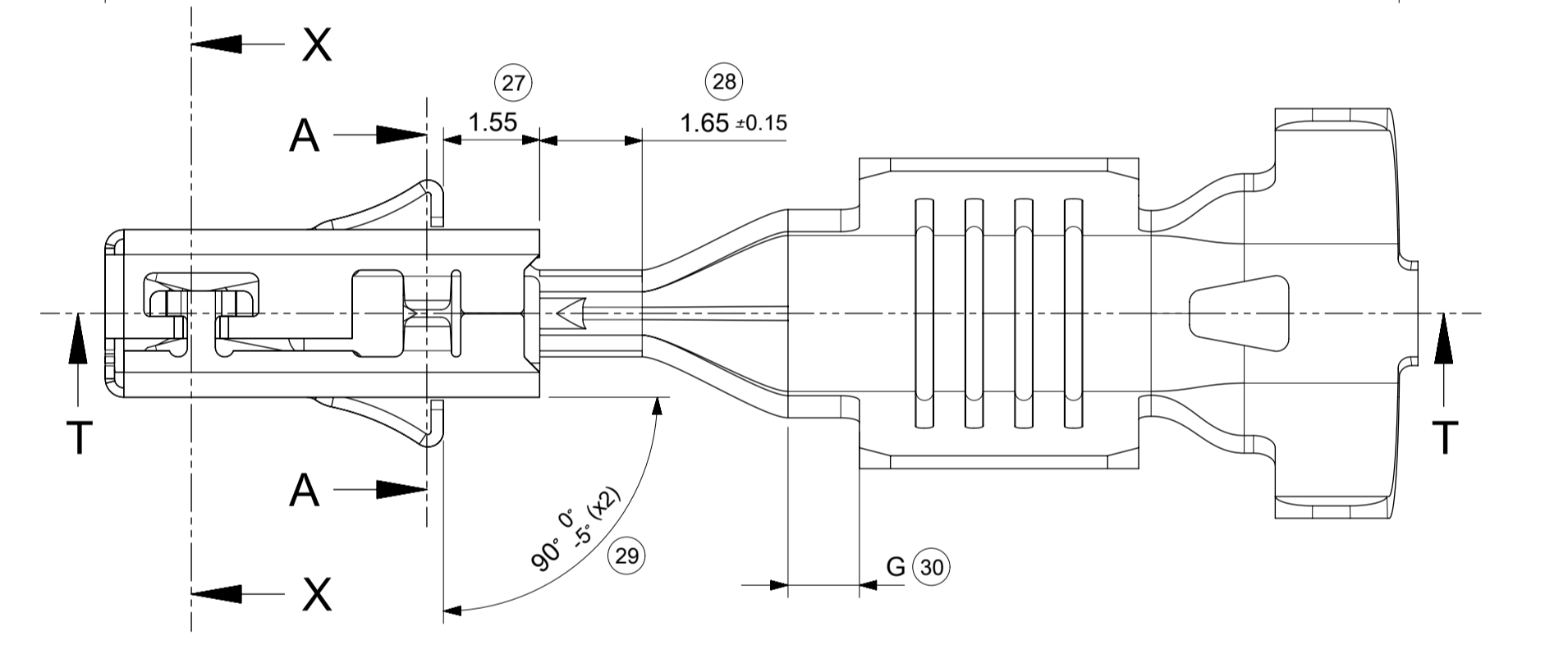
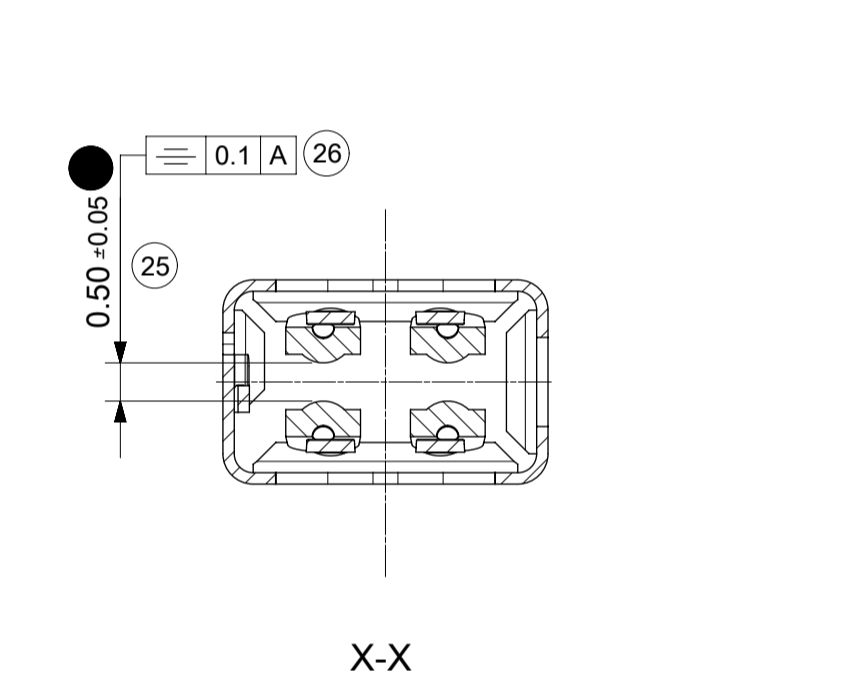
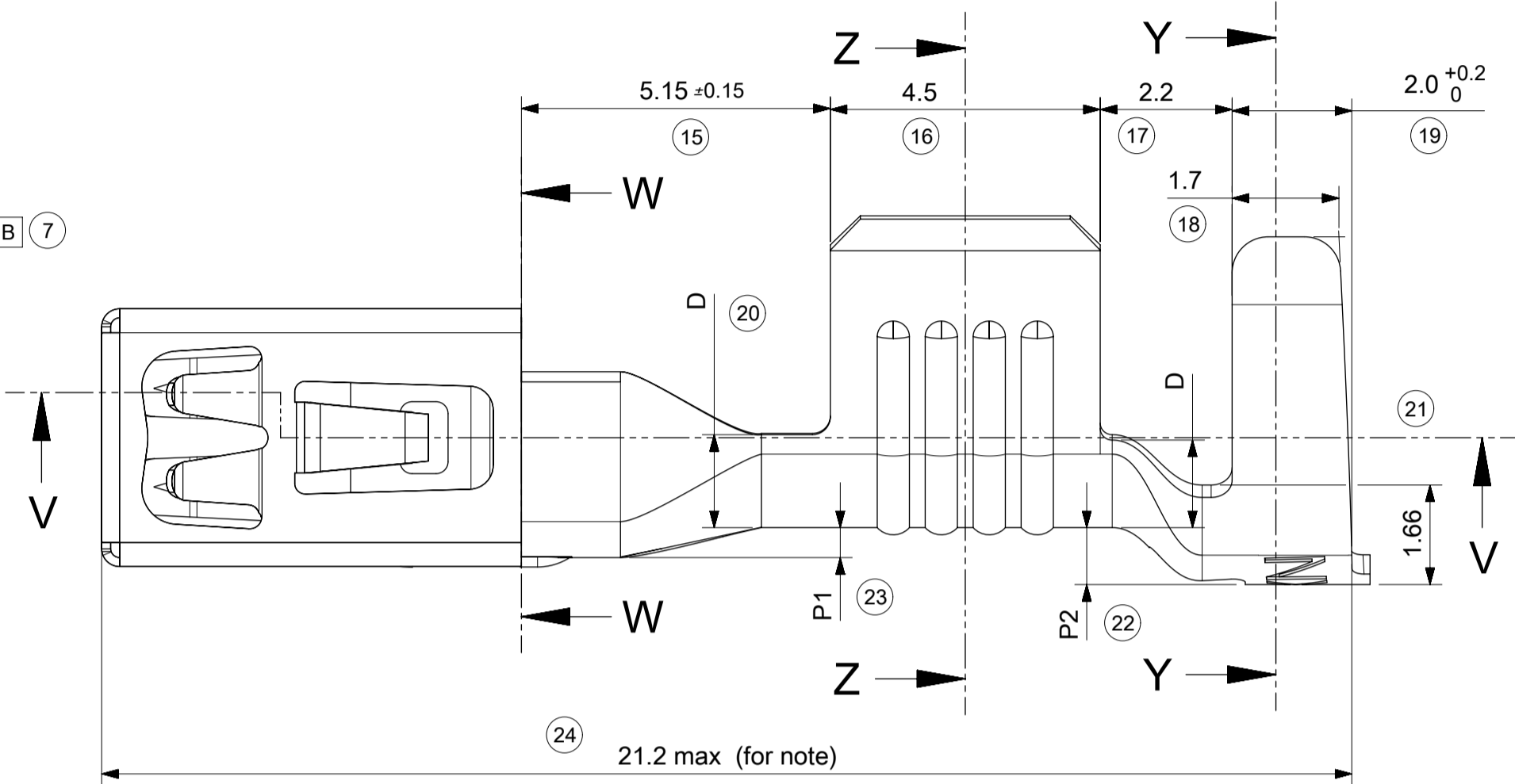
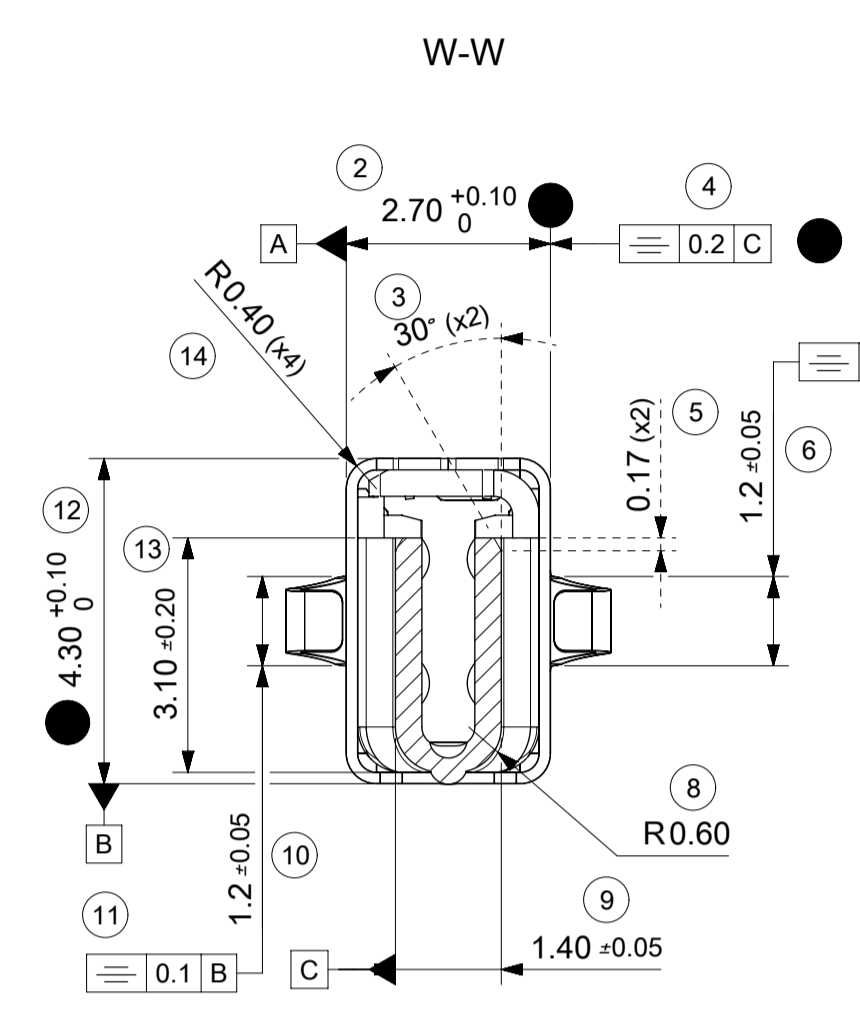
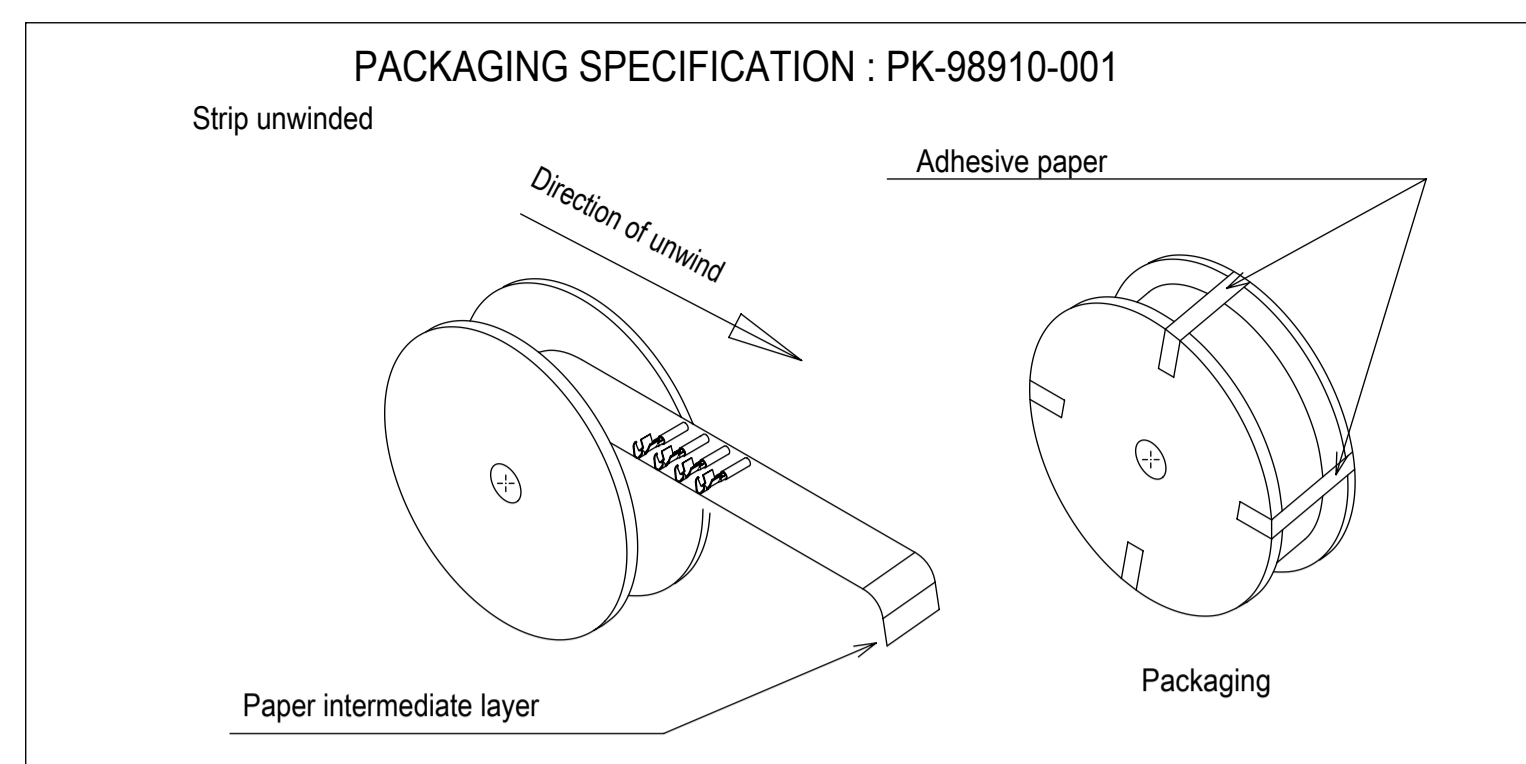
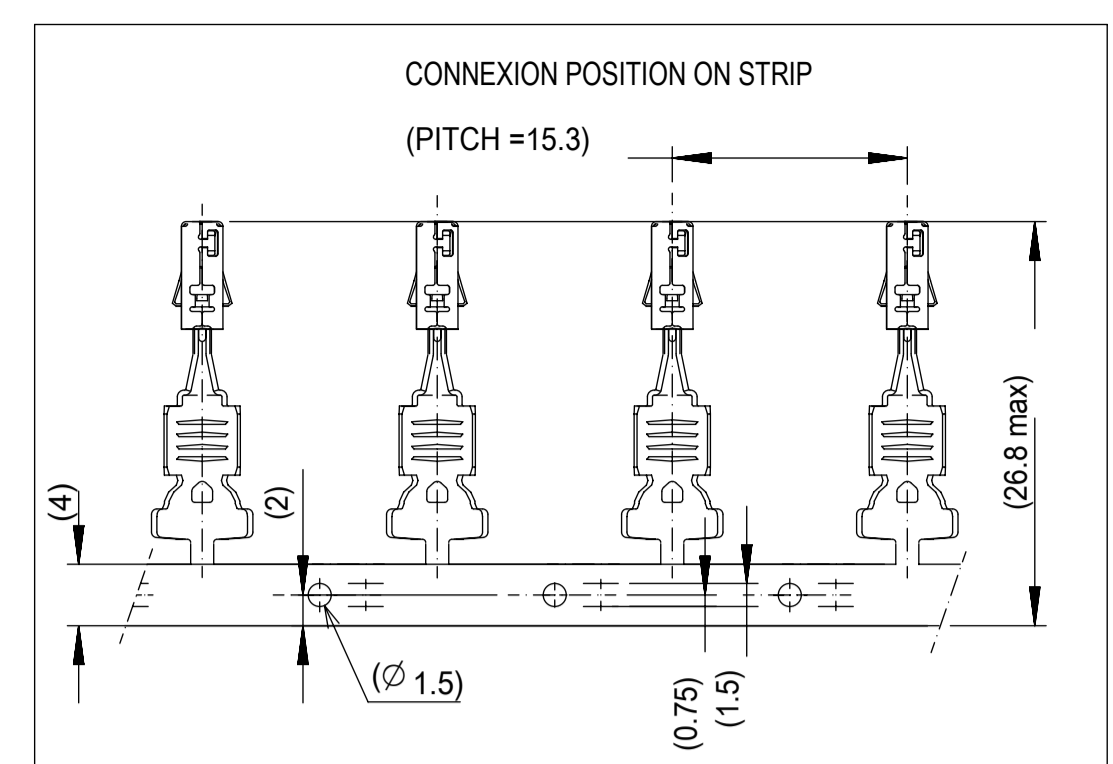
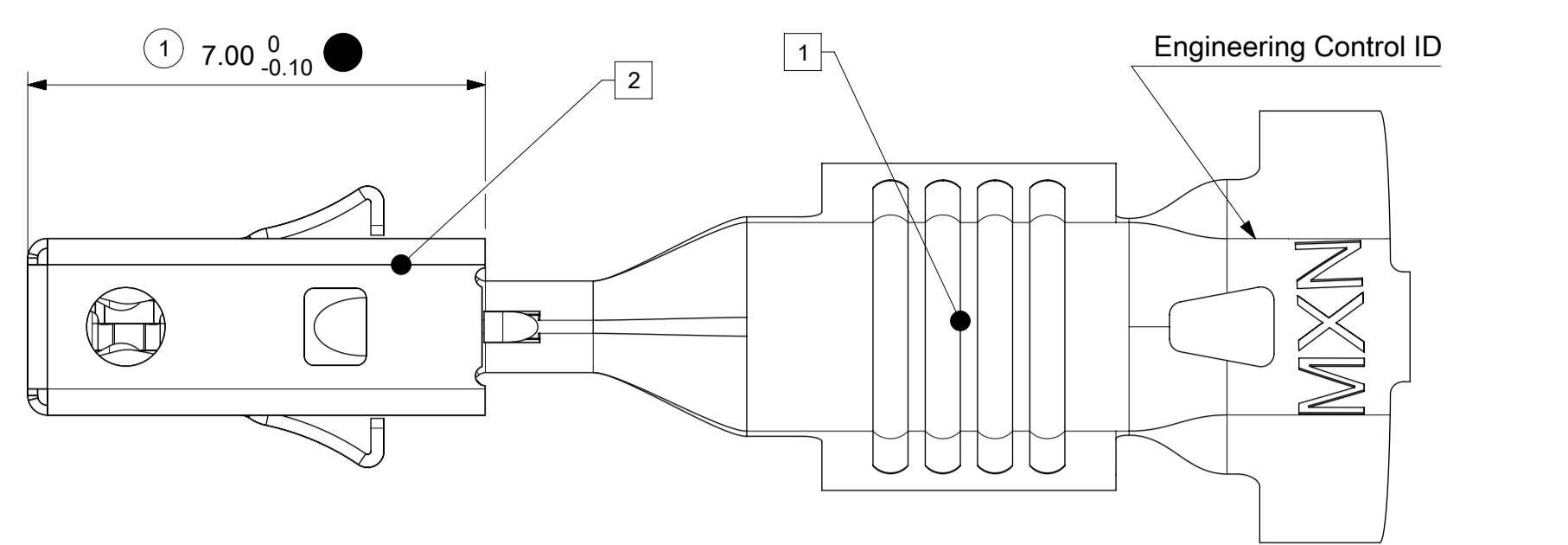
MATERIAL NUMBER	CONTACT AREA	CRIMPING AREA PLATING	UNDERLAYER	CRIMPING RANGE (mm <sup>2</sup> )	A	B	rC	+0.1	D	+0.1	P1	+0.1	P2	+0.1	WEIGHT (g)	Identification
0643241119	Au	1.27μ MINI	Sn	Ni	>3 TO 5	5.0	5.2	1.3	1.55	0.5	0.95	0.4902				D
0643241019		Sn										0.4795				
0643241129	Au	1.27μ MINI	Sn	Ni	>2 TO 3	4.1	4.4	1.0	1.45	0.5	0.95	0.4604				C
0643241029		Sn										0.4470				
0643241139	Au	1.27μ MINI	Sn	Ni	>1 TO 2	4.1	3.5	0.9	1.3	0.6	1.3	0.4274				B
0643241039		Sn										0.4191				
0643241149	Au	1.27μ MINI	Sn	Ni	0.50 TO 1	2.8	2.6	0.7	1.1	0.6	1.3	0.3916				A
0643241049		Sn										0.3815				

crimp range identification



(SKC)	COTES CARACTERISTIQUES SPECIALES
(SKC)	SPECIAL KEY CHARACTERISTICS
⊗	INDICATION DIMENSIONS S.P.C
⊗	DENOTES S.P.C DIMENSIONS
⊗	INDICATION DIMENSIONS CRITIQUES
⊗	DENOTES CRITICAL DIMENSIONS
⊗	INDICATION DIMENSIONS FONCTIONNELLES
⊗	DENOTES FUNCTIONAL DIMENSIONS
QUANTITE PAR FEUILLE INDIVIDUELLE	
QUANTITY PER INDIVIDUAL SHEET	
⊗ 2	⊗ 0
⊗ 6	(SKC) 0

REVISED EC NO: G2072-0072 DRW: PERSQUAIN 2011/11/23 CHKD: PLESSIS 2011/11/23 APPR: BOUCHAN 2012/01/04	DESCRIPTION	GENERAL TOLERANCES (UNLESS SPECIFIED)		DIMENSION STYLE		SCALE	DESIGN UNITS	FIRST ANGLE PROJECTION	
		mm	INCH	MM ONLY		10:1	METRIC	CP RCPT TRM 2.8	
DRAFT WHERE APPLICABLE MUST REMAIN WITHIN DIMENSIONS	SEE CHART	4 PLACES ± --- ± ---	VGUERIN	DATE	2007/11/07	MATERIAL NO. DOCUMENT NO. SHEET NO.			
		3 PLACES ± --- ± ---	CHECKED BY	DATE	2007/11/07				
		2 PLACES ± 0.10 ± ---	FPAROLARI	DATE	2007/11/07	MOLEX INCORPORATED SD-64324-001 1 OF 1			
		1 PLACE ± 0.1 ± ---	APPROVED BY	DATE	2007/11/07				
		ANGULAR ± 2°							

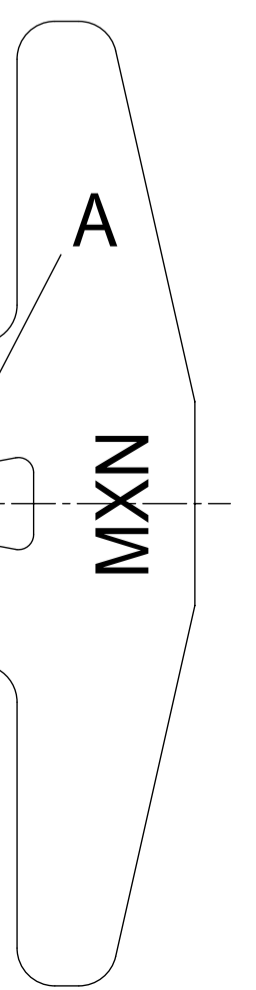


NOTE:  
- CRIMPING SPECIFICATION ACCORDING TO AS-64324-001

2	BOX TERMINAL	STAINLESS STEEL thickness : 0.15 mm
1	BODY TERMINAL	HIGH CONDUCTIVITY COPPER ALLOY thickness : 0.35 mm
MARK	DESIGNATION	MATERIAL

MATERIAL NUMBER	CONTACT AREA	CRIMPING AREA	UNDERLAYER	CRIMPING RANGE (mm <sup>2</sup> )	A ±0.2	B	Rc ±0.1	G ±0.05	D ±0.1	P1 ±0.1	P2 ±0.1	WEIGHT (g)	Identification
0643241119	Au 1.27μ MINI	Sn	Ni	>3 TO 5	5.0	5.2	1.3	0.8	1.55	0.5	0.95	0.4902	D
0643241019	Sn	Sn	Ni	>3 TO 5	5.0	5.2	1.3	0.8	1.55	0.5	0.95	0.4795	D
0643241129	Au 1.27μ MINI	Sn	Ni	>2 TO 3	4.1	4.4	1.0	0.8	1.45	0.5	0.95	0.4604	C
0643241029	Sn	Sn	Ni	>2 TO 3	4.1	4.4	1.0	0.8	1.45	0.5	0.95	0.4470	C
0643241139	Au 1.27μ MINI	Sn	Ni	>1 TO 2	4.1	3.5	0.9	0.8	1.3	0.6	1.3	0.4274	B
0643241039	Sn	Sn	Ni	>1 TO 2	4.1	3.5	0.9	0.8	1.3	0.6	1.3	0.4191	B
0643241149	Au 1.27μ MINI	Sn	Ni	0.50 TO 1	2.8	2.6	0.7	1.15	1.1	0.6	1.3	0.3916	A
0643241049	Sn	Sn	Ni	0.50 TO 1	2.8	2.6	0.7	1.15	1.1	0.6	1.3	0.3815	A

crimping range identification



(SKC) COTES CARACTERISTIQUES SPECIALES  
SPECIAL KEY CHARACTERISTICS

INDICATION DIMENSIONS S.P.C  
DENOTES S.P.C DIMENSIONS

INDICATION DIMENSIONS CRITIQUES  
DENOTES CRITICAL DIMENSIONS

INDICATION DIMENSIONS FONCTIONNELLES  
DENOTES FUNCTIONAL DIMENSIONS

QUANTITE PAR FEUILLE INDIVIDUELLE  
QUANTITY PER INDIVIDUAL SHEET

2 0 6 (SKC) 0

THIS DRAWING CONTAINS INFORMATION THAT IS PROPRIETARY TO MOLEX ELECTRONIC TECHNOLOGIES, LLC AND SHOULD NOT BE USED WITHOUT WRITTEN PERMISSION

DIMENSION UNITS: mm SCALE: 10:1

GENERAL TOLERANCES (UNLESS SPECIFIED):  
ANGULAR TOL ± 2.0°  
4 PLACES ± 0.1  
3 PLACES ± 0.1  
2 PLACES ± 0.1  
1 PLACE ± 0.1  
0 PLACES ±

CURRENT REV DESC: NX RE-MASTERING.  
CHANGED ENGINEERING CONTROL ID FROM MXG TO MXN.

EC NO: 607772  
DRWN: GMANIVANNAN 2018/04/05  
CHK'D: TBADAROUX 2018/11/21  
APPR: SLAFAURE 2018/11/26

INITIAL REVISION:  
DRWN: VGUERIN 2007/11/07  
APPR: LSTICKER 2007/11/07

DRAFT WHERE APPLICABLE MUST REMAIN WITHIN DIMENSIONS

FIRST ANGLE PROJECTION DRAWING SERIES: A1-SIZE 64324

MATERIAL NUMBER: SD-64324-001  
CUSTOMER: GENERAL MARKET  
SHEET NUMBER: 1 OF 1

DOCUMENT NUMBER: PSD 001 D1  
DOC TYPE: PSD  
DOC PART: 001  
REVISION: D1

PRODUCT CUSTOMER DRAWING  
CP RCPT TRM 2.8