

TPS560430-Q1 Evaluation Module

The Texas Instruments TPS560430QEVM evaluation module (EVM) helps designers evaluate the operation and performance of the TPS560430-Q1 wide-input synchronous buck regulator. This document describes the setup and the input / output connections of the EVM. Included are the board layout, schematic and bill of materials.

Contents

1	Introduction	2
2	Setup	3
3	TPS560430QEVM Schematic.....	3
4	Board Layout	4
5	List of Materials	5

List of Figures

1	TPS560430QEVM Board.....	2
2	Enable Jumper Setting	3
3	TPS560430QEVM Schematic.....	3
4	Top Layer	4
5	Bottom Layer	4

List of Tables

1	Device and Package Configurations	2
2	TPS560430XFEVM List of Materials	5

Trademarks

All trademarks are the property of their respective owners.

1 Introduction

The Texas Instruments TPS560430QEVM evaluation module (EVM) helps designers evaluate the operation and performance of the TPS560430-Q1 wide-input buck regulator.

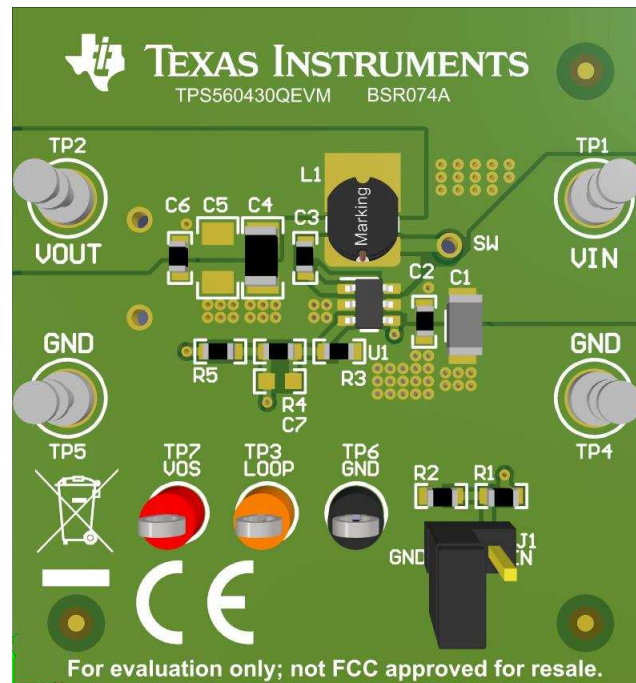


Figure 1. TPS560430QEVM Board

EVM Features

- 7.5-V to 36-V input voltage range
- Accurate 5-V output
- Up to 600-mA output current
- Switching frequency 2.1 MHz
- Hiccup mode short current protection
- Internal compensation

The EVM contains one DC/DC converter (See [Table 1](#))

Table 1. Device and Package Configurations

CONVERTER	EVM	DEVICE	PACKAGE
U1	TPS560430QEVM	TPS560430-Q1	SOT23-6

2 Setup

This section describes the jumpers and connectors on the EVM and how to properly connect, set up and use the TPS560430XFEVM.

2.1 Input/Output Connector Description

VIN — Terminal TP1 – is the power input terminal for the converter. Adjacent to it is the GND reference ground. Use this terminal to attach the EVM to a cable harness.

VOUT — Terminal TP2 – is the regulated output voltage for the converter. Adjacent to it is the GND reference ground.

GND — Terminal TP4, TP5 – are the ground reference for the converter. Use these terminals to attach the EVM to a cable harness.

EN — Jumper J1 – is used to enable the switch-mode converter. The device will be enabled when the EN pin is high, and disabled when low. EN turn off trip point also can be programmed by changing R1 or R2. Refer to [TPS560430](#) datasheet for enable and adjustable under-voltage lockout.

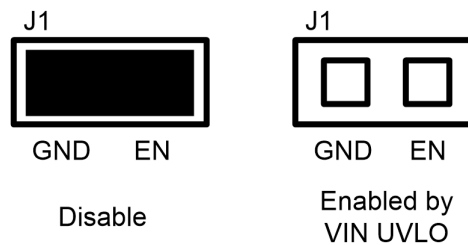


Figure 2. Enable Jumper Setting

Testpoint — TP3, TP6, TP7 – these are test points used for loop response measurements.

2.2 Adjusting the Output Voltage

If other outputs need to be configured, adjust the feedback resistors using the following equation.

$$V_{OUT} = V_{REF} \times (1 + (R4 / R3))$$

where

- V_{REF} is 1.0 V

(1)

3 TPS560430QEVM Schematic

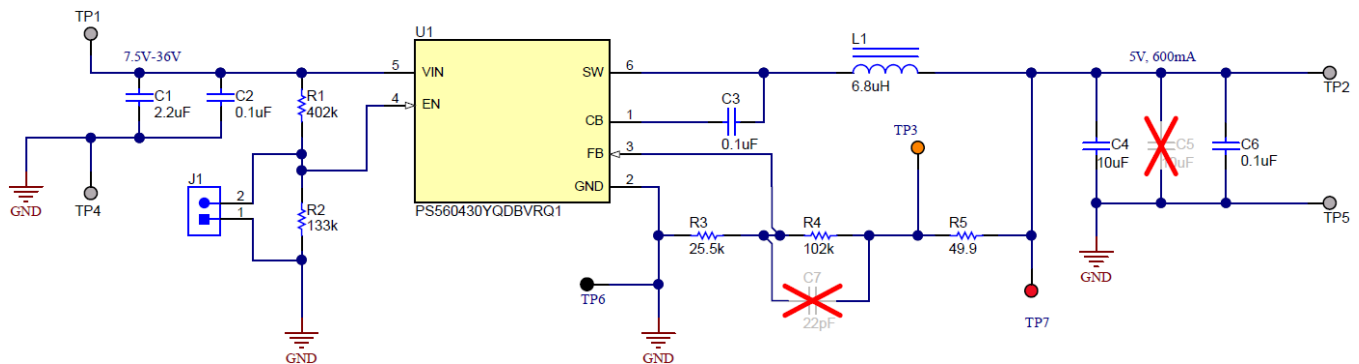


Figure 3. TPS560430QEVM Schematic

4 Board Layout

Figure 4 and Figure 5 show the board layout for the TPS560430QEV. The PCB consists of a 2-layer design. The board size is 38 mm x 41 mm, 1-oz copper planes is applied on both layers.

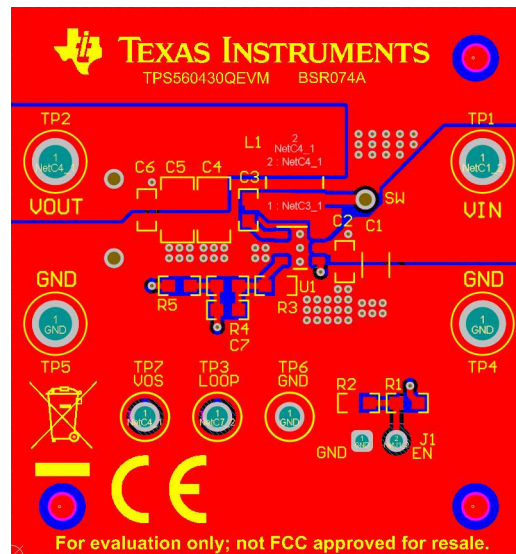


Figure 4. Top Layer

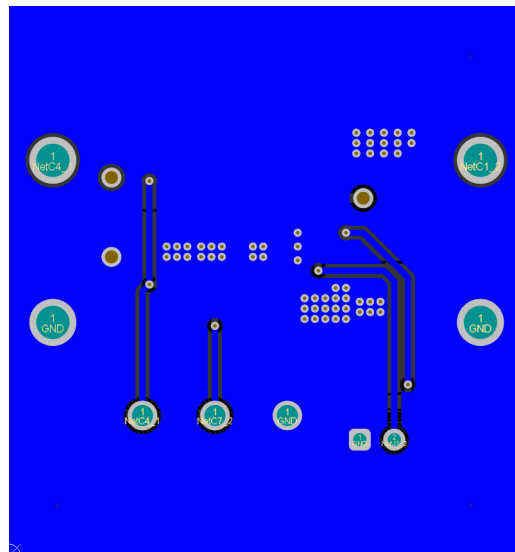


Figure 5. Bottom Layer

5 List of Materials

Table 2. TPS560430XFEVM List of Materials

DES	DESCRIPTION	PART NUMBER	MANUFACTURE	QUANTIT Y
C2, C3, C6	Capacitor, ceramic, 0.1 μ F, 50 V, \pm 10%, X7R, 0603	GRM188R71H104KA93D		3
C1	Capacitor, ceramic, 2.2 μ F, 50 V, \pm 10%, X7R, 1206	GRM31CR71H225KA88L		1
C4	Capacitor, ceramic, 10 μ F, 10 V, \pm 10%, X7R, 1206	C3216X7R1A106M160AC		1
J1	Header, 100 mil, 2 x 1, gold, TH	TSW-102-07-G-S		1
L1	Inductor, Shielded Drum Core, Ferrite, 6.8 μ H, 1.54 A, 0.131 ohm, SMD	744773068		1
R1	Resistor, 402 k Ω , 1%, 0.1 W, 0603	CRCW0603402KFKEA		1
R2	Resistor, 133 k Ω , 1%, 0.1 W, 0603	CRCW0603133KFKEA		1
R3	Resistor, 25.5 k Ω , 1%, 0.1 W, 0603	CRCW060325K5FKEA		1
R4	Resistor, 102 k Ω , 1%, 0.1 W, 0603	CRCW0603102KFKEA		1
R5	Resistor, 49.9 Ω , 1%, 0.1 W, 0603	CRCW060349R9FKEA		1
SH-J1	Shunt, 100 mil, flash gold, black	SPC02SYAN		1
TP1, TP2, TP4, TP5	Terminal, turret, TH, double	1502-2		4
TP3	Test point, compact, orange, TH	5008		1
TP6	Test point, compact, black, TH	5006		1
TP7	Test point, compact, red, TH	5005		1
U1	Device, 36-V, 600-mA, Synchronous Buck Regulator	PS560430YQDBVRQ1	Texas Instruments	1

IMPORTANT NOTICE AND DISCLAIMER

TI PROVIDES TECHNICAL AND RELIABILITY DATA (INCLUDING DATA SHEETS), DESIGN RESOURCES (INCLUDING REFERENCE DESIGNS), APPLICATION OR OTHER DESIGN ADVICE, WEB TOOLS, SAFETY INFORMATION, AND OTHER RESOURCES "AS IS" AND WITH ALL FAULTS, AND DISCLAIMS ALL WARRANTIES, EXPRESS AND IMPLIED, INCLUDING WITHOUT LIMITATION ANY IMPLIED WARRANTIES OF MERCHANTABILITY, FITNESS FOR A PARTICULAR PURPOSE OR NON-INFRINGEMENT OF THIRD PARTY INTELLECTUAL PROPERTY RIGHTS.

These resources are intended for skilled developers designing with TI products. You are solely responsible for (1) selecting the appropriate TI products for your application, (2) designing, validating and testing your application, and (3) ensuring your application meets applicable standards, and any other safety, security, regulatory or other requirements.

These resources are subject to change without notice. TI grants you permission to use these resources only for development of an application that uses the TI products described in the resource. Other reproduction and display of these resources is prohibited. No license is granted to any other TI intellectual property right or to any third party intellectual property right. TI disclaims responsibility for, and you will fully indemnify TI and its representatives against, any claims, damages, costs, losses, and liabilities arising out of your use of these resources.

TI's products are provided subject to [TI's Terms of Sale](#) or other applicable terms available either on ti.com or provided in conjunction with such TI products. TI's provision of these resources does not expand or otherwise alter TI's applicable warranties or warranty disclaimers for TI products.

TI objects to and rejects any additional or different terms you may have proposed.

Mailing Address: Texas Instruments, Post Office Box 655303, Dallas, Texas 75265
Copyright © 2022, Texas Instruments Incorporated