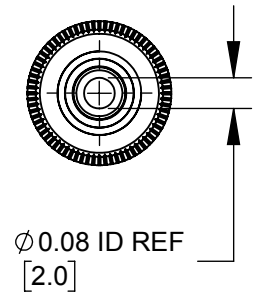
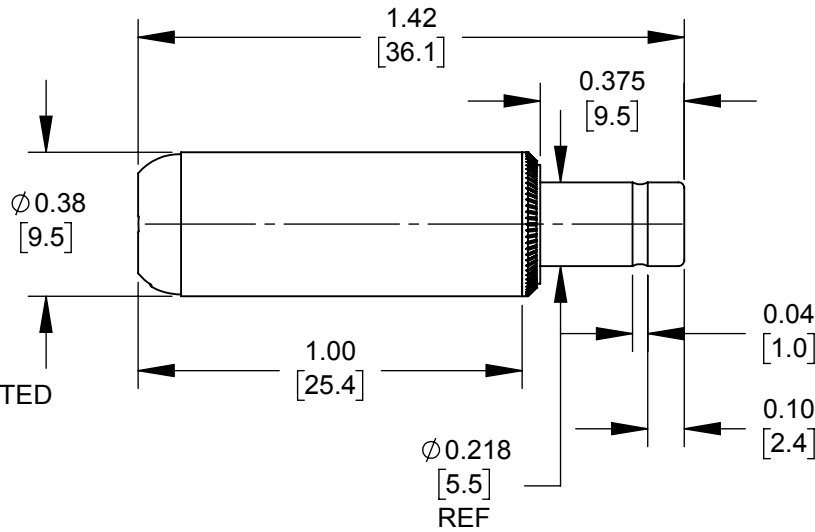
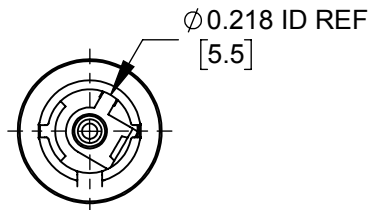


PART NUMBER	HANDLE COLOR
S760HZ	BLACK
S765HZ	RED



NOTES:

- MATERIALS:
 CONDUCTORS - COPPER ALLOY, NICKEL PLATED
 TERMINALS - COPPER ALLOY, TIN PLATED
 INSULATORS & HANDLE - THERMOPLASTIC
- THIS PRODUCT IS RoHS COMPLIANT.

CUSTOMER DRAWING

THIS DRAWING DESCRIBES A DESIGN CONSIDERED PROPRIETARY IN NATURE, DEVELOPED AND MANUFACTURED BY SWITCHCRAFT INC. AND IS RELEASED ON A CONFIDENTIAL BASIS FOR IDENTIFICATION PURPOSES ONLY.

UNLESS OTHERWISE SPECIFIED

- ALL DIMENSIONS IN INCHES [mm]
 - TWO PLACE DECIMALS ±0.02 [0.5]
 - THREE PLACE DECIMALS ±0.005 [0.13]

SIZE *	WIDTH *	MULT *	LBS/M *	TEMPER *
FINISH *		MATERIAL *		
SPEC No. *		SPEC No. *		
FIRST USED ON *		SCALE 2:1		
DATE DRAWN	BY	CHKD	APVD	
11/06/19	AM	*	*	
NAME Ø0.08 [2.0]mm X 0.375 LONG IMPROVED HT POWER PLUG, RoHS				REV 0A
PART No. S760HZ-S765HZ			SHEET 1 OF 1	

Switchcraft®

DO NOT SCALE DRAWING

SolidWorks CAD File



REV	ECO NUMBER	DATE	BY	APVD
*	*	*	*	*
REVISIONS				