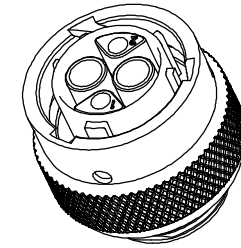
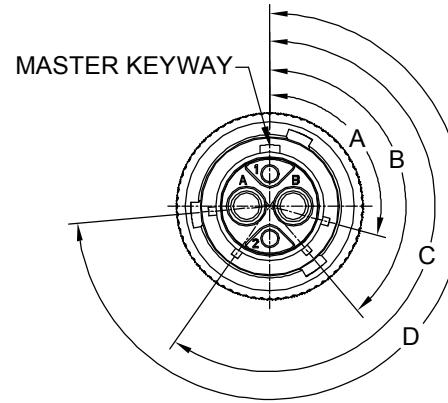
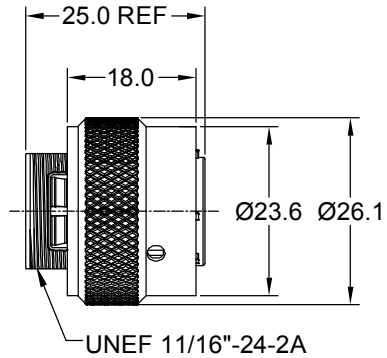


| REVISIONS | | | | | |
|-----------|-----|---------------------------------|-------------|--------|-------|
| REV | ECO | DESCRIPTION | DATE | BY | APPR |
| B1 | - | RELEASED DRAWING | JUN-30-2014 | BEN | TOMMY |
| B2 | - | CHANGE RATED VOLTAGE | SEP-28-2017 | FLAN | TOMMY |
| B3 | - | VOLTAGE UPDATE AND ADD KEY ICON | Nov-28-20 | Ronald | Tommy |



NOTES : (UNLESS OTHERWISE SPECIFIED)

1. MATERIAL :

- SHELL : ZINC ALLOY , NICKEL PLATED.
- INSERT : THERMOPLASTIC , UL94 V-0.
- COUPLING NUT : AL ALLOY , NICKEL PLATED.
- WAVE WASHER : STAINLESS STEEL.
- O-RING : NBR/SILICONE RUBBER.

2. SPECIFICATIONS :

2.1 RATED CURRENT :

- 2.1.1 2.5mm CONTACT : 23A (MAX).
- 2.1.2 20# CONTACT : 5A (MAX).

2.2 RATED VOLTAGE : 500V AC/DC

2.3 OPERATING TEMPERATURE : SEE CHART.

2.4 DIELECTRIC WITHSTANDING VOLTAGE : LESS THAN 2 MILLIAMPS CURRENT LEAKAGE@2000 VOLTS AC.

2.5 INSULATION RESISTANCE : 5000 MEGOHMS MIN.

2.6 IP--CLASS : IP67 (MATED CONDITION).

2.7 MATING CYCLES DURABILITY : 500 CYCLES(MIN).

2.8 RoHS COMPLIANT.

3. SUITABLE CONTACTS : 2.5mm & 20# CONTACTS.

4. ALL DIMENSIONS ARE FOR REFERENCE USE ONLY.

| KEY POS | PART NUMBER | | A | B | C | D |
|---------|---------------|---------------|------|------|------|------|
| | -40°C ~ 105°C | -40°C ~ 125°C | | | | |
| N | RT06122SNH | RT06122SNH03 | 105° | 140° | 215° | 265° |
| W | RT06122SWH | RT06122SWH03 | 60° | 140° | 215° | 265° |
| X | RT06122SXH | RT06122SXH03 | 105° | 155° | 215° | 265° |
| Y | RT06122SYH | RT06122SYH03 | 105° | 140° | 225° | 265° |
| Z | RT06122SZH | RT06122SZH03 | 105° | 140° | 215° | 295° |

| | | | |
|--|-----------------------|--|--|
| QUANTITY | SEE PART NUMBER CHART | DESCRIPTION | ITEM |
| MATERIALS LIST | | | |
| UNLESS OTHERWISE SPECIFIED 1) All dimensions are in metric(mm). 2) Tolerances are as follows: 1 PL DEC ±0.30 2 PL DEC ±0.15 3 PL DEC ±0.08 Fractions ±1/64 Angles ±1° 3) Note reference = | | SIGNATURES DRAWN: Ronald Nov-28-20 CHECKED: Flan Nov-28-20 ENGINEER: APPROVAL: Tommy Nov-30-20 CUSTOMER: | Sine Systems - www.amphenol-sine.com 44724 Morley Drive Clinton Township, MI 48036 |
| MATERIAL SPECIFICATIONS: PROCESS SPECIFICATIONS: NEXT ASSY: | | THIS DRAWING IS SUPPLIED FOR INFORMATION ONLY. DESIGN FEATURES, SPECIFICATIONS AND PERFORMANCE DATA SHOWN HEREON ARE THE PROPERTY OF THE AMPHENOL CORPORATION. NO RIGHTS OF REPRODUCTION ARE IMPLIED. ALL DIMENSIONS ARE SUBJECT TO NORMAL MANUFACTURING VARIATIONS. | ECOMATE RM,PLUG, SIZE 12,2POS,SOCKET. SIZE TYPE DWG NO: B C- RT06122S*Hx B3 SCALE NONE SHEET 1 OF 1 |

TITLE: ECOMATE RM,PLUG,SIZE 12,2POS,SOCKET.
 DWG NO.: RT06122S*Hx
 REV: B3
 SH: 1
 OF: 1

ecomate® RM/RSSM/Aquarius™ - Contact Size 20 Options

| Crimp Contacts, Machined | | | | |
|--------------------------|------------|-------|-------------------------------|------------|
| Part Number | | AWG | Wire Range (mm ²) | Plating |
| Male | Female | | | |
| MP20W23F | MS20W23F | 22-20 | 0.34-0.50 | Gold Flash |
| MP20W23G5 | MS20W23G5 | 22-20 | 0.34-0.50 | Gold 5μ" |
| MP20W23G10 | MS20W23G10 | 22-20 | 0.34-0.50 | Gold 10μ" |
| MP20W23G15 | MS20W23G15 | 22-20 | 0.34-0.50 | Gold 15μ" |
| MP20W23G30 | MS20W23G30 | 22-20 | 0.34-0.50 | Gold 30μ" |
| MP24W23F | MS24W23F | 26-24 | 0.13-0.25 | Gold Flash |
| MP24W23G5 | MS24W23G5 | 26-24 | 0.13-0.25 | Gold 5μ" |
| MP24W23G10 | MS24W23G10 | 26-24 | 0.13-0.25 | Gold 10μ" |
| MP24W23G15 | MS24W23G15 | 26-24 | 0.13-0.25 | Gold 15μ" |
| MP24W23G30 | MS24W23G30 | 26-24 | 0.13-0.25 | Gold 30μ" |
| MP28W23F | MS28W23F | 30-28 | 0.05-0.08 | Gold Flash |
| MP28W23G5 | MS28W23G5 | 30-28 | 0.05-0.08 | Gold 5μ" |
| MP28W23G10 | MS28W23G10 | 30-28 | 0.05-0.08 | Gold 10μ" |
| MP28W23G15 | MS28W23G15 | 30-28 | 0.05-0.08 | Gold 15μ" |
| MP28W23G30 | MS28W23G30 | 30-28 | 0.05-0.08 | Gold 30μ" |

| Tooling, Machined | |
|-------------------|--|
| Part Number | Description |
| QXRT20 | Contact Extraction Tool, #20 (Ø 1.0) Contact |
| MFY-3959 | Hand Crimp Tool for Machined Contacts |
| MFY-3960 | Pneumatic Crimp Tool for Machined Contact |

| Plating Options, All | |
|----------------------|--|
| Symbol | Plating |
| T | Tin Plated (for Stamped & Formed Contacts) |
| S | Silver Plated 5Um (for Machined Contacts) |
| F | Gold Plated |
| G5 | Gold Plated (Thickness 5μ") |
| G10 | Gold Plated (Thickness 10μ") |
| G15 | Gold Plated (Thickness 15μ") |
| G30 | Gold Plated (Thickness 30μ") |

| Crimp Contacts, Stamped & Formed | | | | |
|----------------------------------|-----------|-------|-------------------------------|------------|
| Part Number | | AWG | Wire Range (mm ²) | Plating |
| Male | Female | | | |
| SP20W2F | SS20W2F | 22-20 | 0.34-0.50 | Gold Flash |
| SP20W2G5 | SS20W2G5 | 22-20 | 0.34-0.50 | Gold 5μ" |
| SP20W2G10 | SS20W2G10 | 22-20 | 0.34-0.50 | Gold 10μ" |
| SP20W2G15 | SS20W2G15 | 22-20 | 0.34-0.50 | Gold 15μ" |
| SP20W2G30 | SS20W2G30 | 22-20 | 0.34-0.50 | Gold 30μ" |
| SP24W2F | SS24W2F | 26-24 | 0.14-0.25 | Gold Flash |
| SP24W2G5 | SS24W2G5 | 26-24 | 0.14-0.25 | Gold 5μ" |
| SP24W2G10 | SS24W2G10 | 26-24 | 0.14-0.25 | Gold 10μ" |
| SP24W2G15 | SS24W2G15 | 26-24 | 0.14-0.25 | Gold 15μ" |
| SP24W2G30 | SS24W2G30 | 26-24 | 0.14-0.25 | Gold 30μ" |
| SP28W2F | SS28W2F | 30-28 | 0.05-0.08 | Gold Flash |
| SP28W2G5 | SS28W2G5 | 30-28 | 0.05-0.08 | Gold 5μ" |
| SP28W2G10 | SS28W2G10 | 30-28 | 0.05-0.08 | Gold 10μ" |
| SP28W2G15 | SS28W2G15 | 30-28 | 0.05-0.08 | Gold 15μ" |
| SP28W2G30 | SS28W2G30 | 30-28 | 0.05-0.08 | Gold 30μ" |

| Tooling, Stamped & Formed | |
|---------------------------|--|
| Part Number | Description |
| QXRT20 | Contact Extraction Tool, #20 (Ø 1.0) Contact |
| MFY-3958 | Hand Tool, Stamped & Formed Contact, Size 20, 20-28AWG |
| MFY-3957 | Crimp Die for Stamped & Formed Contact |

| Misc Tooling, All | |
|-------------------|----------------------------|
| Part Number | Description |
| CA-4020-59 | Sealing Plug, Size 16 & 20 |

| Standard Quantity Order Options | |
|---------------------------------|-------------------|
| Machined | Stamped & Formed |
| Bulk Package, 500 Pieces | Reel, 3000 Pieces |

ecomate® RM/RSSM/Aquarius™ - Contact Size 12 Options

| Crimp Contacts, Machined | | | | |
|--------------------------|--------|-----|-------------------------------|---------|
| Part Number | | AWG | Wire Range (mm ²) | Plating |
| Male | Female | | | |
| N/A | | | | |

| Tooling, Machined | |
|-------------------|-------------|
| Part Number | Description |
| N/A | N/A |
| N/A | N/A |

| Plating Options, All | |
|----------------------|---------|
| Symbol | Plating |
| N/A | N/A |

| Crimp Contacts, Stamped & Formed | | | | |
|----------------------------------|---------|-------|-------------------------------|---------|
| Part Number | | AWG | Wire Range (mm ²) | Plating |
| Male | Female | | | |
| SP12A1T | SS12A1T | 14-12 | 2.5-3.5 | Tin |

| Tooling, Stamped & Formed | |
|---------------------------|--|
| Part Number | Description |
| QXRT12S | Contact Extraction Tool, 2.5mm Contact |
| MFx-3962 | Hand Tool, Stamped & Formed Contact, 2.5mm Contact |

| Misc Tooling, All | |
|-------------------|-----------------------|
| Part Number | Description |
| CA-4012-59 | Sealing Plug, Size 12 |

| Standard Quantity Order Options | |
|---------------------------------|-------------------|
| Machined | Stamped & Formed |
| N/A | Reel, 1000 Pieces |