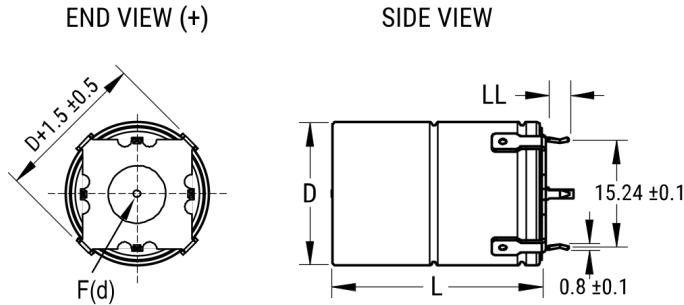


PEH225KF4120ME1

Aliases (PEH225KF4120M)

Not for New Design

PEH225, Aluminum Electrolytic, 1,200 uF, 20%, 40 VDC, -40/+150°C



Note: '()' correspond to the letters used in the product bulletin

Click [here](#) for the 3D model.

Dimensions

D	16mm +/-0.5mm
L	27.7mm +/-1mm
LL	3.3mm +/-0.5mm
F	1mm +/-0.03mm

Packaging Specifications

Packaging	Bulk, Bag
-----------	-----------

General Information

Series	PEH225
Dielectric	Aluminum Electrolytic
Style	Radial Crown
Description	Radial Crown Aluminum Electrolytic
RoHS	Yes
Lead	Radial Crown
Qualifications	AEC-Q200
AEC-Q200	Yes
Halogen Free	Yes

Component Weight	8 g
------------------	-----

Miscellaneous Rated Voltage Measured At 125C.

Notes Obsolete due to a packaging change. The bulk packaging option is no longer available. See PEH225KF4120ME4 for the same capacitor packaged in a tray.

Shelf Life 520 Weeks

Specifications

Capacitance	1,200 uF
Capacitance Tolerance	20%
Voltage DC	40 VDC (125C), 32 VDC (150C)
Temperature Range	-40/+150°C
Rated Temperature	125°C
Life	6300 Hrs (Rated Voltage At 125C), 1500 Hrs (Rated Voltage At 150C)
Resistance	80 mOhms (100Hz 20C), 36 mOhms (100kHz 20C), 13 mOhms (5-100kHz 150C)
Ripple Current	16.6 Amps (5kHz 125C, With Heat Sink), 10.5 Amps (5kHz 140C, With Heat Sink), 4.7 Amps (5kHz 150C, Reduced Voltage And Heat Sink), 5.8 Amps (5kHz 125C), 7.4 Amps (>=5kHz 125C Reduced Voltage)
Leakage Current	144 uA (5min 20°C)