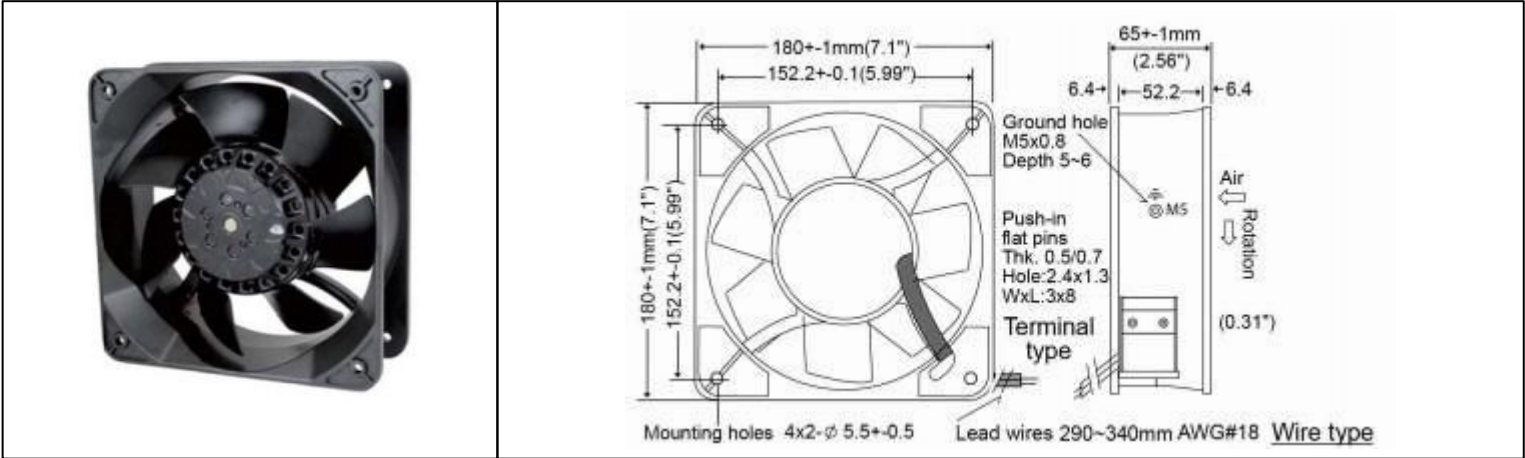


OA180APL IP69K Series



AC Fan - 115V, 230V
180mm x 65mm (7.1" x 2.6")



Frame	Die Cast Aluminum, Black Finish	Operating Temperature -20°C ~ +65°C Storage Temperature -20°C ~ +75°C Life Expectancy 50,000 Hours (L10 at 55°C) Weight: 3.96 lbs	
Impeller	Steel, All Metal, 7 Blades		
Connection	Lead Wires, 18 AWG, or Terminals		
Motor	AC, Outer Rotor, Capacitor Induction, Single Phase, Thermally Protected, IP69K		
Bearing System	Ball Bearings		
Dielectric Strength	1500VAC/min, <5mA		
Insulation Resistance	≥10MΩ @ 500V DC		

Part Number	Rated Voltage (Volts AC)	Voltage Range (Volts AC)	Input Power (Watts)	Frequency (Hertz)	Rated Speed (RPM)	Max Airflow (CFM)	Noise Level (dBA)	Max Static Pressure ("H ₂ O)
OA180APL-11-1*B1869K	115	100 ~ 130	80	50 / 60	3250	400	65	0.8
OA180APL-22-1*B1869K	230	200 ~ 255	80	50 / 60	3250	400	65	0.8

*Insert "T" for Terminal or "W" for Lead Wire
*60 Hz Values shown in table