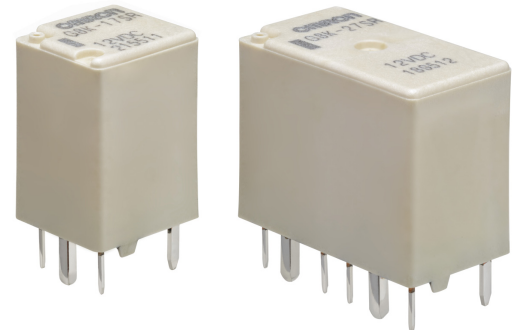


Ultra Miniature Power PCB Relay for Automotive and DC 12 V Applications

G8K Relay

Ultra Miniature Relay Capable for Motor/Control of BCM Applications

- High-density design and extremely small mounting space
- Equivalent capability of switching 14 V 25 A motor load despite of smaller footprint
- Available as 1x Form C package, or 2x Form C (independent) package
- Pin in paste reflow compliant relay
- Temperature range -40°C to +125°C
- 100% modular footprint for 1x relay or 2x relay PCB layout



Model Number Legend

G8K-□□□□
1 2 3 4

1. Number of Contact Poles/Structure

- 1: SPDT (1 Form C)
- 2: SPDT × 2 (1 Form C × 2)

2. Protective structure

- Blank: Plastic sealed (RT III IEC61810)
- 7 : Flux tight (Open vent hole) (RT II IEC61810)

3. Characteristics

- Blank: Standard
- S : Low operating voltage
- U : Ultralow operating voltage

4. Special function

- Blank: Standard
- R : Pin in Paste reflow compliant

Application Examples

- DC motor/resistive application control
- Automotive DC applications (Door lock, Power window, Power seat, Power slide door closure, Horn, etc.)

Ordering Information

Classification	Contact form	*Protective structure	Rated coil		Model	Characteristics	Minimum Packing unit (Tube packing)
			Voltage (V)	Resistance (Ω)			
Single	SPDT (1 Form C)	Flux tight (open vent hole) (RT II IEC61810)	DC12	160	G8K-17R DC12	Standard	63 pcs. / stick 48 sticks / box Total 3,024 pcs.
				120	G8K-17SR DC12	Low operating voltage	
				100	G8K-17UR DC12	Ultralow operating voltage	
Twin	SPDT × 2 (1 Form C × 2)	Flux tight (open vent hole) (RT II IEC61810)		160	G8K-27R DC12	Standard	32 pcs. / stick 48 sticks / box Total 1,536 pcs.
				120	G8K-27SR DC12	Low operating voltage	
				100	G8K-27UR DC12	Ultralow operating voltage	

* Please contact our sales representative for other models available

Note. Above models are not certificated for the safety standards of UL or CSA, etc.

Ratings

Coil

Rated voltage (V)	Rated current (mA)	Coil resistance (Ω)	Must-operate voltage (V)	Must-release voltage (V)	Permissible voltage Range (V)	Rated Power consumption (mW)	Model	
							Single	Twin
DC12	75	160	6.9 Max.	1.0 Min.	10 to 16	900	G8K-17R DC12	G8K-27R DC12
	100	120	6.0 Max.			1200	G8K-17SR DC12	G8K-27SR DC12
	120	100	5.6 Max.	0.7 Min.		1440	G8K-17UR DC12	G8K-27UR DC12

Note 1. The rated current and coil resistance are measured at a coil temperature of 20°C with a tolerance of ±10%.

Note 2. The operating characteristics are measured at a coil temperature of 20°C.

●Contacts

Item	Classification Model	Standard	Low operating voltage	Ultralow operating voltage
		G8K-17R DC12 G8K-27R DC12	G8K-17SR DC12 G8K-27SR DC12	G8K-17UR DC12 G8K-27UR DC12
Contact material		Silver-alloy		
Max. switching current (N.O.)		30 A		
Max. carrying current *1	at 20°C	35 A 30 s *2		-
	at 105°C	30 A 30 s *2		30 A 30 s *2
	at 125°C	20 A 30 s *2		-
Min. switching current		1 A DC12V		

- *1. This does not guarantee repeated condition. Also depends on the connecting conditions.
Ultralow operating voltage version is not designed for continuous use. Please contact our sales if you have specific conditions.
- *2. Applicable when the single model or the single part of twin model operates.

■Characteristics

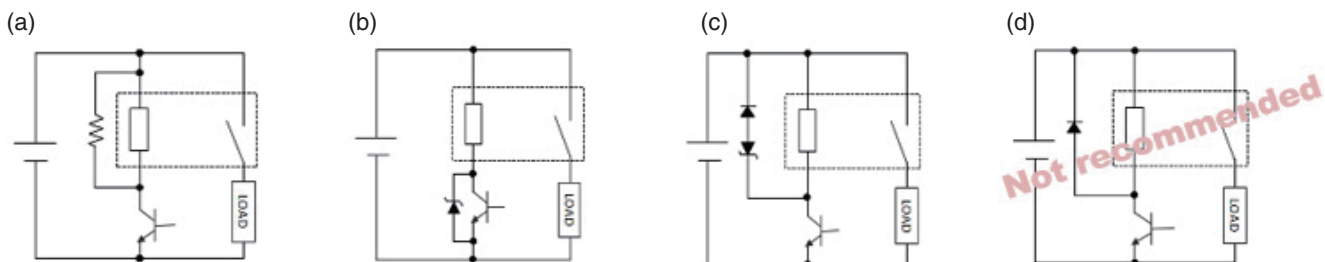
Item	Standard value	
	Single	Twin
Contact resistance (See *1.)	Typ.5 mΩ max.50 mΩ	
Operate time	10 ms max. (DC12V not including bounce time)	
Release time	5 ms max. (DC12V not including bounce time)	
Insulation resistance (See *2.)	Between coil and contacts	100 MΩ min.
	Between contacts of the same polarity	100 MΩ min.
Dielectric strength	Between coil and contacts	AC500V 1 min
	Between contacts of the same polarity	AC500V 1 min
Vibration resistance	Destruction	33 Hz, 45 m/s ²
	Malfunction	10 to 500 Hz, 45 m/s ² (detection time: 10 μs)
Shock resistance	Destruction	1,000 m/s ² (pulse duration: 6 ms)
	Malfunction	100 m/s ² (pulse duration: 11 ms detection time: 10 μs)
Mechanical endurance (See *3.)	1,000,000 ops. min.	
Electrical endurance (See *4.)	Resistive Load	5 A DC14V, 1.0 s ON/ 1.0 s OFF, 100,000 ops
	Motor Load	25 A DC13.5V, 0.3 mH, 0.2 s ON/ 9.8 s OFF, 100,000 ops
Ambient operating temperature (See *5.)	-40 to 125°C (without freezing or condensation)	
Ambient operating humidity	35% to 85% RH	
Weight	Approx. 3.0 g	Approx. 6.0 g

Note. The above values are initial values at an ambient temperature of +20°C unless otherwise specified.

- *1. The contact resistance was measured with 1 A at DC5V.
- *2. The insulation resistance was measured with a DC500V megohmmeter.
- *3. The mechanical endurance was measured at a switching frequency of 18,000 operations/hr.
- *4. Please connect N.O. terminal to the +BATT side on Electrical use and connect surge suppression element in parallel with between coil based on recommended circuit.
- *5. G8K-17R/27R/17SR/27SR supports 125°C. G8K-17UR/27UR supports 105°C.
Please refer to the condition of carrying current and derating curve if using under the maximum ambient temperature.

Recommended circuit: (a), (b), (c)
Not-recommended circuit: (d)

Note:
OMRON recommends coil driver circuit (b) and (c) for coil surge suppression. However the circuit (d) is not recommended because it may negatively affect the durability performance.

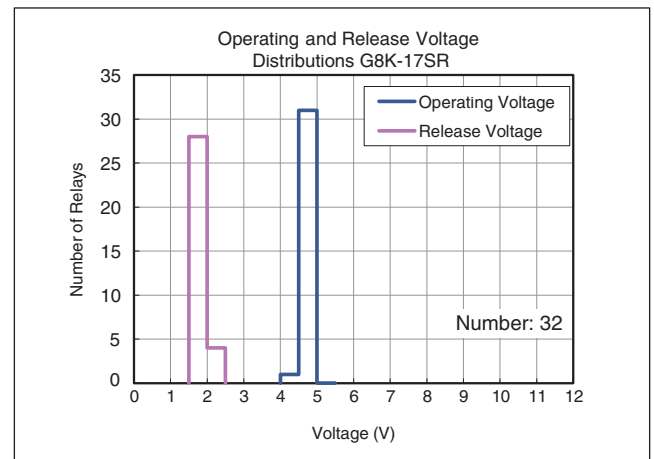
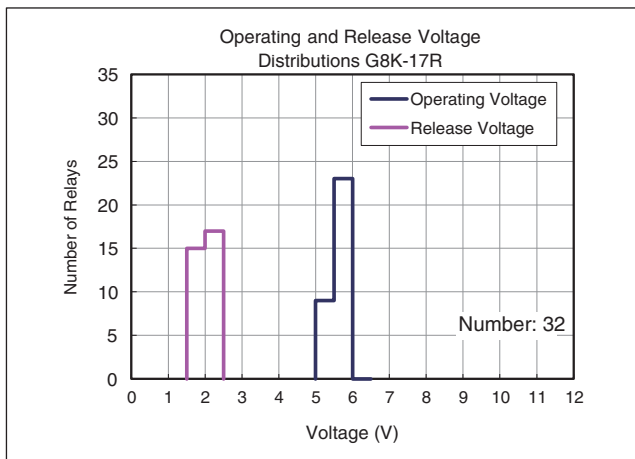


Reference Technical Data

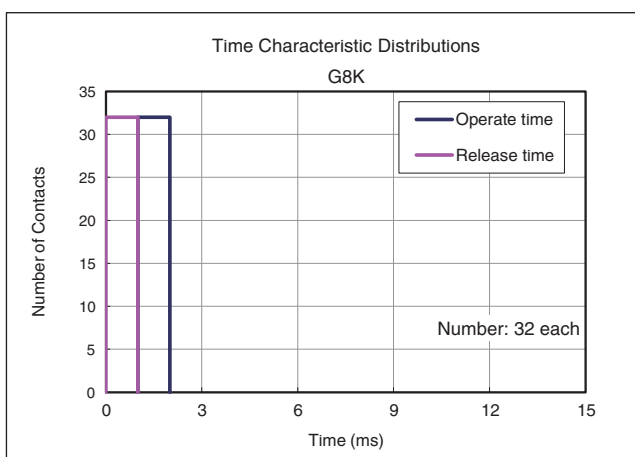
Actual Electrical performance (reference)

Model	Application	Load voltage	Inrush	Steady state	Switching off	Inductance	Ambient temperature	Required Cycles (min)
		(V)	(A)	(A)	(A)	(mH)	(°C)	Total
G8K-27SR DC12	Central door lock	14	-	25	25	0.5	25	170,000
G8K-27SR DC12	Anti Theft Horn	14	7.1	3.4	3.4	3	-40°C to +90°C	200,000
G8K-27R DC12	Door Lock	16	-	16.5	16.5	1.48	-40°C to +85°C	100,000
G8K-27R DC12	Door Lock	14	-	20	20	0.75	25	130,000
G8K-17UR DC12	Door Lock	14			28	0.16		210,000
G8K-17UR DC12	DC motor	16		38	38		85°C	1,000
G8K-17UR DC12	DC motor	18		26	26		85°C	1,000

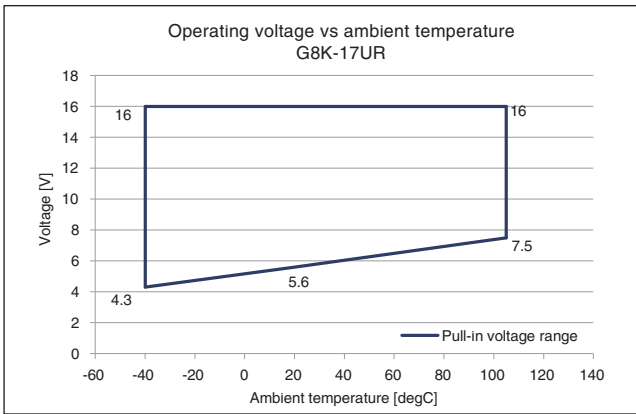
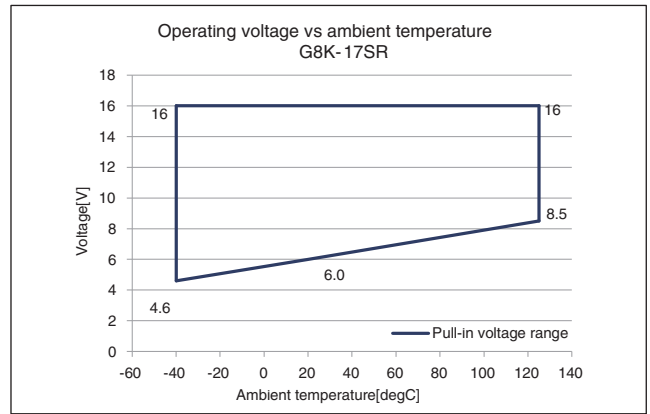
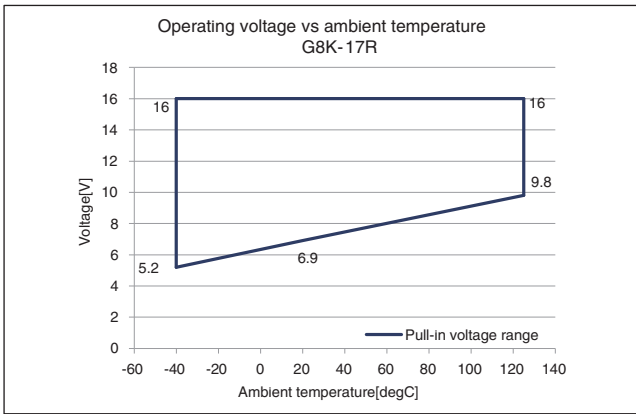
Operating Voltage and Release Voltage Distributions (Number of Relays × Voltage)



Time Characteristic Distributions (Number of Contacts × Time (ms))

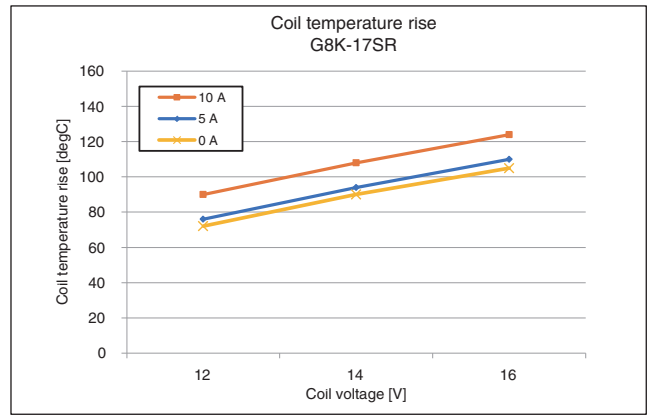
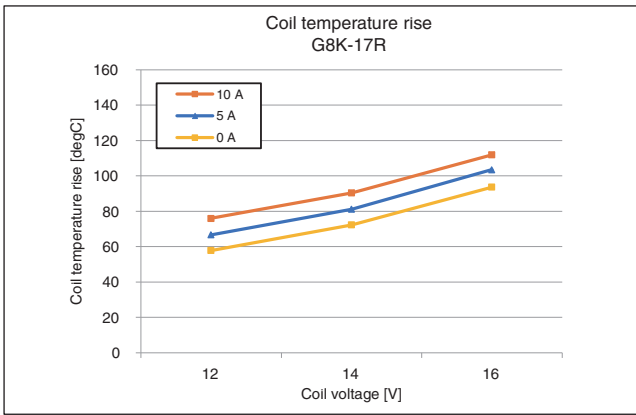


●Operating voltage vs ambient temperature (Cold start)

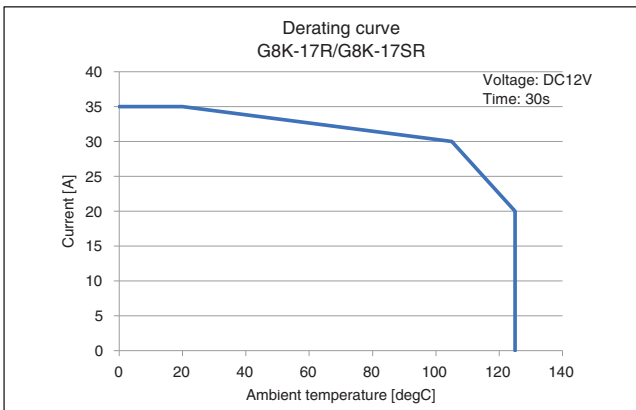


●Coil temperature rise [degC] at 20°C

(For using under a higher ambient temperature, please select the proper current carrying condition to avoid a possible excessive temperature rising.)



●Derating curve

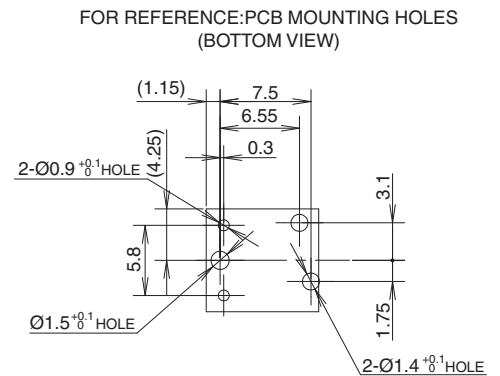
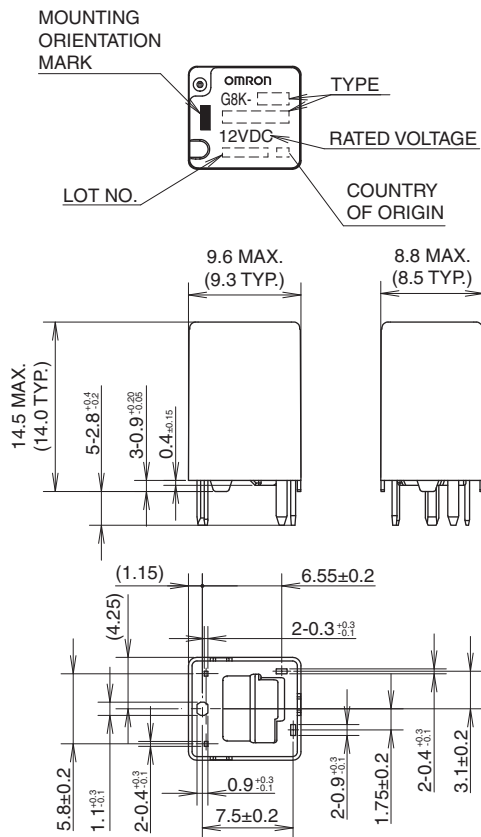


■ Dimensions

CAD Data Please visit our website, which is noted on the last page.

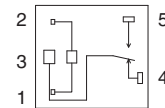
(Unit: mm)

G8K Single



*Please study & choose other appropriate hole diameters if confirmed the diameter values recommended above don't work with the soldering process.

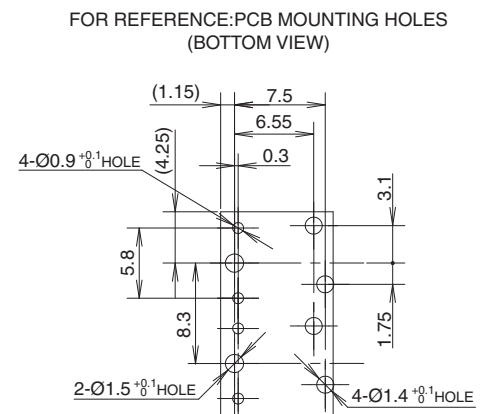
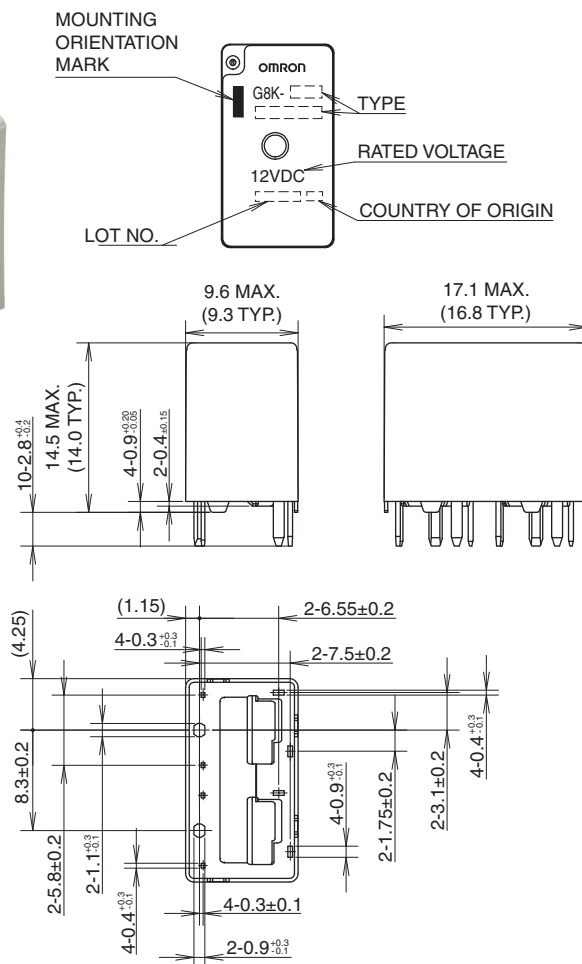
TERMINAL ARRANGEMENT/ INTERNAL CONNECTIONS (BOTTOM VIEW)



TOLERANCE UNLESS OTHERWISE SPECIFIED
 LESS THAN 1mm : ±0.1mm
 1 to 3mm : ±0.2mm
 3mm OR MORE : ±0.3mm

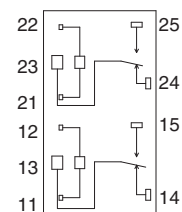
CAD Data

G8K Twin



*Please study & choose other appropriate hole diameters if confirmed the diameter values recommended above don't work with the soldering process.

TERMINAL ARRANGEMENT/ INTERNAL CONNECTIONS (BOTTOM VIEW)



TOLERANCE UNLESS OTHERWISE SPECIFIED
 LESS THAN 1mm : ±0.1mm
 1 to 3mm : ±0.2mm
 3mm OR MORE : ±0.3mm

CAD Data

■Precautions

- Please refer to “Safety Precautions for All Automotive Relays” for correct use.

Please check each region's Terms & Conditions by region website.

OMRON Corporation

Device & Module Solutions Company

Regional Contact

Americas

<https://components.omron.com/us>

Asia-Pacific

<https://components.omron.com/ap>

Korea

<https://components.omron.com/kr>

Europe

<https://components.omron.com/eu>

China

<https://components.omron.com.cn>

Japan

<https://components.omron.com/jp>