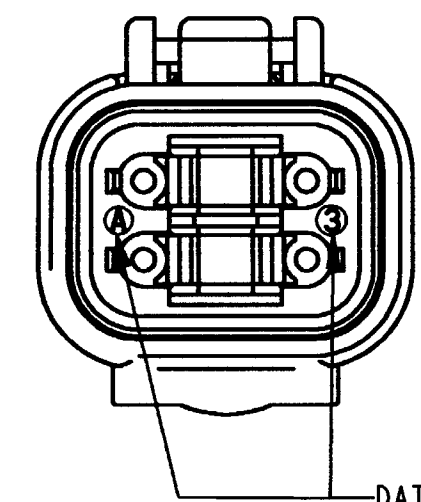
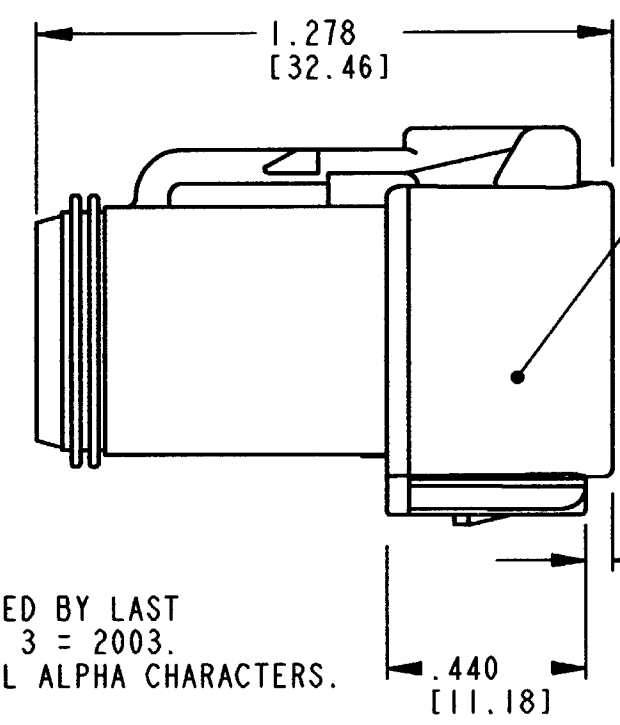


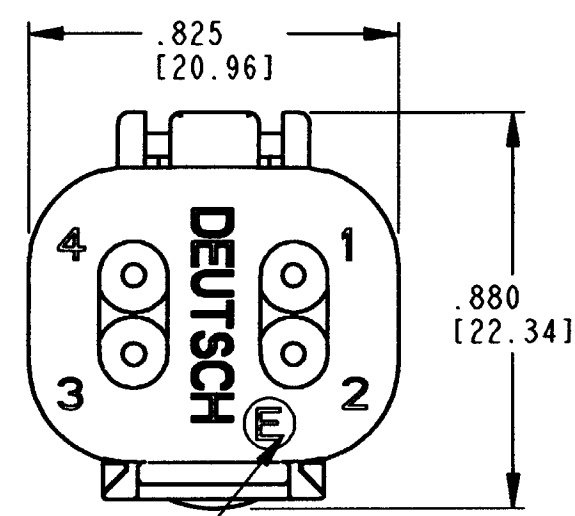
REV	DT06-4S-CE15	REVISIONS			
NC		SYM	DESCRIPTION	DATE	APPROVED
		NC	NEW RELEASE PER E.O. P18881	4/16/85	[Signature]



DATE CODE: YEAR TO BE REPRESENTED BY LAST NUMERICAL DIGIT. EX: 3 = 2003. MONTH USES SEQUENTIAL ALPHA CHARACTERS. EX: A = JANUARY.



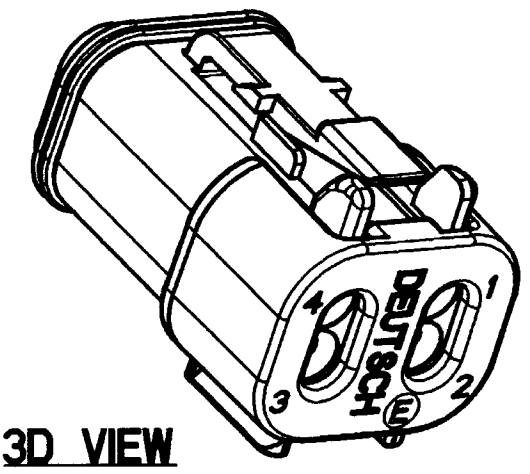
6  
WELD CAP (WITH DOVETAIL)



E- SYMBOL DESIGNATES REDUCED WIRE SEAL

CONTACT SIZE	MIN. INSUL. O.D.	MAX. INSUL. O.D.	WIRE RANGE [mm <sup>2</sup> ] REF ONLY
16	.053 [1.35]	.120 [3.05]	14-20 AWG [2.0-0.5]

- 6. CONSULT FACTORY FOR DOVETAIL DETAILS.
  - 5. MATERIAL: SHELL: PLASTIC; SEAL: RUBBER.
  - 4. THIS PLUG MATES WITH THE DT04-4P-\*\*\*\* RECEPTACLE (\*\*\*\* = ALL MODIFICATIONS). CONSULT FACTORY FOR MODIFICATIONS.
  - 3. FOR CONTACTS AND WIRE PERFORMANCE AND APPLICATION CHARACTERISTICS SEE ENVELOPE DRAWING 0425-015-0000 AND 0425-017-0000.
  - 2. DIMENSIONS ARE ±.025[0.63] UNLESS OTHERWISE SPECIFIED.
  - 1. DIMENSIONS ARE IN INCHES [MILLIMETERS].
- NOTES:



3D VIEW

SIGNATURE & DATE		4 WAY PLUG CAP WITH DOVETAIL CE15 MOD COLOR: BLACK DT SERIES	CP	MATL. CODE
DR	T. YOHANNESOTDECO4		The Deutsch Company DEUTSCH I.P.D. 3850 INDUSTRIAL AVE. HEMET, CALIF. 92545	
CHK	[Signature]		B	DT06-4S-CE15
PE	[Signature]			DWG SIZE
APPD	[Signature]	ENVELOPE		
SCALE	NONE	WT		