

# C1005C0G2A681J050BE

TDK Item Description : C1005C0G2A681JT\*\*\*S

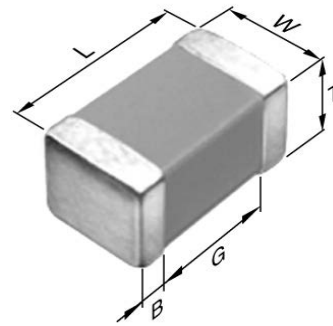


## Application & Main Feature

Commercial Grade ( Soft Termination )

## Series

C1005 [EIA CC0402]



## Dimensions

L	1.00mm +0.15,-0.05mm
W	0.50mm +0.1,-0.05mm
T	0.50mm +0.1,-0.05mm
B	0.10mm Min.
G	0.30mm Min.

## Temperature Characteristic

C0G (-55 to 125 degC 0+/-30ppm/degC)

## Rated Voltage

2A (100Vdc)

## Capacitance

680pF

## Capacitance Tolerance

J (+/-5%)

## Q Factor

1000 Min.

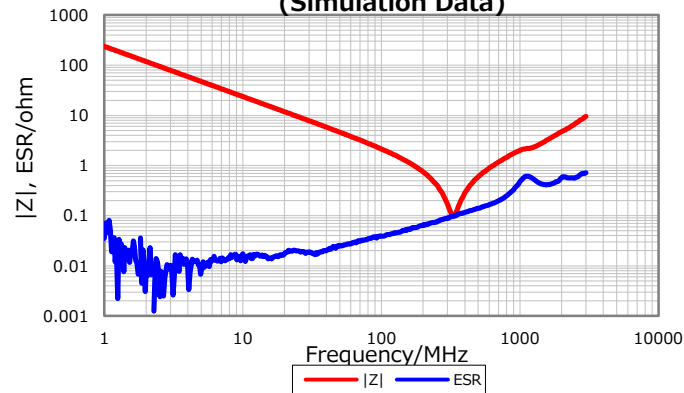
## Insulation Resistance

10Gohm Min

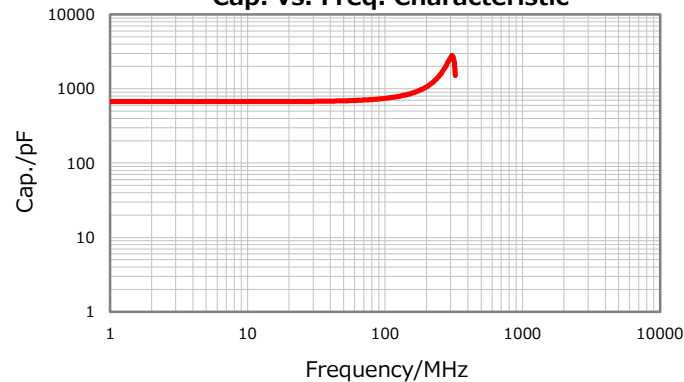
## AEC-Q200

Not Applicable

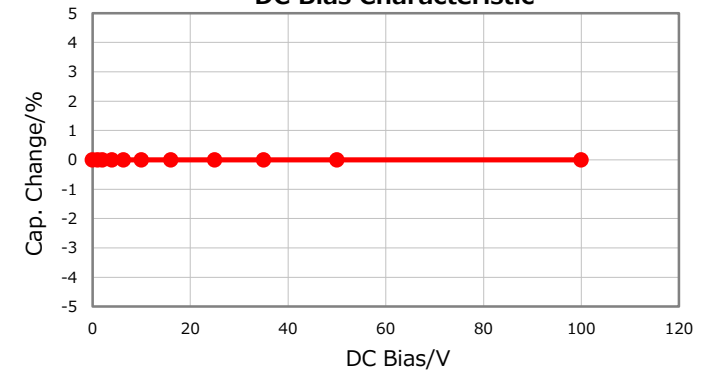
**|Z|, ESR vs. Freq. Characteristics**  
(Simulation Data)



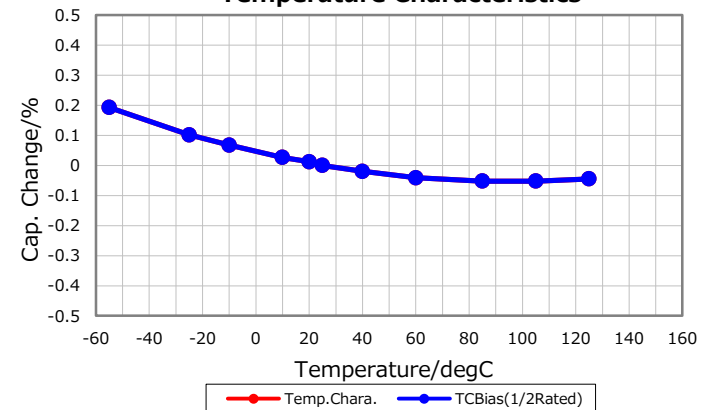
**Cap. vs. Freq. Characteristic**



**DC Bias Characteristic**



**Temperature Characteristics**



Characterization Sheet ( Multilayer Ceramic Chip Capacitors )



All specifications are subject to change without notice.

May 12, 2017