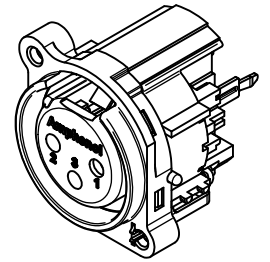
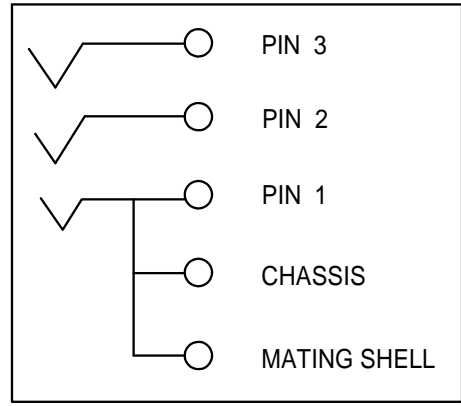
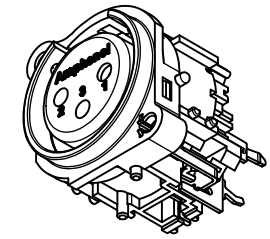


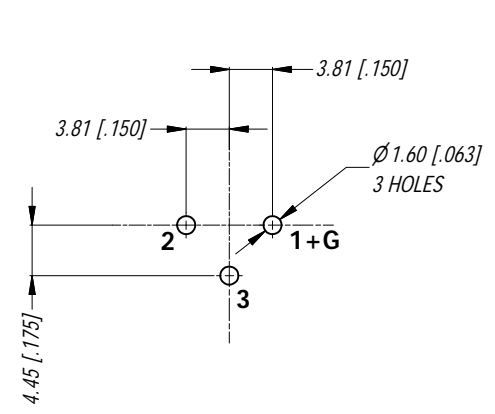
MIN MOUNTING PITCH (1:1)



3D MODEL (1:1)



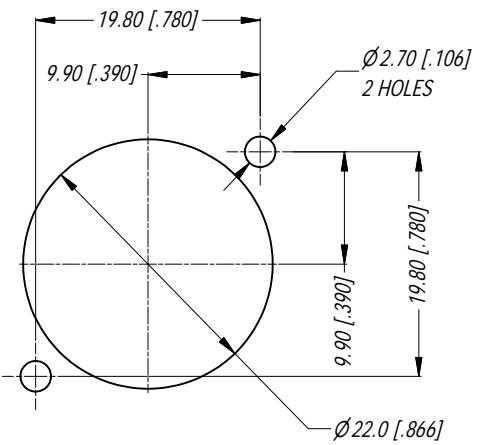
SCHEMATIC CHART



PCB LAYOUT

LAYOUT TOLERANCE : ±0.05 [±.002 in]

NOTE: DIMENSIONS IN PARENTHESES ARE IN INCHES.



PANEL CUT OUT REAR VIEW

NOTE: SUFFIX "B" IN THE PART No INDICATES BULK PACK.

UNLESS OTHERWISE SPECIFIED TOLERANCE TO BE:		THIS DOCUMENT IS THE PROPERTY OF AMPHENOL AUSTRALIA PTY. LTD. NO PART THEREOF MAY BE REPRODUCED AND USED WITHOUT THE PRIOR WRITTEN CONSENT OF THE OWNER			27/08/15		T.N		9318		
LINEAR		ANGULAR		CAD FILE: 55010496000221		DRN: T.N		DATE: 17/04/07		2	
X ±	X' ± 1	X' ± 30°		MATL: REFER TO COMPONENTS		CKD: P.M		DATE: 07/04/09		1	
X.X ±	X.XX ± 15'	DO NOT SCALE		FINISH: REFER TO COMPONENTS		APP'D: P.M		DATE: 07/04/09		0	
BREAK ALL SHARP EDGES AND REMOVE ALL BURRS				DIMENSIONS IN MILLIMETRES		THIRD ANGLE PROJECTION		SCALE: 3:2		PART No: AC3FBVL1-AU-B	
TITLE: XLR FEMALE B TYPE CONNECTOR CUSTOMER DWG		DRAWING NO. 55010496-000-2		SIZE: A4		SHEET 2/2		Amphenol Australia Pty.Ltd. 2 Fiveways Blvd, Keysborough, Vic3173			

REV	DESCRIPTION	DATE	BY	CHG NO
2	ADD SUFFIX B TO PART No.	27/08/15	T.N	9318
1	UPDATE FEMALE SHELL	2/4/2009	A.O	8793
0	FIRST ISSUE	03/09/07	T.N	8686

REVISION HISTORY

Amphenol

Amphenol Australia Pty.Ltd. 2 Fiveways Blvd, Keysborough, Vic3173