

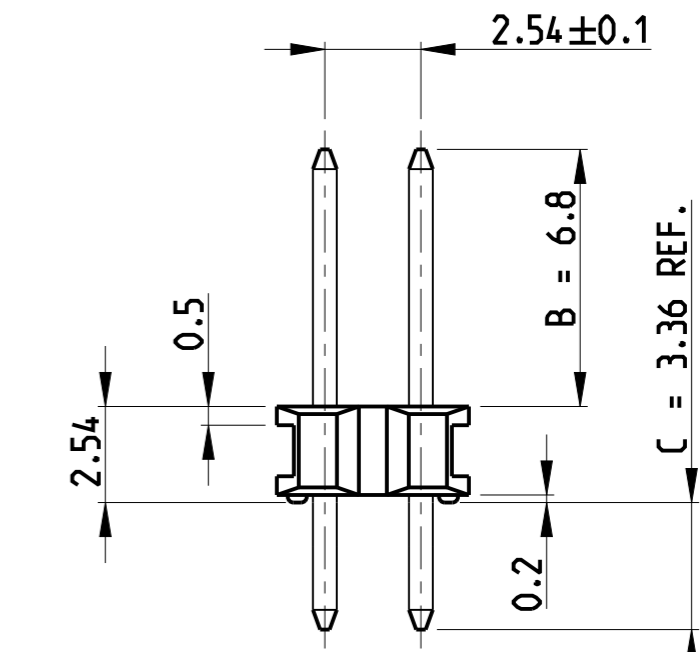
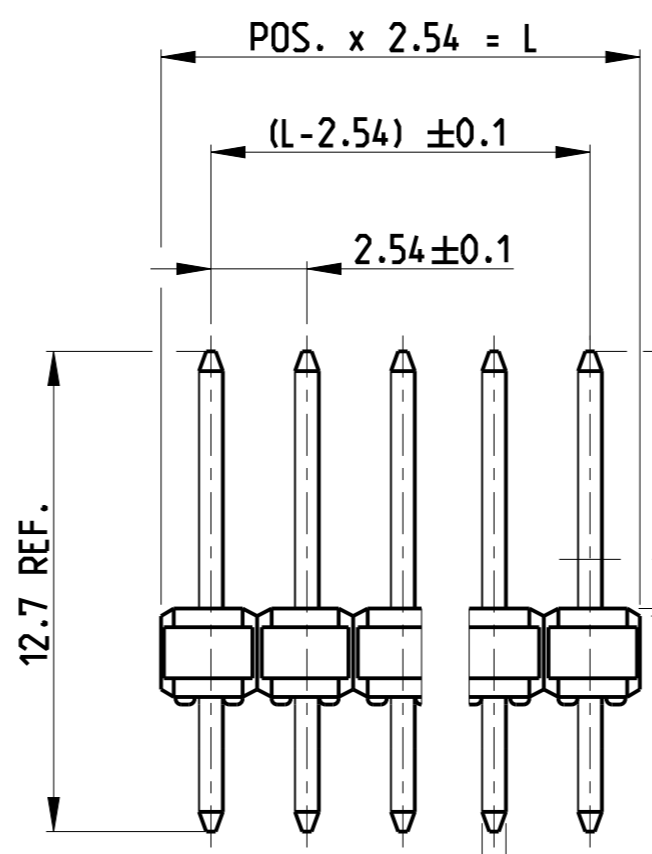
LOC AI DIST -

REVISIONS

© COPYRIGHT 2005 ALL RIGHTS RESERVED.

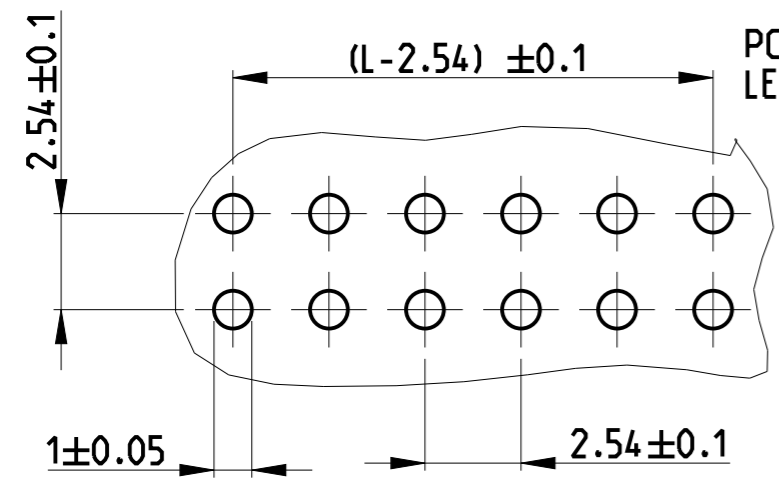
P	LTR	DESCRIPTION	DATE	DWN	APVD
B		CONTACT PIN MATERIAL AND PLATING CHANGE	16OCT2014	KJK	JK

POS. PER ROW	L ±0.5	PART - NO.	POS. PER ROW	L ±0.5	PART - NO.
-	-	-	26	66.04	2-829 394-6/2
2	5.08	829 394-2/3	27	68.58	2-7/2
3	7.62	-3	28	71.12	2-8/2
4	10.16	-4	29	73.66	2-9/2
5	12.70	-5	30	76.20	3-0/2
6	15.24	-6/3	31	78.74	3-1/2
7	17.78	-7	32	81.28	3-2
8	20.32	-8	33	83.82	3-3/2
9	22.86	-9/3	34	86.36	3-4/2
10	25.40	1-	35	88.90	3-5/2
11	27.94	1-1/2	36	91.44	3-6/2
12	30.48	1-2/2	37	93.98	3-7
13	33.02	1-3/3	38	96.52	3-8
14	35.56	1-4/2	39	99.06	3-9
15	38.10	1-5/3	40	101.60	4-0
16	40.64	1-6/2	41	104.14	4-1
17	43.18	1-7	42	106.68	4-2
18	45.72	1-8/2	43	109.22	4-3
19	48.26	1-9/2	44	111.76	4-4
20	50.80	2-0/3	45	114.30	4-5
21	53.34	2-1/3	46	116.84	4-6
22	55.88	2-2/2	47	119.38	4-7
23	58.42	2-3/2	48	121.92	4-8
24	60.96	2-4/2	49	124.46	4-9
25	63.50	2-829 394-5/3	50	127.00	5-829 394-0



- 1 MIN. 0.7 µm PdNi + MIN. 0.1 µm GOLD FLASH BY AREA "F" OVER MIN. 1.27 µm Ni BY AREA "B" IN AREA "C" MIN. 3 µm TIN OVER MIN. 1.27 µm Ni
- 2 OBSOLETE PARTS: OBSOLETE C IS STREAMLINING PER D.RENAUD/D.SINISI
- 3 OBSOLETE

REMARK BEMERKUNG	MATERIAL	DESCRIPTION BEZEICHNUNG
1	CuZn	CONTACT PIN KONTAKTSTIFT
COLOUR GREEN	PBT GV UL 94 - V0	PIN HOUSING STIFTGEHAEUSE



PC BOARD LAYOUT LEITERPLATTENANSCHLUSSBILD

THIS DRAWING IS A CONTROLLED DOCUMENT.	
DIMENSIONS: mm	TOLERANCES UNLESS OTHERWISE SPECIFIED:
	0 PLC ±0.2
	1 PLC ±0.2
	2 PLC ±0.2
	3 PLC ±
	4 PLC ±
	ANGLES ±2°
MATERIAL -	FINISH -

DWN G.ACKERMANN 24 JUN 2005
 CHK M.SCHAARSCHMIDT 24 JUN 2005
 APVD G.FELDMEIER 24 JUN 2005
 PRODUCT SPEC 108-18012
 APPLICATION SPEC -
 WEIGHT -
 CUSTOMER DRAWING

STE TE Connectivity

NAME AMPMODU II PIN HEADER, DUAL ROW

SIZE A3	CAGE CODE 00779	DRAWING NO C-829394	RESTRICTED TO -
---------	-----------------	---------------------	-----------------

SCALE 5:1 SHEET 1 OF 1 REV B