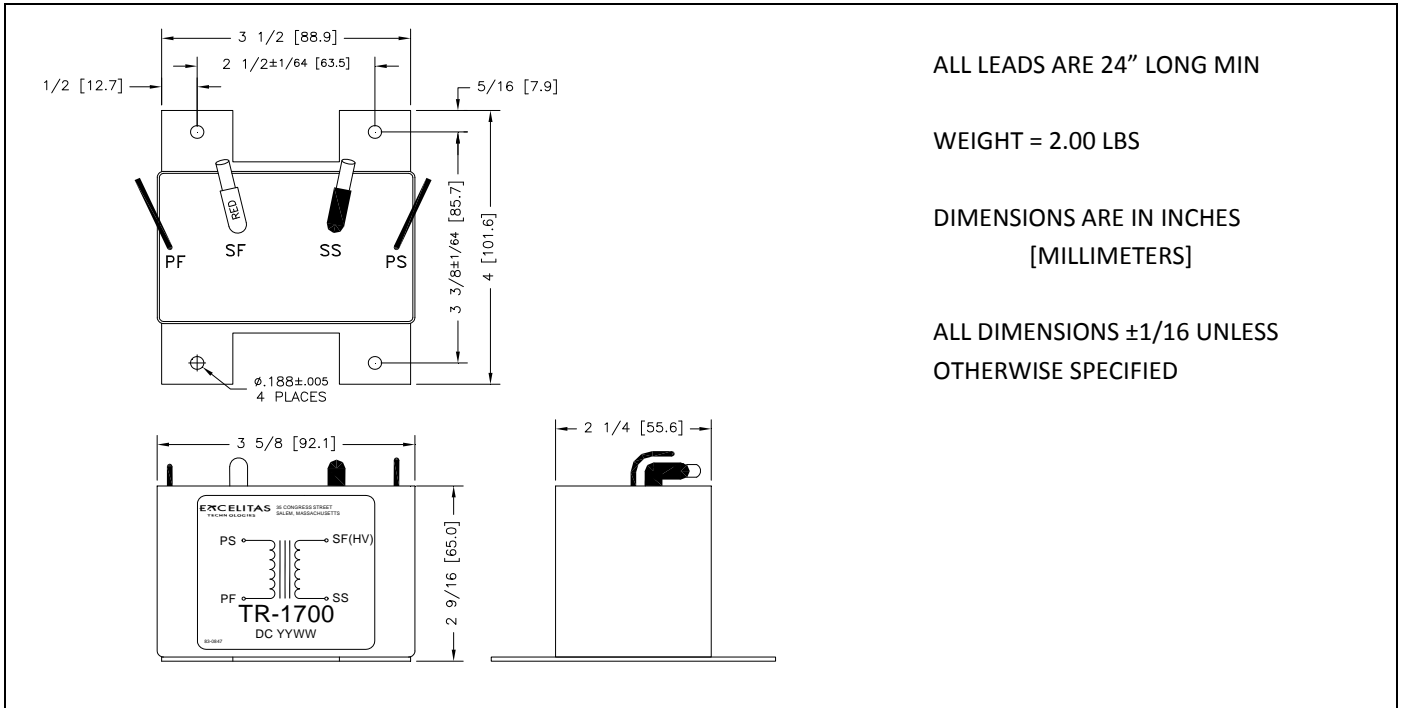


TR-1700

External Trigger Transformer



ALL LEADS ARE 24" LONG MIN

WEIGHT = 2.00 LBS

DIMENSIONS ARE IN INCHES
[MILLIMETERS]

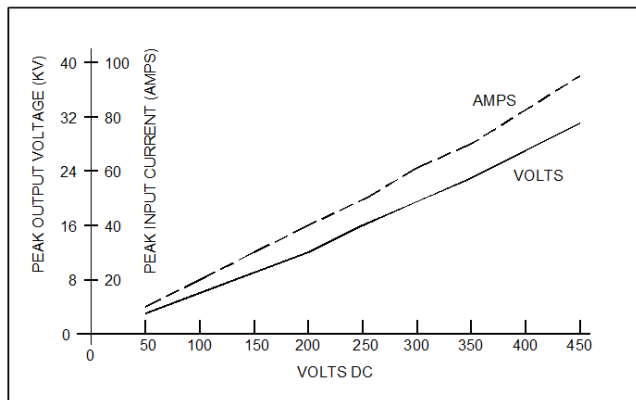
ALL DIMENSIONS ±1/16 UNLESS
OTHERWISE SPECIFIED

OUTLINE & MOUNTING DIMENSIONS

SPECIFICATIONS

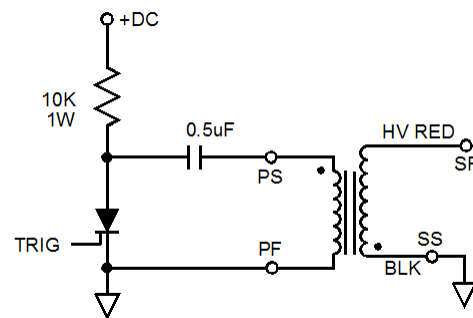
Maximum DC input	400 Volts
Primary peak current	70 Amps
Turns ratio (secondary to primary)	70:1
Hold-off voltage (secondary to primary)	20 KVdc

Output voltage	28 KV
Rise time 10%-90%	.75 uSec max.
Pulse width 50% amplitude	1.5 uSec min.



INPUT VS. OUTPUT

All values are nominal; specification subject to change without notice.



TYPICAL CIRCUIT

Excelitas Technologies
Power Supplies and Systems
35 Congress Street
Salem Massachusetts 01970 USA
Telephone: (+1) 978.224.4100
Toll Free: (+1) 800.950.3441
Fax: (+1) 978.745.0894
aes.na@excelitas.com

Excelitas Technologies
Power Supplies and Systems
1330 East Cypress Street
Covina, California 91724 USA
Telephone: (+1) 626.967.6021
Toll Free: (+1) 800.363.2095
Fax: (+1) 626.967.3151
aes.na@excelitas.com



For a complete listing of our global offices, visit www.excelitas.com/locations

© 2015 Excelitas Technologies Corp. All rights reserved. The Excelitas logo and design are registered trademarks of Excelitas Technologies Corp. All other trademarks not owned by Excelitas Technologies or its subsidiaries that are depicted herein are the property of their respective owners. Excelitas reserves the right to change this document at any time without notice and disclaims liability for editorial, pictorial or typographical errors.