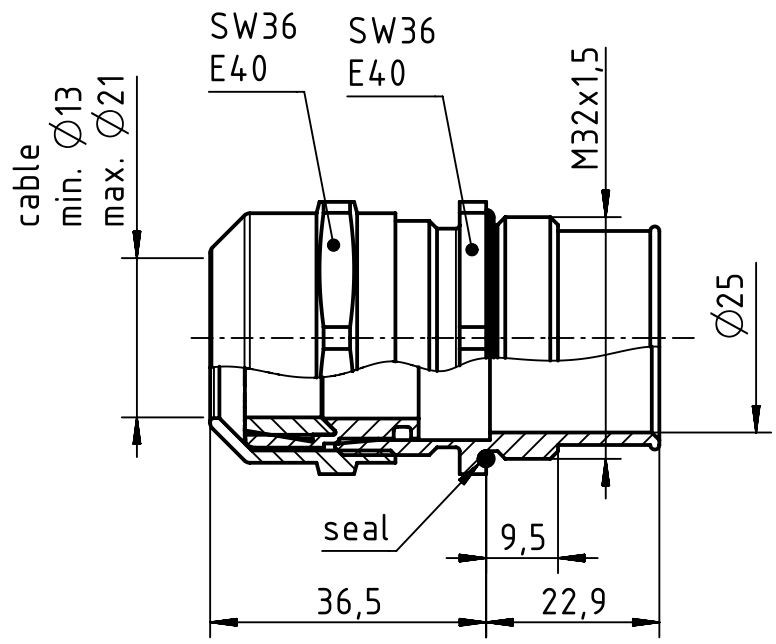
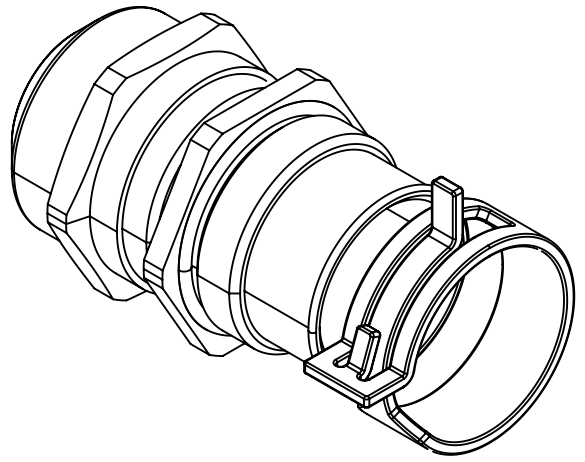
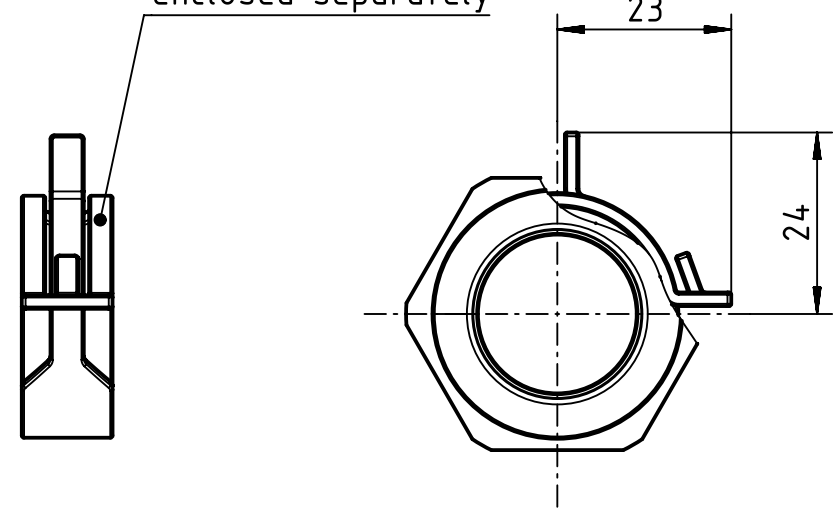


1 2 3 4 5 6

A
B
C
D



spring band clamp
enclosed separately



	All Dimensions in mm Original Size DIN A4		Scale 1:1	Free size tol.		Ref.		
						Sub.		
	All rights reserved		Created by TEICHRIBR	Inspected by RIEPE	Standardisation GARSKE	Date 2019-05-03	State Final Release	
	Department EL PD		Title Spec. Cable Gland M32 Cable-Ø13-21 SBC				Doc-Key / ECM-Nr. 100195258/UGD/004/B 500000150838	
HARTING Electric GmbH & Co. KG D-32339 Espelkamp			Type TB	Number 19 00 000 5014			Rev. B	Page 1/1