

**MATERIALS AND FINISHES**

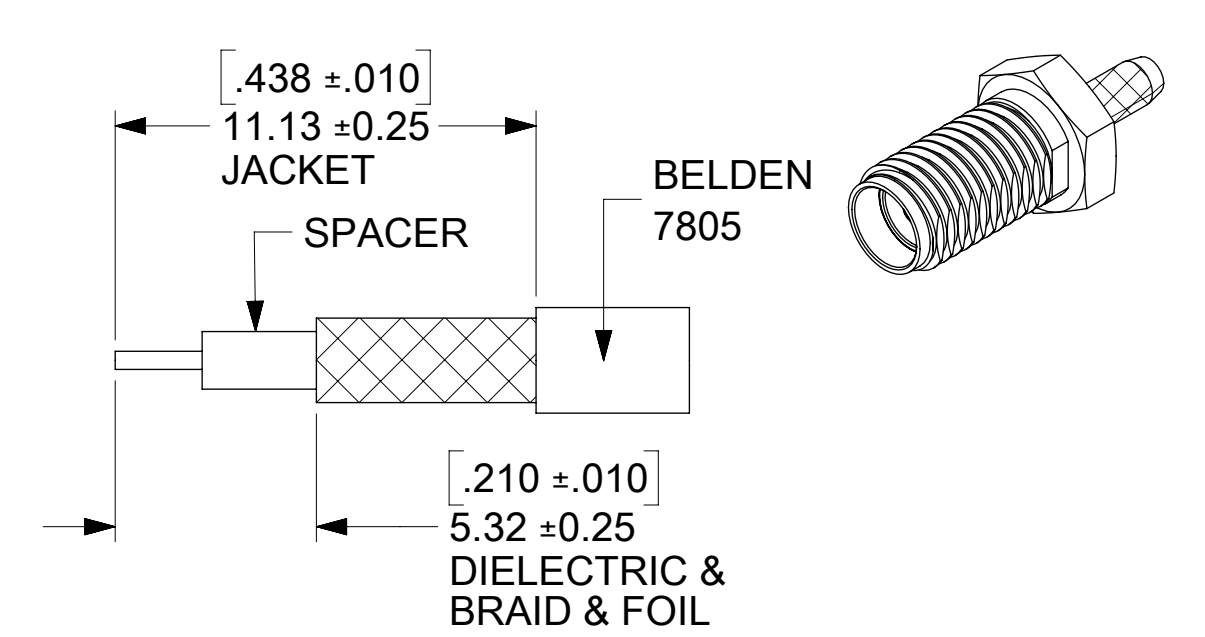
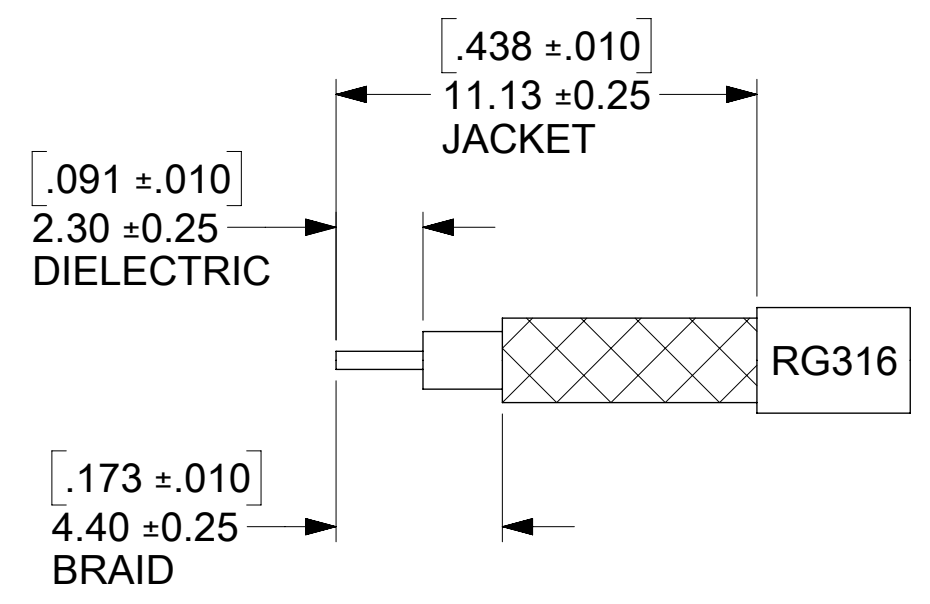
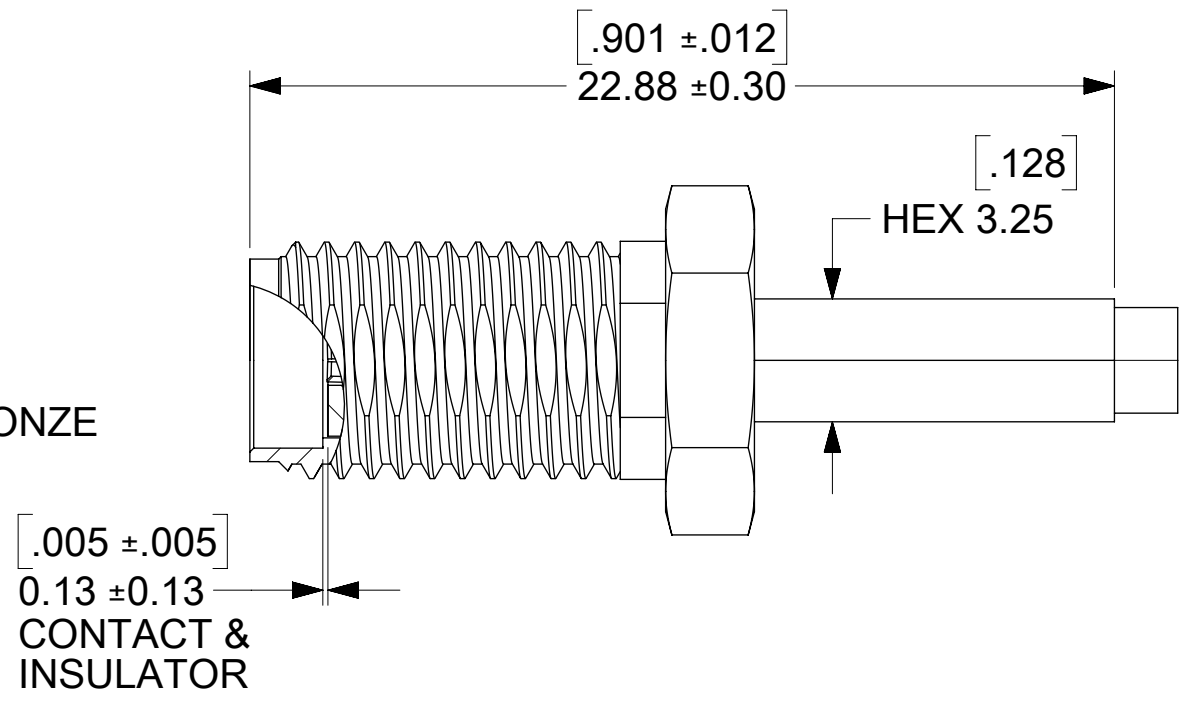
**BODY, CRIMP TUBE:** BRASS  
PLATED SEE TABLE

**CONTACT:** BERYLLIUM COPPER  
PLATED SEE TABLE

**LOCK WASHER:** PHOSPHOR BRONZE  
PLATED SEE TABLE

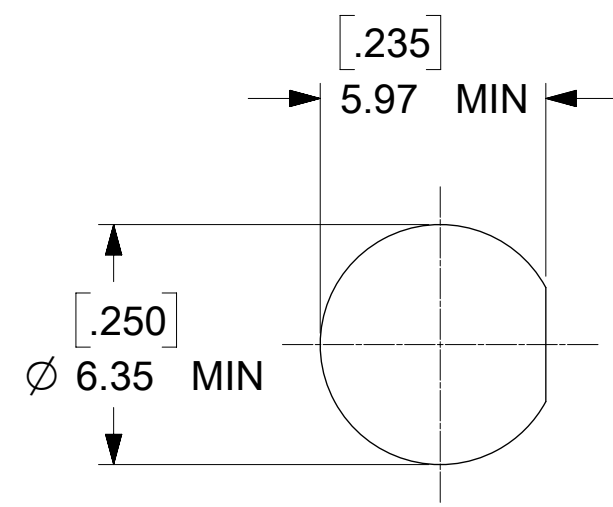
**JAM NUT:** BRASS  
PLATED SEE TABLE

**INSULATOR, SPACER:** TEFLON

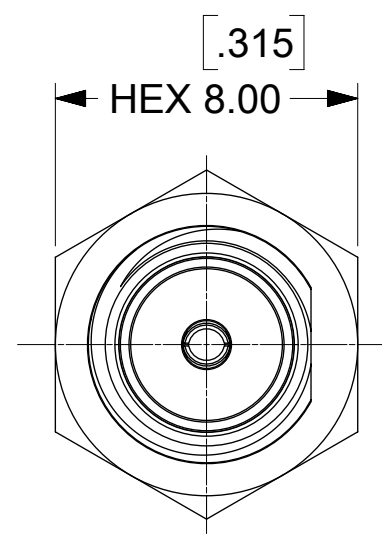


CABLE STRIPPING DIMENSIONS FOR -0260 THRU -0262 & -0264 & -0266

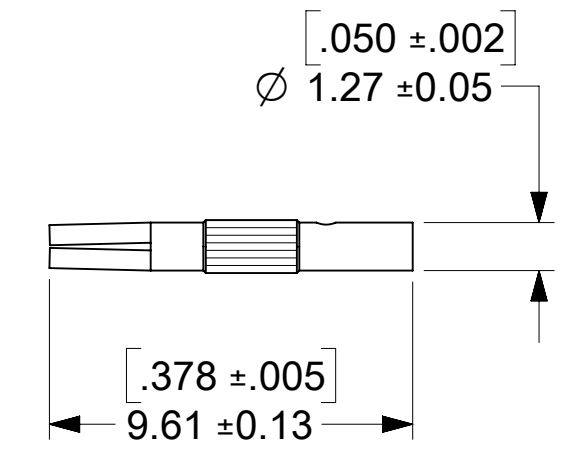
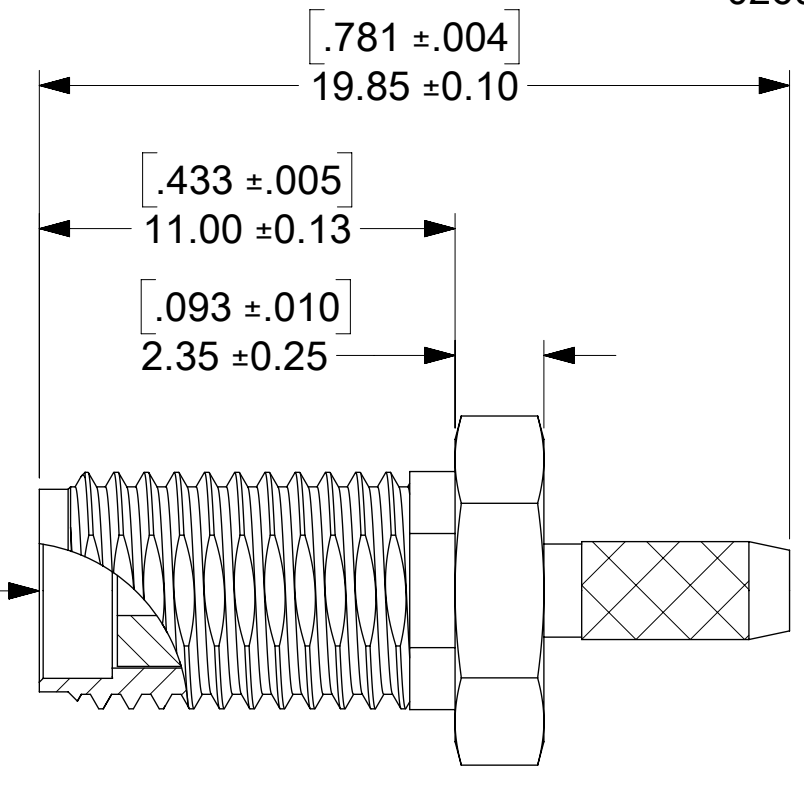
CABLE STRIPPING DIMENSIONS FOR -0263 ONLY



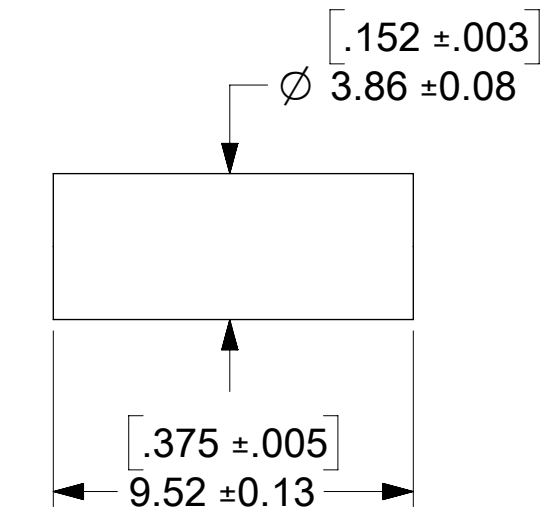
RECOMMENDED PANEL CUTOUT  
MAX PANEL THICKNESS 3.18 (.125)



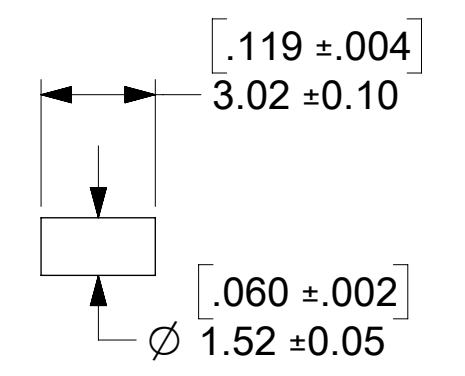
SMA JACK  
INTERFACE



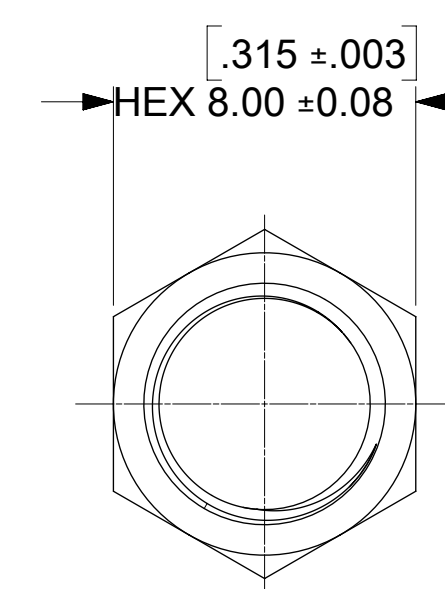
CONTACT



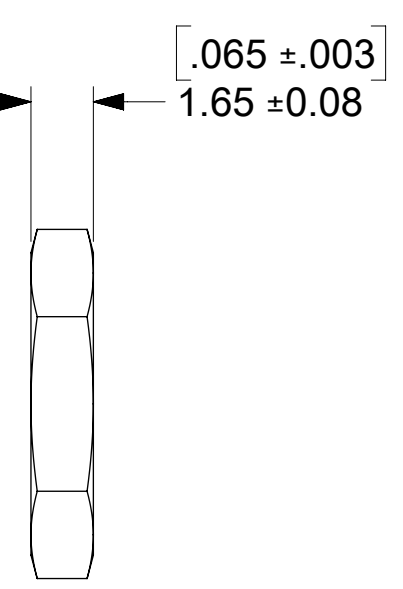
CRIMP TUBE



SPACER  
FOR -0263 ONLY



JAM NUT



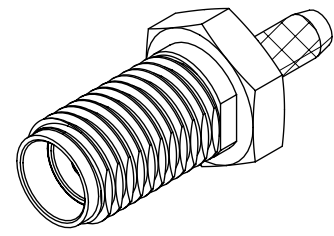
LOCK WASHER

73391-0266	GOLD (FLASH)	GOLD (10 MICRO-IN MIN)	GOLD (FLASH)	GOLD (10 MICRO-IN MIN)
73391-0265	GOLD (30 MICRO-IN MIN)	GOLD (30 MICRO-IN MIN)	GOLD (30 MICRO-IN MIN)	GOLD (30 MICRO-IN MIN)
73391-0264	GOLD (FLASH)	GOLD (FLASH)	GOLD (FLASH)	GOLD (10 MICRO-IN MIN)
73391-0263	GOLD (10 MICRO-IN MIN)	GOLD (30 MICRO-IN MIN)	NOT INCLUDING	NOT INCLUDING
73391-0262	GOLD (10 MICRO-IN MIN)	GOLD (30 MICRO-IN MIN)	NOT INCLUDING	NOT INCLUDING
73391-0261	GOLD (FLASH)	GOLD (10 MICRO-IN MIN)	NOT INCLUDING	NOT INCLUDING
73391-0260	GOLD (FLASH)	GOLD (10 MICRO-IN MIN)	GOLD (FLASH)	GOLD (10 MICRO-IN MIN)
PART NO.	BODY/CRIMP TUBE	CONTACT	JAM NUT	LOCK WASHER

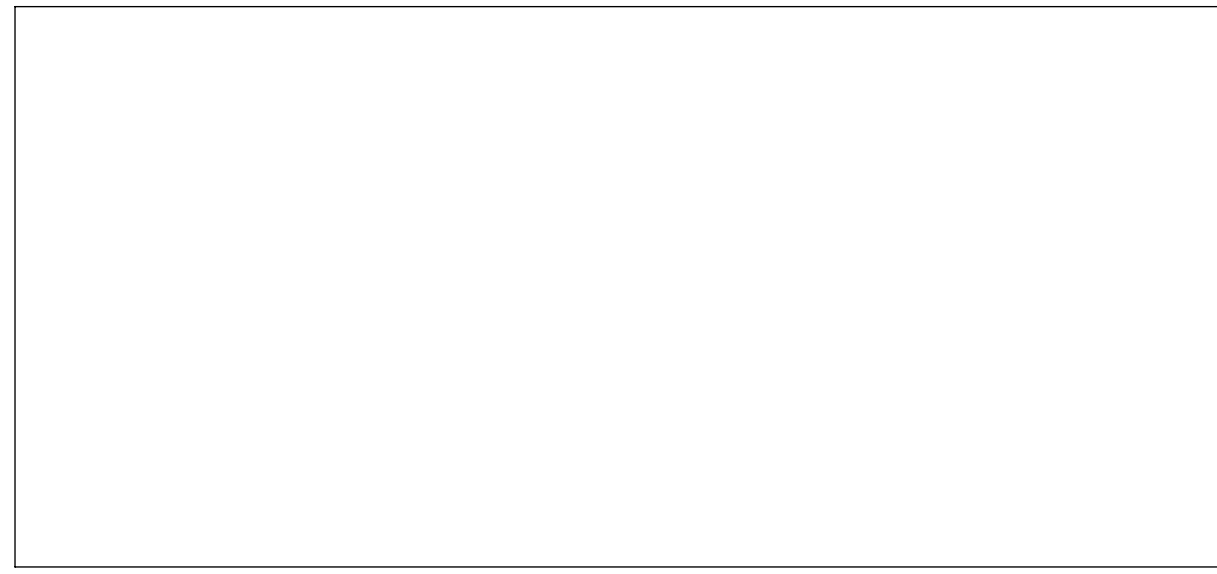
73391-0266	50PCS PER BAG	50PCS PER BAG
73391-0265	50PCS PER BAG	250PCS PER BAG
73391-0264	50PCS PER BAG	250PCS PER BAG
73391-0263	50PCS PER BAG	NOT INCLUDING
73391-0262	50PCS PER BAG	NOT INCLUDING
73391-0261	50PCS PER BAG	NOT INCLUDING
73391-0260	50PCS PER BAG	250PCS PER BAG
PART NO.	CONNECTOR PACKAGING	ACCESSORIES PACKAGING

PS-89675-346	ELEC/MECH PERFORMANCE
SPECIFICATION	DESCRIPTION

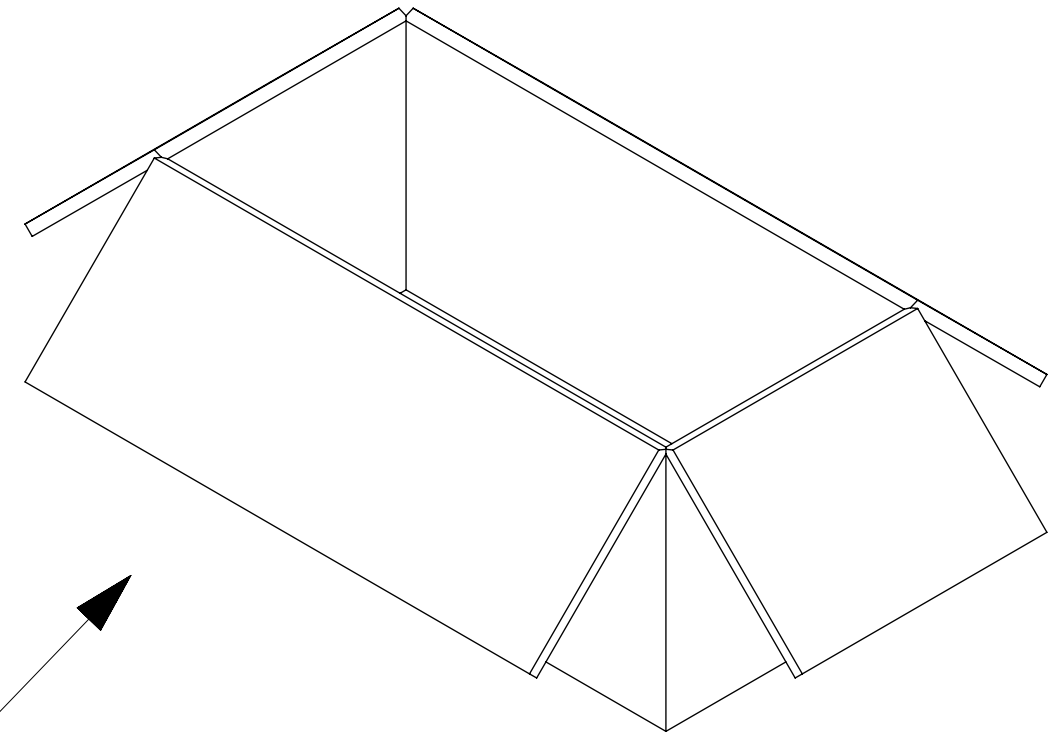
FUNCTIONAL SYMBOLS FA=0 EA=0 EP=0	THIS DRAWING CONTAINS INFORMATION THAT IS PROPRIETARY TO MOLEX ELECTRONIC TECHNOLOGIES, LLC AND SHOULD NOT BE USED WITHOUT WRITTEN PERMISSION		CURRENT REV DESC: EWR # 15667-A : ADDED -0266	
	DIMENSION UNITS	SCALE	PART NO	
	MM/INCH	NTS	EC NO: 738061	
	GENERAL TOLERANCES (UNLESS SPECIFIED)		DRWN: JSU18 2023/02/08	
ANGULAR TOL ± °		CHK'D: YCHENG 2023/02/21		
4 PLACES ±		APPR: YCHENG 2023/02/21		
3 PLACES ±		INITIAL REVISION:		
2 PLACES ±		DRWN: AROBERTSON 2007/04/09		
1 PLACE ±		APPR: JWIENER 2007/04/09		
0 PLACES ±		DRAWING SERIES		
DRAFT WHERE APPLICABLE MUST REMAIN WITHIN DIMENSIONS		THIRD ANGLE PROJECTION	C-SIZE	73391
DOCUMENT STATUS		DOCUMENT NUMBER	CUSTOMER	SHEET NUMBER
P1	RELEASE DATE 2023/02/21 04:15:15	SD-73391-026	GENERAL MARKET	1 OF 3
MOLEX		SMA JACK STR BKHD RM FOR RG316/RG174 SMA-JC		PRODUCT CUSTOMER DRAWING
PS-89675-346		DOC TYPE	DOC PART	REVISION
ELEC/MECH PERFORMANCE		PSD	000	B9
SPECIFICATION		SEE TABLE		1 OF 3



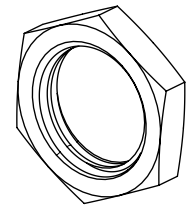
P/N: 73391-0260  
 73391-0261  
 73391-0262  
 73391-0263  
 73391-0264  
 73391-0265



50 SET PER BAG  
 P/N: 89707-0174



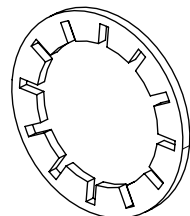
250 SET PER INNER  
 CARTON BOX  
 P/N: 89499-9026



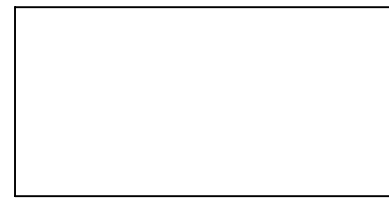
JAM NUT



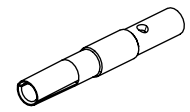
250 SET PER BAG



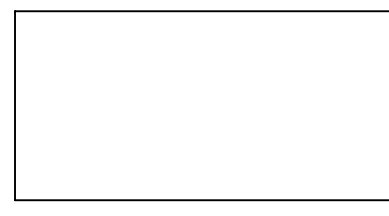
LOCK WASHER



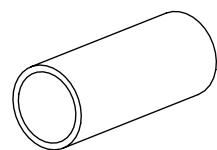
250 SET PER BAG



CONTACT



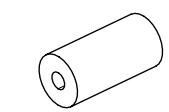
250 SET PER BAG



CRIMP TUBE



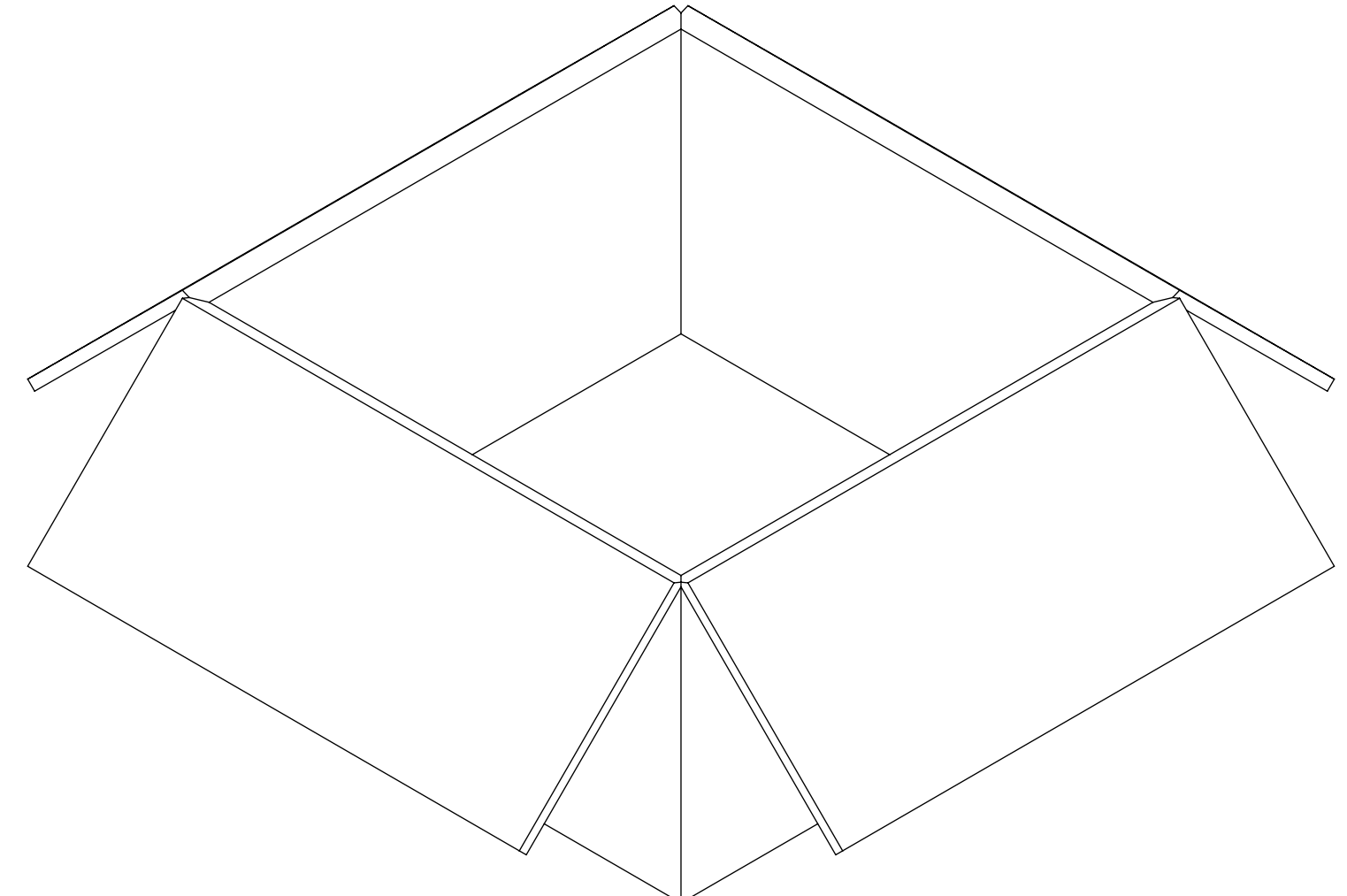
250 SET PER BAG



SPACER  
 FOR -0263 ONLY

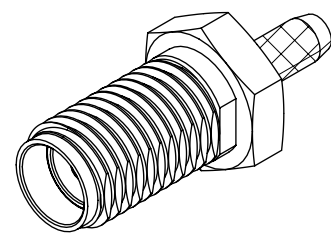


250 SET PER BAG

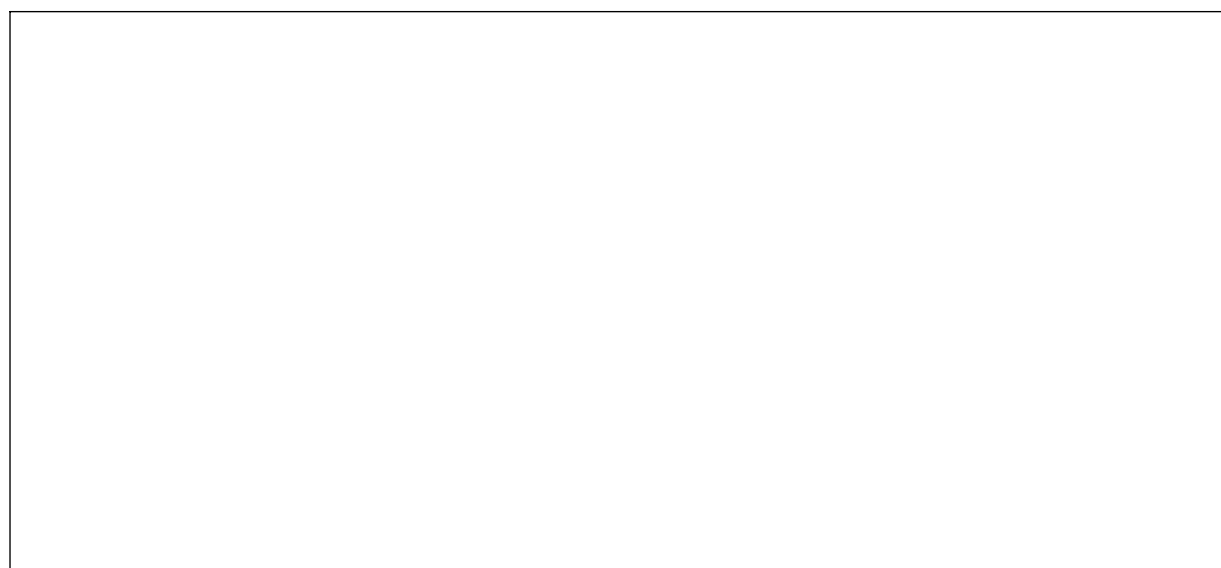


500 SET PER OUTER  
 CARTON BOX  
 P/N: 89499-9027

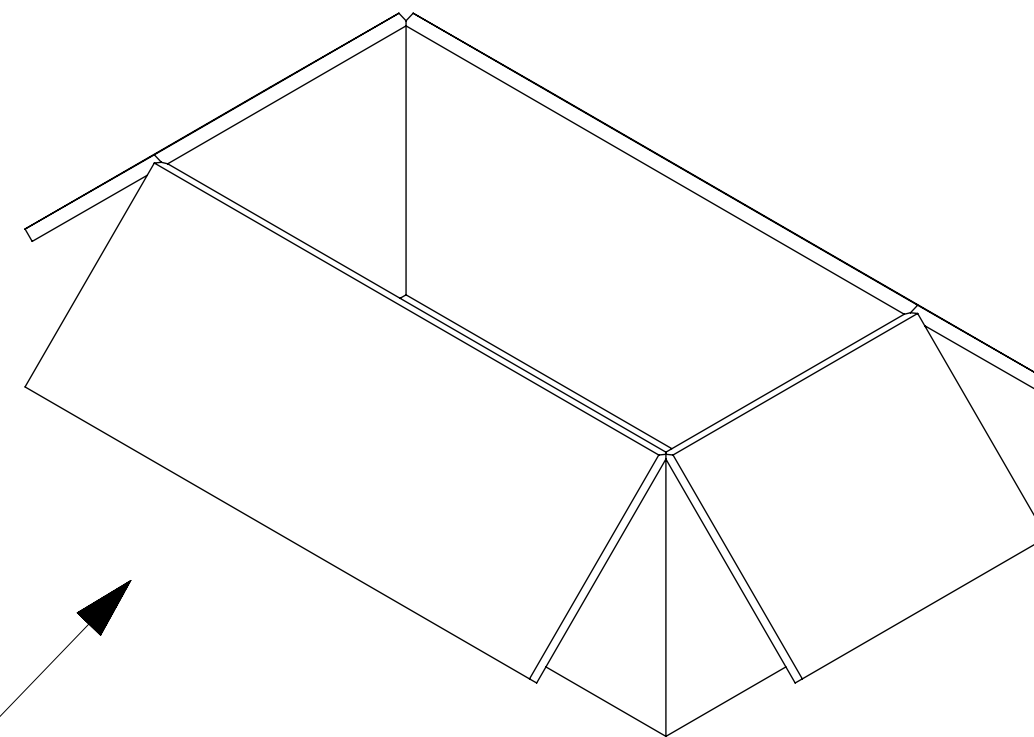
FUNCTIONAL SYMBOLS	THIS DRAWING CONTAINS INFORMATION THAT IS PROPRIETARY TO MOLEX ELECTRONIC TECHNOLOGIES, LLC AND SHOULD NOT BE USED WITHOUT WRITTEN PERMISSION											
	DIMENSION UNITS	SCALE	CURRENT REV DESC: EWR # 15667-A : ADDED -0266							PART NO		
$\frac{E}{A} = 0$	MM/INCH	NTS								<b>molex</b>		
$\frac{E}{C} = 0$	GENERAL TOLERANCES (UNLESS SPECIFIED)											
$\frac{E}{P} = 0$	ANGULAR TOL		±	°						SMA JACK STR BKHD RM FOR RG316/RG174 SMA-JC		
DIVISIONAL SYMBOLS	4 PLACES		±								EC NO: 738061	
	3 PLACES		±						DRWN: JSU18 2023/02/08			
	2 PLACES		±						CHK'D: YCHENG 2023/02/21			
	1 PLACE		±						APPR: YCHENG 2023/02/21			
0 PLACES		±						INITIAL REVISION:		PRODUCT CUSTOMER DRAWING		
DRAFT WHERE APPLICABLE MUST REMAIN WITHIN DIMENSIONS		THIRD ANGLE PROJECTION		DRAWING	SERIES	DOCUMENT NUMBER		DOC TYPE	DOC PART	REVISION		
				C-SIZE	73391	SD-73391-026		PSD	000	B9		
						MATERIAL NUMBER		CUSTOMER		SHEET NUMBER		
								GENERAL MARKET		2 OF 3		



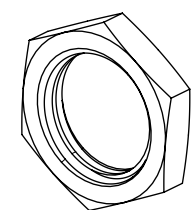
P/N: 73391-0266



50 SET PER BAG  
P/N: 89707-0174



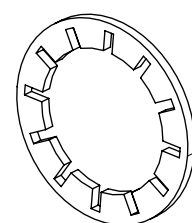
250 SET PER INNER  
CARTON BOX  
P/N: 89499-9026



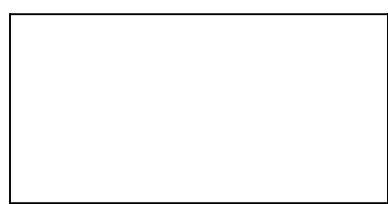
JAM NUT



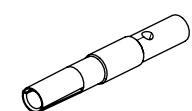
50 SET PER BAG



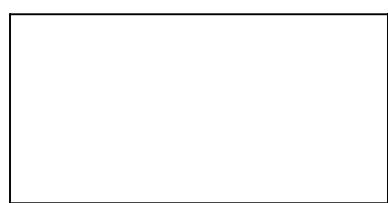
LOCK WASHER



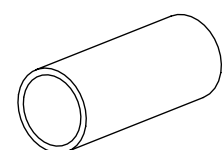
50 SET PER BAG



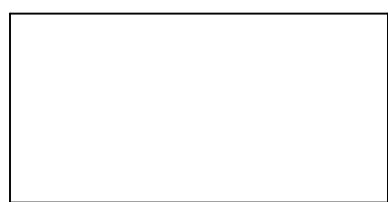
CONTACT



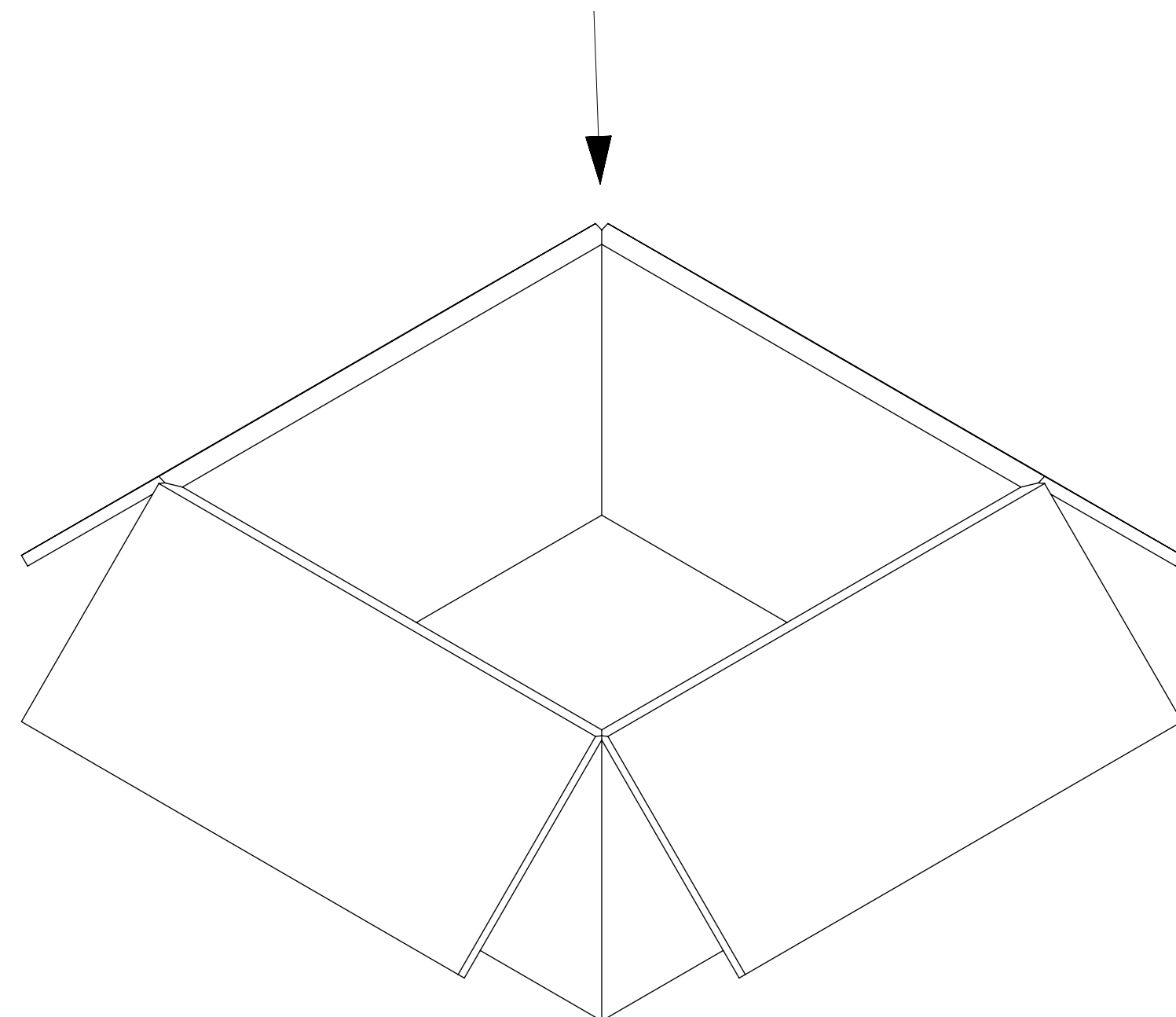
50 SET PER BAG



CRIMP TUBE



50 SET PER BAG



500 SET PER OUTER  
CARTON BOX  
P/N: 89499-9027

FUNCTIONAL SYMBOLS	THIS DRAWING CONTAINS INFORMATION THAT IS PROPRIETARY TO MOLEX ELECTRONIC TECHNOLOGIES, LLC AND SHOULD NOT BE USED WITHOUT WRITTEN PERMISSION										
	DIMENSION UNITS	SCALE	CURRENT REV DESC: EWR # 15667-A : ADDED -0266							<b>molex</b>	
	$\frac{F}{A} = 0$	MM/INCH NTS	PART NO								
	GENERAL TOLERANCES (UNLESS SPECIFIED)										SMA JACK STR BKHD RM FOR RG316/RG174 SMA-JC
DIVISIONAL SYMBOLS	ANGULAR TOL		±	°	EC NO: 738061					PRODUCT CUSTOMER DRAWING	
	4 PLACES		±		DRWN: JSU18 2023/02/08					DOCUMENT NUMBER	
	3 PLACES		±		CHK'D: YCHENG 2023/02/21					SD-73391-026	
	2 PLACES		±		APPR: YCHENG 2023/02/21					DOC TYPE DOC PART REVISION	
1 PLACE		±		INITIAL REVISION:					PSD 000 B9		
0 PLACES		±		DRWN: AROBERTSON 2007/04/09					MATERIAL NUMBER		
DRAFT WHERE APPLICABLE MUST REMAIN WITHIN DIMENSIONS		THIRD ANGLE PROJECTION			DRAWING		SERIES		CUSTOMER		SHEET NUMBER
					C-SIZE		73391		GENERAL MARKET		3 OF 3

DOCUMENT STATUS	P1	RELEASE DATE	2023/02/21	04:15:15
-----------------	----	--------------	------------	----------