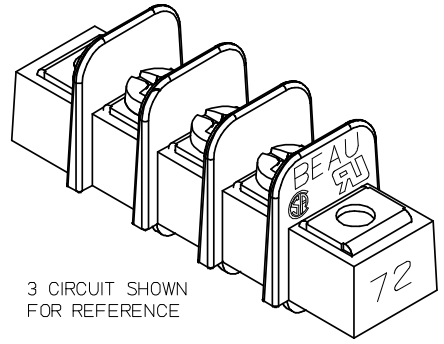
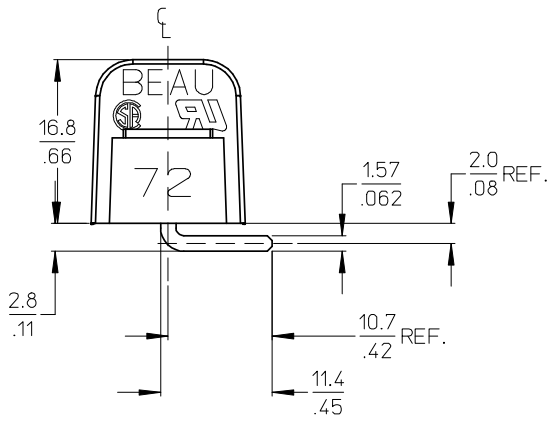
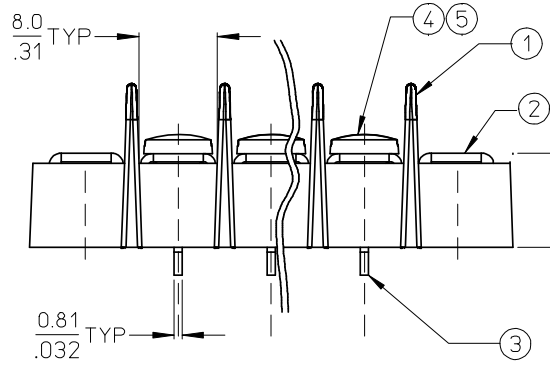


REF. -50 OPT. SCREW
(WHERE APPLICABLE)



3 CIRCUIT SHOWN
FOR REFERENCE



- NOTES:
 1. MATERIAL: SEE TABLE.
 2. FINISHES: SEE TABLE.
 3. PRODUCT SPECIFICATION: NOT REQUIRED.
 4. "XX" REFERS TO THE QUANTITY OF CIRCUITS.
 5. RHOS COMPLIANT.

6	XX	SCRW&WSHR,#6-32X.25 PANHD,PH-SL (OPT -50)	STEEL	ZN, CLEAR CHROMATE
5	XX	SCREW,#6-32X.250,PAN,PHIL-SLOT (OPT -49)	BRASS	NICKEL PLATE
4	XX	SCREW,#6-32X.250,BHD,PHIL-SLOT (STD)	STEEL	ZN, CLEAR CHROMATE
3	XX	TERMINAL, WIRE WRAP, #6-32	BRASS	TIN PLATE
2	2	PLATE, MOUNTING #6	BRASS	NICKEL PLATE
1	1	INSULATOR SR BTS PC	POLYESTER (PBT)	BLACK
ITEM	QTY.	DESCRIPTION	MATERIAL	FINISH

INITIAL RELEASE
 EC NO: WNA2008-0402
 DRAWN: JENC INAS 2008/07/28
 CHYKD: CYORK 2008/08/15
 APPR: JMACNEIL 2008/08/15

QUALITY SYMBOLS
 ▽=0
 ▽=0

GENERAL TOLERANCES (UNLESS SPECIFIED)	
4 PLACES	± --- ± ---
3 PLACES	± --- ± .005
2 PLACES	± 0.13 ± .01
1 PLACE	± 0.3 ± ---
ANGULAR ± 2 °	
DRAFT WHERE APPLICABLE MUST REMAIN WITHIN DIMENSIONS	

DIMENSION STYLE	
MM/IN	
DRAWN BY	DATE
JENC INAS	2008/07/09
CHECKED BY	DATE
CYORK	2008/07/11
APPROVED BY	DATE
JMACNEIL	2008/07/11
MATERIAL NO.	DOCUMENT NO.
SEE SHEET 2	SD-38721-008

SCALE	2:1	DESIGN UNITS	INCH	THIRD ANGLE PROJECTION
TITLE				
9.53/.375 SR BTS PCB RIGHT ANGLE ASSEMBLY (728XX,-49,-50)				
MOLEX INCORPORATED			SHEET NO. 1 OF 2	
THIS DRAWING CONTAINS INFORMATION THAT IS PROPRIETARY TO MOLEX INCORPORATED AND SHOULD NOT BE USED WITHOUT WRITTEN PERMISSION				

QTY CKTS	DIM "A"		DIM "B"		DIM "C"		DIM "D"		MATERIAL #	MATERIAL #	MATERIAL #
	MM	INCH	MM	INCH	MM	INCH	MM	INCH	STD. OPT.	-49 OPT.	-50 OPT.
2	40.3	1.59	9.53	0.375	28.58	1.125	21.1	0.83	387215202	387215502	387215802
3	49.8	1.96	19.05	0.750	38.10	1.500	30.6	1.21	387215203	387215503	387215803
4	59.3	2.34	28.58	1.125	47.63	1.875	40.2	1.58	387215204	387215504	387215804
5	68.8	2.71	38.10	1.500	57.15	2.250	49.7	1.96	387215205	387215505	387215805
6	78.4	3.09	47.63	1.875	66.68	2.625	59.2	2.33	387215206	387215506	387215806
7	87.9	3.46	57.15	2.250	76.20	3.000	68.8	2.71	387215207	387215507	387215807
8	97.4	3.84	66.68	2.625	85.73	3.375	78.3	3.08	387215208	387215508	387215808
9	106.9	4.21	76.20	3.000	95.25	3.750	87.8	3.46	387215209	387215509	387215809
10	116.5	4.59	85.73	3.375	104.78	4.125	97.3	3.83	387215210	387215510	387215810
11	126.0	4.96	95.25	3.750	114.30	4.500	106.9	4.21	387215211	387215511	387215811
12	135.5	5.34	104.78	4.125	123.83	4.875	116.4	4.58	387215212	387215512	387215812
13	145.0	5.71	114.30	4.500	133.35	5.250	125.9	4.96	387215213	387215513	387215813
14	154.6	6.09	123.83	4.875	142.88	5.625	135.5	5.33	387215214	387215514	387215814
15	164.1	6.46	133.35	5.250	152.40	6.000	145.0	5.71	387215215	387215515	387215815
16	173.6	6.84	142.88	5.625	161.93	6.375	154.5	6.08	387215216	387215516	387215816
17	183.1	7.21	152.40	6.000	171.45	6.750	164.1	6.46	387215217	387215517	387215817
18	192.7	7.59	161.93	6.375	180.98	7.125	173.6	6.83	387215218	387215518	387215818
19	202.2	7.96	171.45	6.750	190.50	7.500	183.1	7.21	387215219	387215519	387215819
20	211.7	8.34	180.98	7.125	200.03	7.875	192.6	7.58	387215220	387215520	387215820
21	221.2	8.71	190.50	7.500	209.55	8.250	202.2	7.96	387215221	387215521	387215821
22	230.8	9.09	200.03	7.875	219.08	8.625	211.7	8.33	387215222	387215522	387215822
23	240.3	9.46	209.55	8.250	228.60	9.000	221.2	8.71	387215223	387215523	387215823
24	249.8	9.84	219.08	8.625	238.13	9.375	230.8	9.08	387215224	387215524	387215824
25	259.3	10.21	228.60	9.000	247.65	9.750	240.3	9.46	387215225	387215525	387215825
26	268.9	10.59	238.13	9.375	257.18	10.125	249.8	9.83	387215226	387215526	387215826

INITIAL RELEASE EC NO: WNA2008-0402 DRAWN: JENCINAS 2008/07/28 CHKD: CYORK 2008/08/15 APPR: JMACNEIL 2008/08/15	DESCRIPTION A	QUALITY SYMBOLS ▽=0 ▽=0	GENERAL TOLERANCES (UNLESS SPECIFIED) mm INCH 4 PLACES ± --- ± --- 3 PLACES ± --- ± .005 2 PLACES ± 0.13 ± .01 1 PLACE ± 0.3 ± --- ANGULAR ± 2°	DIMENSION STYLE MM/IN DRAWN BY DATE JENCINAS 2008/07/09 CHECKED BY DATE CYORK 2008/07/11 APPROVED BY DATE JMACNEIL 2008/07/11	SCALE 2:1 DESIGN UNITS INCH THIRD ANGLE PROJECTION	TITLE 9.53/.375 SR BTS PCB RIGHT ANGLE ASSEMBLY (728XX,-49,-50)	MOLEX INCORPORATED DOCUMENT NO. SD-38721-008	SHEET NO. 2 OF 2
		DRAFT WHERE APPLICABLE MUST REMAIN WITHIN DIMENSIONS	SEE CHART	THIS DRAWING CONTAINS INFORMATION THAT IS PROPRIETARY TO MOLEX INCORPORATED AND SHOULD NOT BE USED WITHOUT WRITTEN PERMISSION				