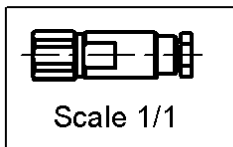
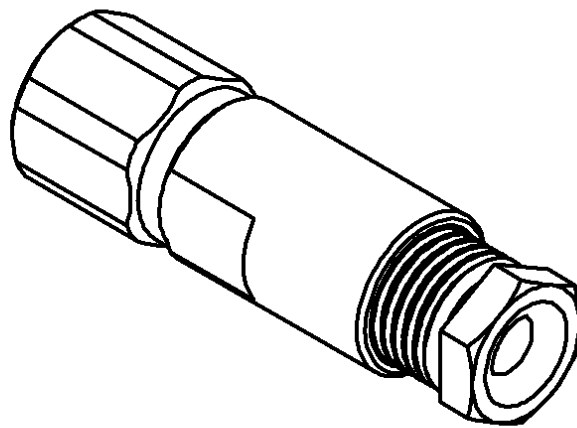
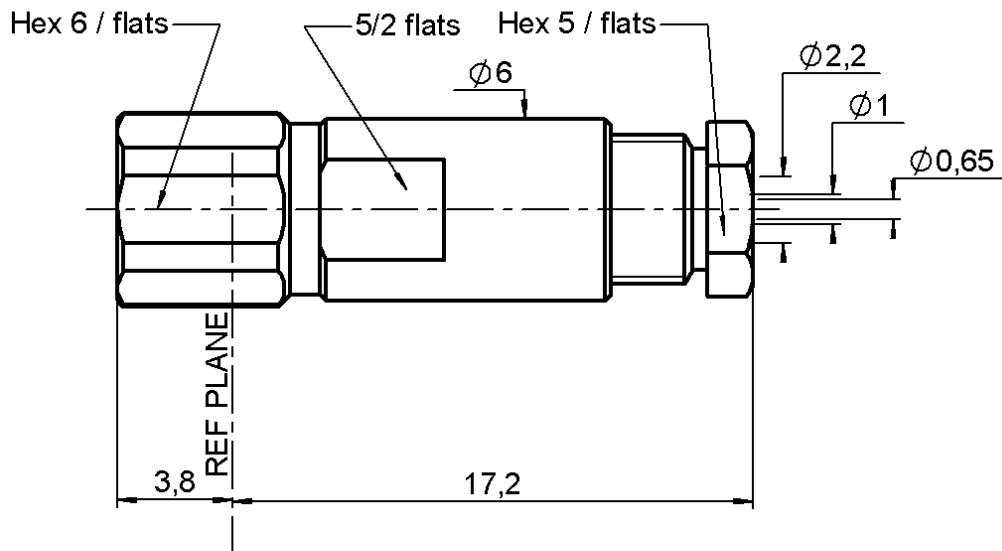


**STRAIGHT PLUG CLAMP TYPE**

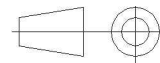
**R112.003.000**

**CABLE 2/50 S**

Series : SMC



All dimensions are in mm.



COMPONENTS	MATERIALS	PLATINGS ( $\mu\text{m}$ )
BODY	BRASS	GOLD 0.2 OVER NICKEL 2
CENTER CONTACT	BERYLLIUM COPPER	GOLD 1.3 OVER NICKEL 2
OUTER CONTACT	-	-
INSULATOR	PTFE	-
GASKET	CHLOROPRENE	-
OTHERS PARTS	BRASS	GOLD 0.2 OVER NICKEL 2
-	-	-
-	-	-

Issue : 0423 B

In the effort to improve our products, we reserve the right to make changes judged to be necessary.



**STRAIGHT PLUG CLAMP TYPE**

**R112.003.000**

**CABLE 2/50 S**

Series : SMC

**PACKAGING**

Standard	Unit	Other
<b>1</b>	-	<b>Contact us</b>

**SPECIFICATION**

**00 A 8722 038077215-8722 038**

**ELECTRICAL CHARACTERISTICS**

Impedance		<b>50</b> Ω
Frequency		<b>0-10</b> GHz
VSWR	<b>1.25</b> +	<b>0.040</b> x F(GHz) Maxi
Insertion loss		<b>0.125</b> √F(GHz) dB Maxi
RF leakage	- (	<b>62</b> - F(GHz)) dB Maxi
Voltage rating		<b>250</b> Veff Maxi
Dielectric withstanding voltage		<b>750</b> Veff mini
Insulation resistance		<b>1000</b> MΩ mini

**CABLE ASSEMBLY**

Stripping	a	b	c	d	e	f
mm	2.50	1.20	4.50	4.50	0.00	0.00

Assembly instruction :

Recommended cable(s)  
 RG 178  
 RG 196  
 RG 178 LC  
 KX 21

Characteristics indicated on this data sheet are those that can be achieved with the highest performance cable. Intrinsic limitations of the cable may diminish the performance of the assembly

Cable retention

- pull off **58** N mini  
 - torque **NA** N.cm

**MECHANICAL CHARACTERISTICS**

Center contact retention		
Axial force – Mating end		<b>10</b> N mini
Axial force – Opposite end		<b>10</b> N mini
Torque		<b>NA</b> N.cm mini

**TOOLING**

Part Number	Description	Hexagon
.	.	.

Recommended torque		
Mating		<b>30</b> N.cm
Panel nut		<b>NA</b> N.cm
Clamp nut		<b>70</b> N.cm
A/F clamp nut		<b>5.000</b> mm

**OTHERS CHARACTERISTICS**

Mating life		<b>500</b> Cycles mini
Weight		<b>2.600</b> g

**ENVIRONMENTAL**

Operating temperature		<b>-55°/+100</b> °C
Hermetic seal		<b>NA</b> Atm.cm3/s
Panel leakage		<b>NA</b>

Issue : 0423 B

In the effort to improve our products, we reserve the right to make changes judged to be necessary.

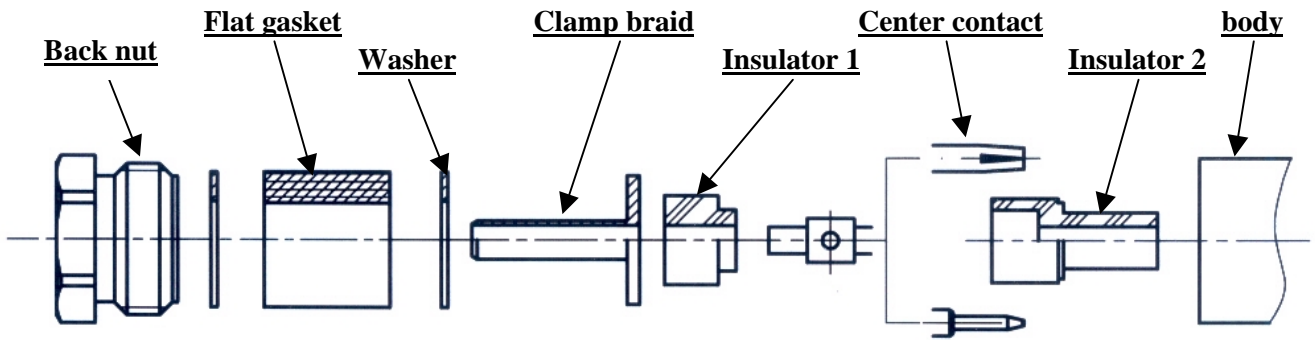


**STRAIGHT PLUG CLAMP TYPE**

**R112.003.000**

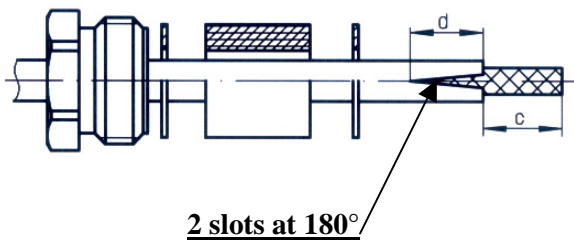
**CABLE 2/50 S**

Series : SMC



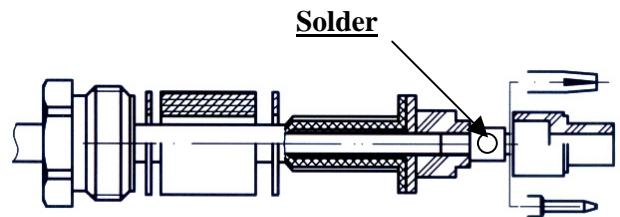
**1**

Slide the back nut, the first washer, the flat gasket, the second washer onto the cable.  
Strip the cable.  
Cut 2 slots in the jacket if necessary.



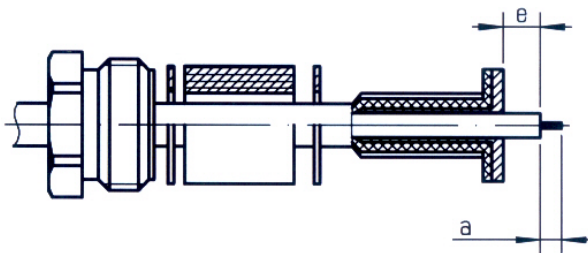
**3**

Slide the first insulator.  
Slide the center contact and solder.  
Slide the second insulator.



**2**

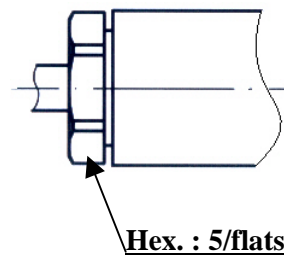
Slide the clamp braid sleeve.  
Cut the braid flush with the clamp braid sleeve.  
Strip off the dielectric.



**4**

Screw sub-assembly into the connector body with the adapted wrench.

Recommended coupling torque ( see connector TDS ).



**Issue : 0423 B**

In the effort to improve our products, we reserve the right to make changes judged to be necessary.



**RADIALL**®