



TE Connectivity

Product Change Notification: P-19-017567

PCN Date: 28-JUN-19

TE would like to inform you of the following change(s) to the listed TE Connectivity Product. In case of any further questions about this change(s), please contact your TE Connectivity Sales Engineer. Affected part, drawing and/or specification numbers are listed on the attached sheet(s).

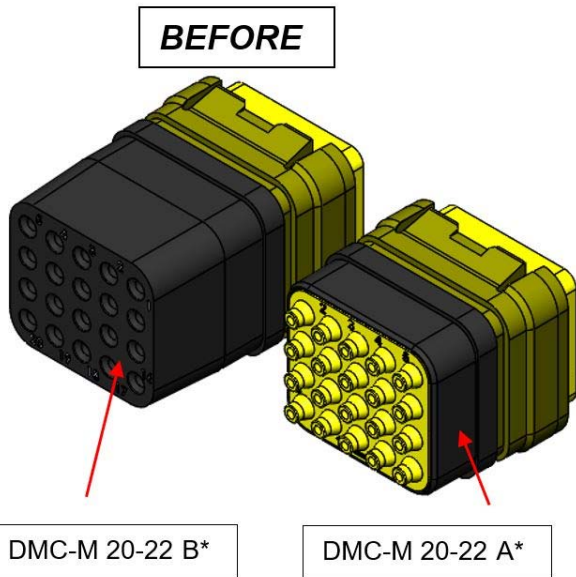
General Product Description:

DMC-M - EN4165 - Layouts 20-22

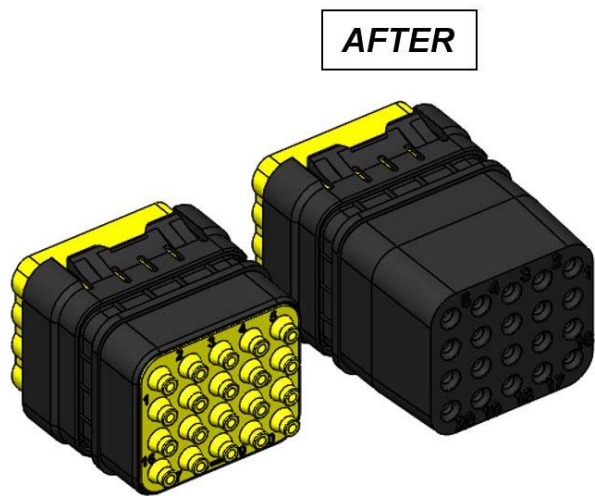
Description of Changes

Reengineering of DMC-M (EN4165-003) module layout 20-22 Parts concerned: DMC-M 20-22** EN4165A20-221** MBBN3330U2022** BAC10BC2022**B (***) All gender, polarization and contact delivery conditions are concerned. The peripheral sealed version and reinforced resistance to fuel are not concerned.

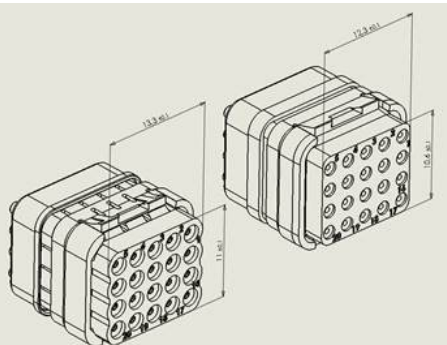
Module before modification



Module after Modification



Dimensions



Reason for Changes:

Product improvement. The evolution concerns the retaining clip in the module. Before evolution: Metallic clip. After evolution: Plastic clips (molded in the retaining insert). Fit and function: no impact, contacts, tooling and wiring procedure are unchanged. Form: Retaining insert becomes black instead of green. Qualification tests were conducted according to EN4165-001 standard. Tests are compiled in test report PVE 787-045 VA. The reengineering versions are EN4165 certified.

Estimated Dates:

Last Order Date (Obsolete Parts Only):

First Date To Ship (Changed Parts Only):

	01-JUL-2018
Last Ship Date (Obsolete Parts Only):	Last Date for Mixed Shipments: (Changed Parts Only):
	No Mixed Shipments

Part Number(s) being Modified:

Part Number	Part Discontinued per PCN	Customer Drawing	Customer Part Number	Alias Part Number(s)	Substitute Part Number	Substitute Alias Part Number(s)	Description Of Difference
ZPF00000000015291	NO			"DMC-M 20-22 AN", "BACI10BC2022PNB"			
ZPF00000000015306	NO			"DMC-M 20-22 PN"			
ZPF00000000015318	NO			"DMC-M 20-22 SN"			
ZPF000000000100306	NO			"732-8256-22"			
ZPF000000000110281	NO			"732-8255-22"			

Part Number(s) being Modified:

Part Number	Part Discontinued per PCN	Customer Drawing	Customer Part Number	Alias Part Number(s)	Substitute Part Number	Substitute Alias Part Number(s)	Description Of Difference
ZPF00000000015291	NO			"DMC-M 20-22 AN", "BACI10BC2022PNB"			
ZPF00000000015306	NO			"DMC-M 20-22 PN"			
ZPF00000000015318	NO			"DMC-M 20-22 SN"			
ZPF000000000100306	NO			"732-8256-22"			
ZPF000000000110281	NO			"732-8255-22"			

Part Number(s) being Modified:

Part Number	Part Discontinued per PCN	Customer Drawing	Customer Part Number	Alias Part Number(s)	Substitute Part Number	Substitute Alias Part Number(s)	Description Of Difference
ZPF00000000015291	NO			"DMC-M 20-22 AN", "BACI10BC2022PNB"			
ZPF00000000015306	NO			"DMC-M 20-22 PN"			
ZPF00000000015318	NO			"DMC-M 20-22 SN"			
ZPF000000000100306	NO			"732-8256-22"			
ZPF000000000110281	NO			"732-8255-22"			