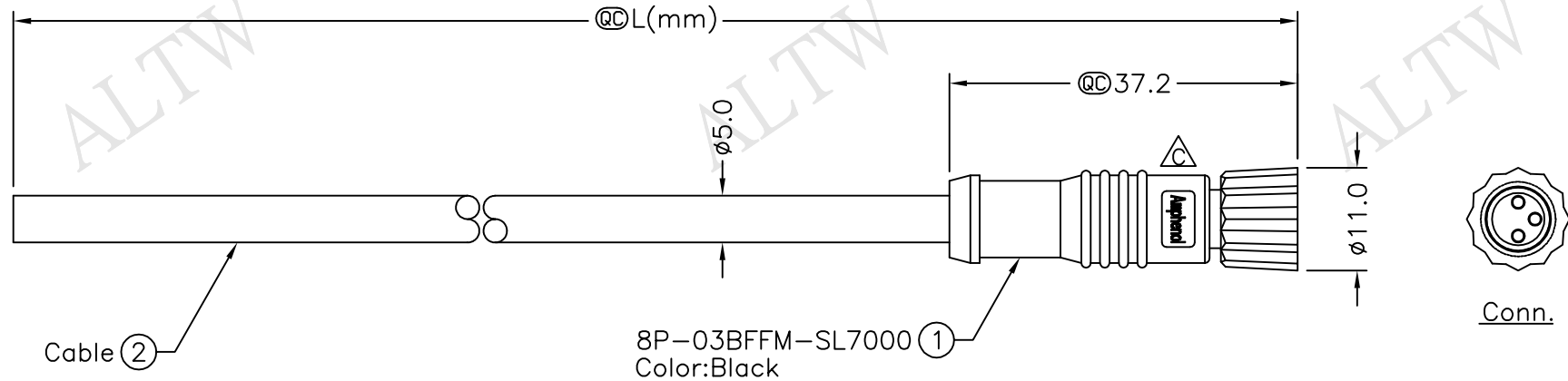
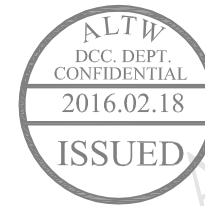


REV.	ECN NO.	DATE	SIGN	DESCRIPTION
B	LEN-920271~274	2009/02/09	Vicky	Update the drawing.
C	LEN1620160~164	2016/02/01	Ruru	Change Logo

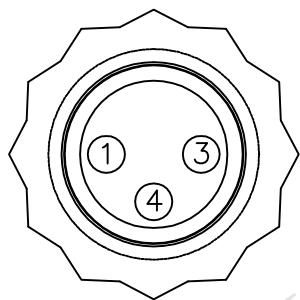


8P-03BFFM-SL7AXX  
 XX:01~99Meters  
 01:01Meter  
 02:02Meters  
 :  
 :  
 99:99Meters  
 Cable Length(L):01~99Meters



Notes:

- \*  $\textcircled{C}$  Important Dimension.
- \* Waterproof Rate: IP67.
- \* Connector: PU, Black.
- \* Female Pin: Copper Alloy, Gold Plated.
- \* Cable:UL2464 22AWG\*3C+Talcum, PVC Jacket, UV Resistant, OD=5.0mm, Black.
- \* Cable Length Tolerance: 01M:±40mm  
 02M~05M:±60mm  
 06M~10M:±100mm  
 11M~30M:±200mm  
 31M~99M:±500mm



Pin Assignments  
Front View

4	Black	黑
3	Blue	藍
1	Brown	棕
Conn.	Wire Color	
Pin Out		

UNIT:mm	
TOLERANCE	±0.5 mm

TITLE	M8 Conn Cable Screw 3P F Conn F Pin		
SCALE	Free	SHEET	1 OF 1
REV.	C	SIZE	A4
		$\textcircled{C}$	:Inspection Item

**Amphenol LTW**  
 安費諾亮泰企業股份有限公司

ITEM NO	DRAWN BY	DATE
DWG NO	CHECKED BY	DATE
CUSTOMER	APPROVED BY	DATE
	Ruru	2016/02/01
8P-03BFFM-SL7AXX	Rita	2016/02/01
ALTW	Lisa	2016/02/01

THIS DOCUMENT IS SUBJECT TO CHANGE WITHOUT NOTICE. IT IS CONFIDENTIAL AND A PROPERTY OF Amphenol LTW. DISCLOSURE TO THIRD PARTY HAS TO BE AUTHORIZED BY Amphenol LTW.