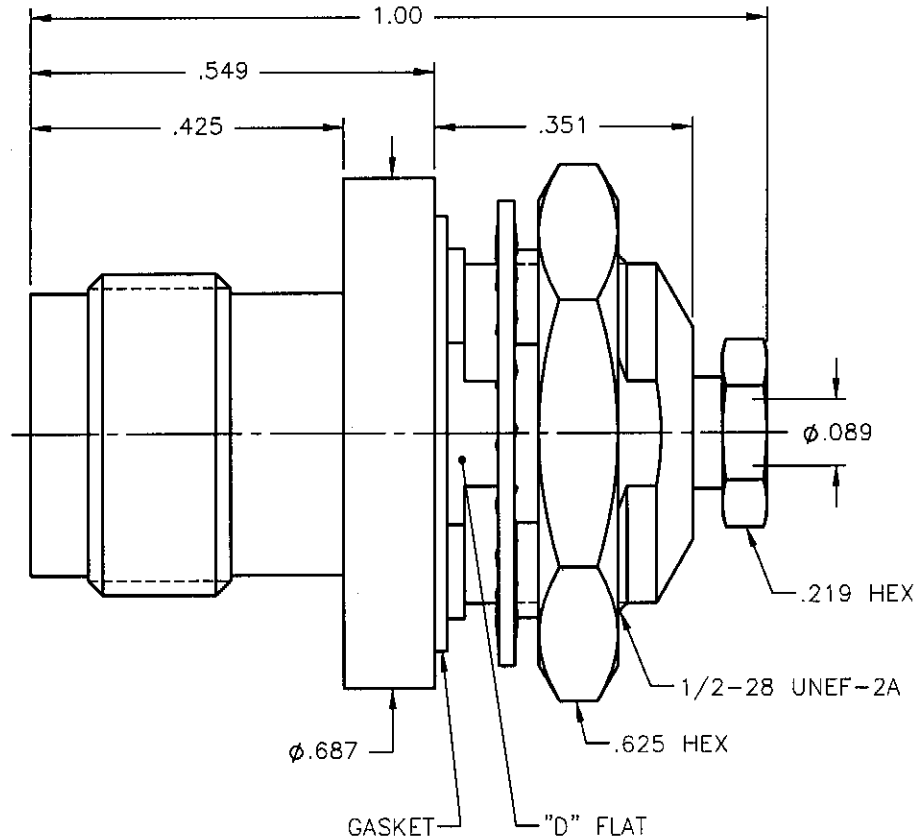


REVISIONS			
REV.	DESCRIPTION	DATE	APPROVED
A	INITIAL RELEASE	06/18/09	A.D.M.



NOTES:

MATERIALS:

1. INSULATORS = VIRGIN WHITE TEFLON PER ASTM D1710, GRADE 1, TYPE I, CLASS "B".
2. CONTACT & FERRULE = BERYLLIUM COPPER PER ASTM B196, ALLOY C17300, TEMPER TD04.
3. LOCKWASHER = PHOSPHOR BRONZE PER ASTM B139, COPPER ALLOY C53400, TEMPER H04.
4. GASKET = SILICONE RUBBER 45-55 DUROMETER DOW CORNING SILASTIC 250.
5. ALL OTHER METAL PARTS = BRASS PER ASTM B16, ALLOY C36000, TEMPER H02.

FINISHES:

1. CONTACT = GOLD PLATE PER MIL-G-45204, TYPE II, CLASS 1, GRADE C, OVER .00010 TO .00020 STRESS FREE SULFAMATE NICKEL PER QQ-N-290.
2. ALL OTHER METAL PARTS = NICKEL PLATE PER QQ-N-290, CLASS 1, GRADE G, EXCEPT .0001 TO .0002 THICK OVER .00005 TO .0001 THICK COPPER PER MIL-C-14550.

Property of Radiall Incorporated
 This document cannot be reproduced or
 communicated to a third party without prior
 written permission of RADIALL Incorporated.

UNLESS OTHERWISE SPECIFIED DIMENSIONS ARE IN INCHES TOLERANCES ON	DWN:	DATE
	A.D.M.	06/18/09

DECIMAL	ANGLE	CHKD:	DATE
		D.N.	06/18/09

		APVD:	DATE
		J.M.	06/18/09

REFERENCE:	MATERIALS & FINISHES:
ORIGINATED: A.D.M. DATE: 06/18/09	SEE NOTES

AEP APPLIED ENGINEERING PRODUCTS
 RADIALL company
 104 John W. Murphy Dr.
 New Haven, CT 06513

TNC STRAIGHT JACK WATERTIGHT
 BULKHEAD FRONT MOUNT CLAMP
 TYPE FOR RG-178 & SIMILAR CABLES

SIZE	FSCM NO.	DWG NO.	REV
A	19505	6002-7051-002	A
SCALE 4:1		THIRD ANGLE PROJECTION	SHEET 1 OF 1

6002-7051-002