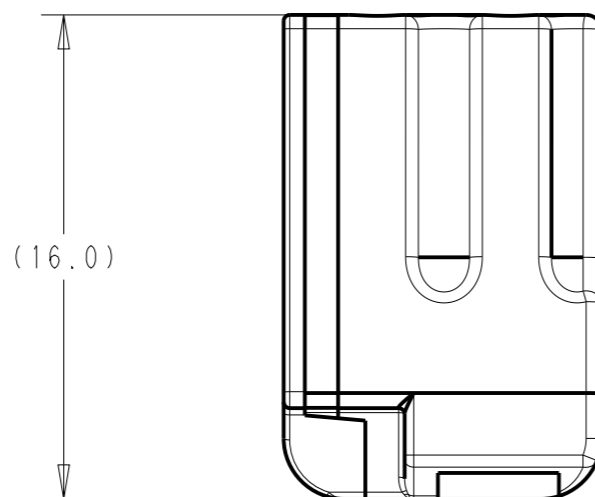
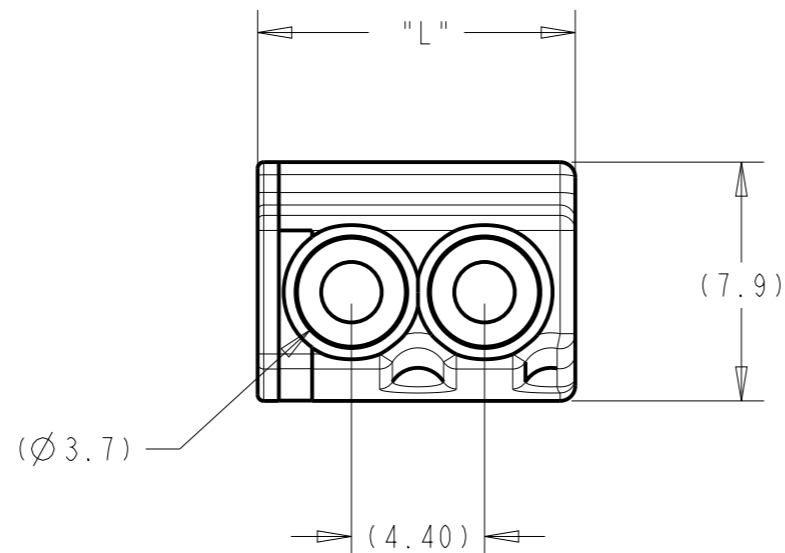
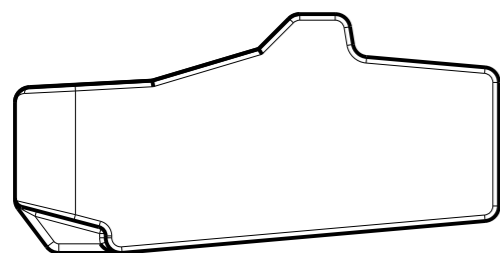
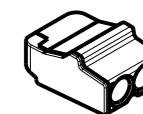


P	LTR	DESCRIPTION	DATE	DWN	APVD
	A	Drawing creation	29MAR2021		



NOTES :

- 1- HOUSING MATERIAL : POLYCARBONATE
- 2- HOUSING COLOR : SEE BELLOW
- 3- CONTACT MATERIAL :
 - TERMINAL : TIN-PLATED COPPER ALLOY
 - SPING : STEEL
- 4- FOR ADDITIONNAL INFORMATION REFER TO THE RELEVANT PRODUCT AND APPLICATION SPECIFICATIONS LISTED BELOW



SCALE 1:1

Part No	Nb of connexions	L (mm)	Color
1SET211001R0000	2	10.5	Transparent / Red
1SET211002R0000	3	14.9	Transparent / Orange
1SET211003R0000	4	19.3	Transparent / Yellow
1SET211004R0000	5	23.7	Transparent / Black
1SET211005R0000	6	28.1	Transparent / Purple

THIS DRAWING IS A CONTROLLED DOCUMENT 25 JUN 21 09:41:38 AM Deligny, Charlotte

DIMENSIONS: mm		TOLERANCES UNLESS OTHERWISE SPECIFIED:		CHK		APVD		PRODUCT SPEC		NAME PUSH-GRIP	
		0 PLC ±-	1 PLC ±0.1	APVD		PRODUCT SPEC		-		NAME PUSH-GRIP	
		2 PLC ±0.01	3 PLC ±0.005	PRODUCT SPEC		-		APPLICATION SPEC		-	
		4 PLC ±0.0001	ANGLES ±-	APPLICATION SPEC		-		WEIGHT		-	
MATERIAL		FINISH		WEIGHT		-		SIZE		A3	
-		-		-		-		CAGE CODE		00779	
-		-		-		-		DRAWING NO		G=1SNP300186-0000	
-		-		-		-		RESTRICTED TO		-	
-		-		-		-		CUSTOMER DRAWING; RESTRICTED CUSTOMER		SCALE 4:1	
-		-		-		-		SHEET		1 OF 2	
-		-		-		-		REV		A3	

© 2021 TE Connectivity. All Rights Reserved.

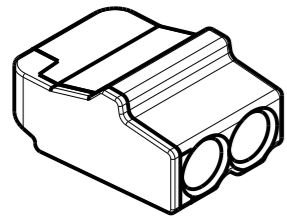
REVISIONS

P	LTR	DESCRIPTION	DATE	DWN	APVD

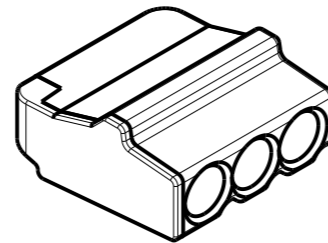
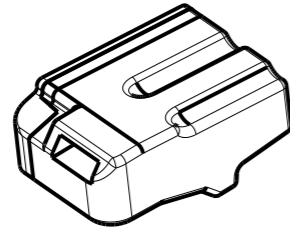
1SET211001R0000

1SET211002R0000

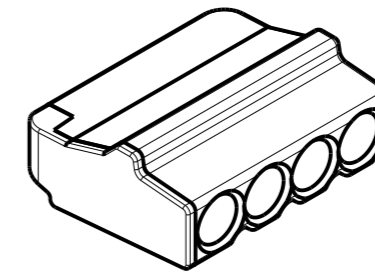
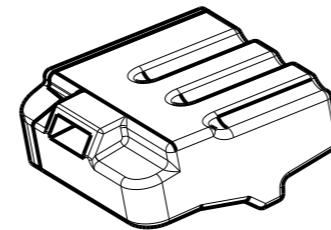
1SET211003R0000



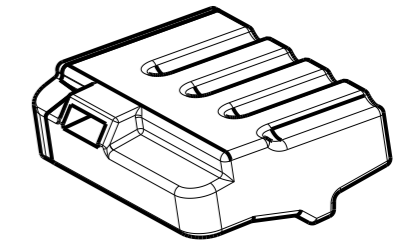
SCALE 2:1



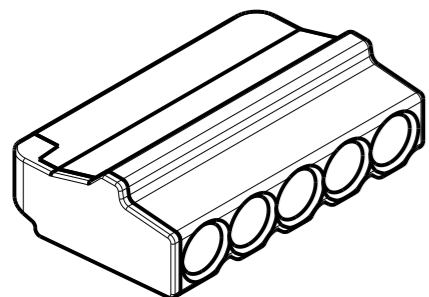
SCALE 2:1



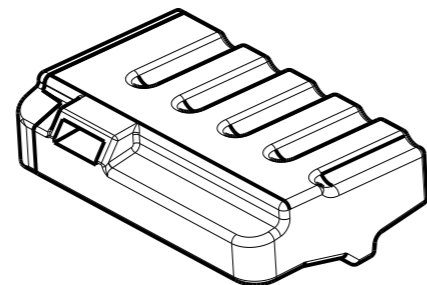
SCALE 2:1



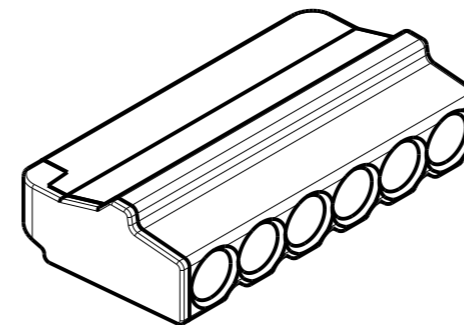
1SET211004R0000



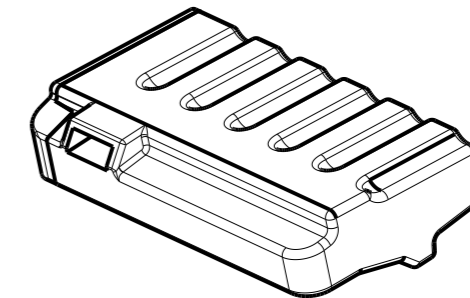
SCALE 2:1



1SET211005R0000



SCALE 2:1



THIS DRAWING IS A CONTROLLED DOCUMENT 25 JUN 21 09:41:38 AM Deligny, Charlotte

DIMENSIONS: mm		TOLERANCES UNLESS OTHERWISE SPECIFIED:		CHK	
		0 PLC	±-	APVD	
		1 PLC	±0.1	PRODUCT SPEC	
		2 PLC	±0.01	-	
		3 PLC	±0.005	APPLICATION SPEC	
MATERIAL		FINISH		WEIGHT	
-		-		-	



NAME PUSH-GRIP				RESTRICTED TO	
SIZE	CAGE CODE	DRAWING NO	-		
A3	00779	1SNP300186-0000	-		
CUSTOMER DRAWING; RESTRICTED CUSTOMER			SCALE	SHEET	REV
			4:1	2 OF 2	A3