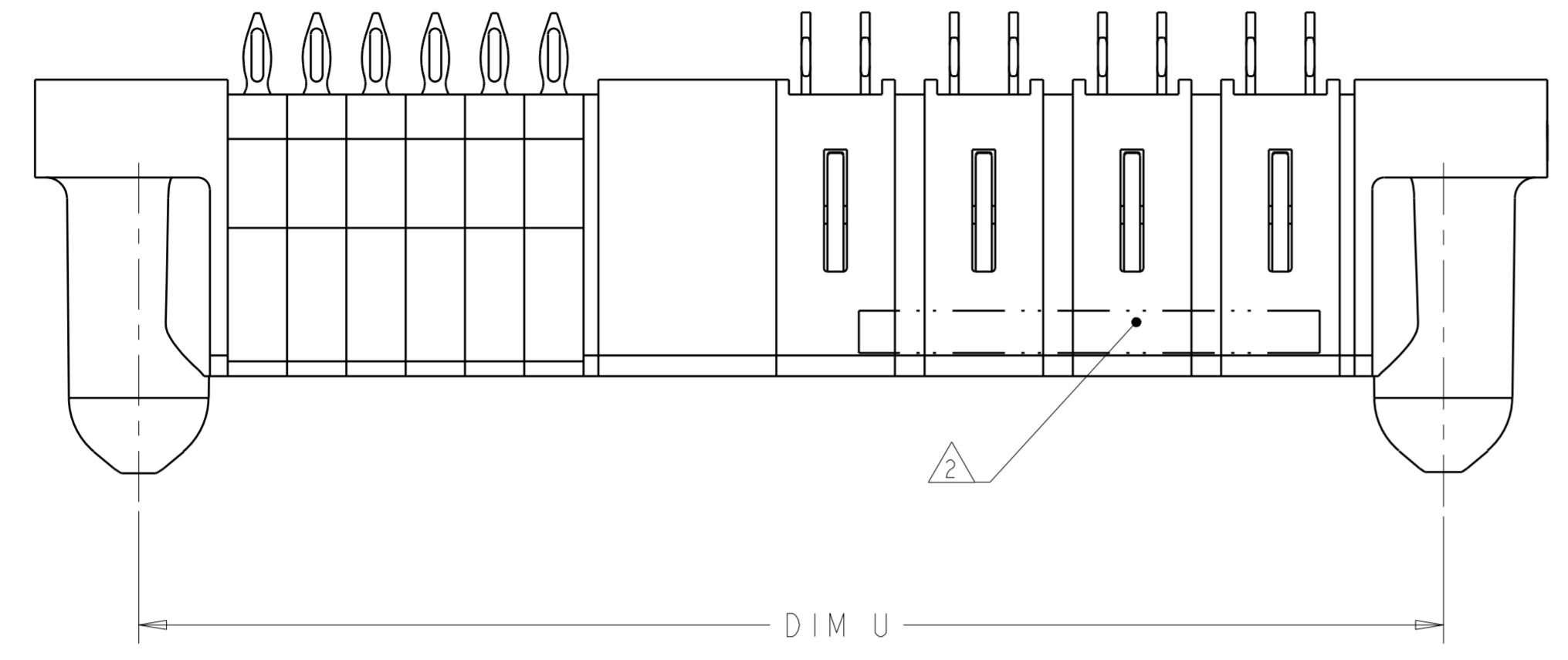
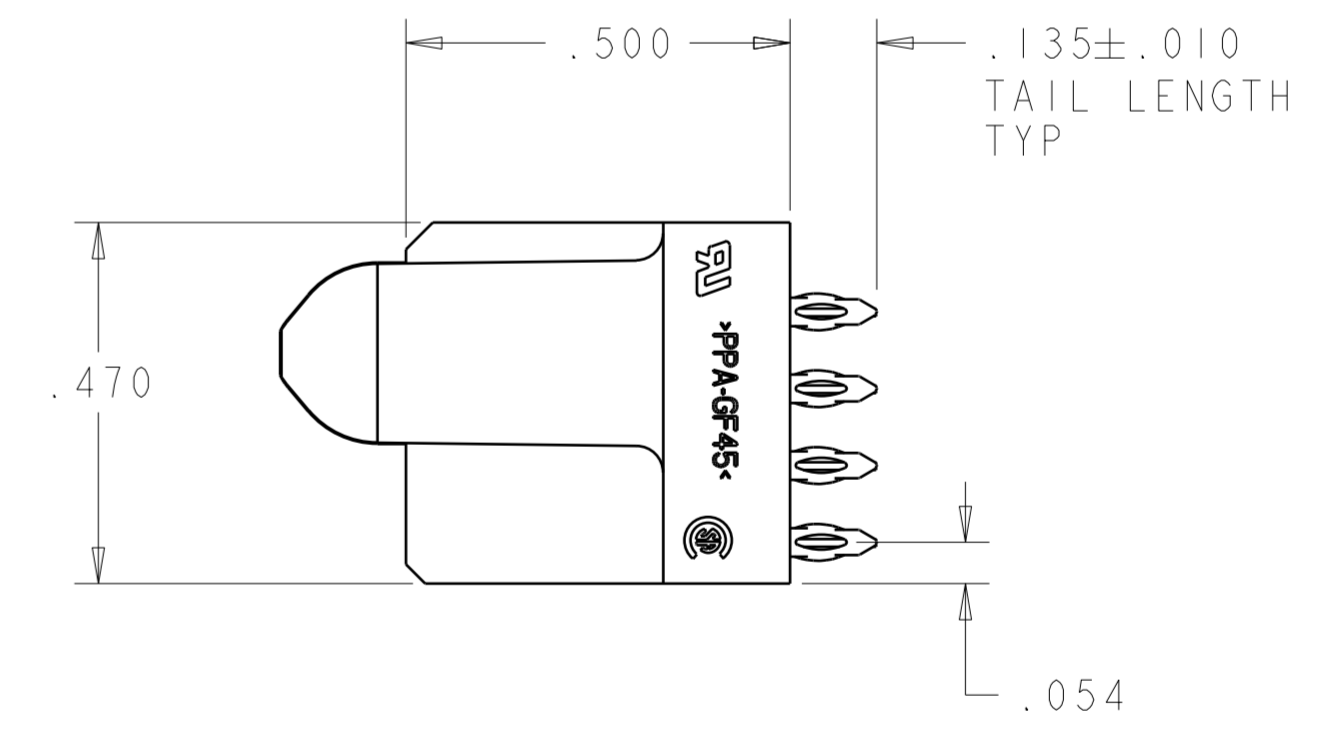
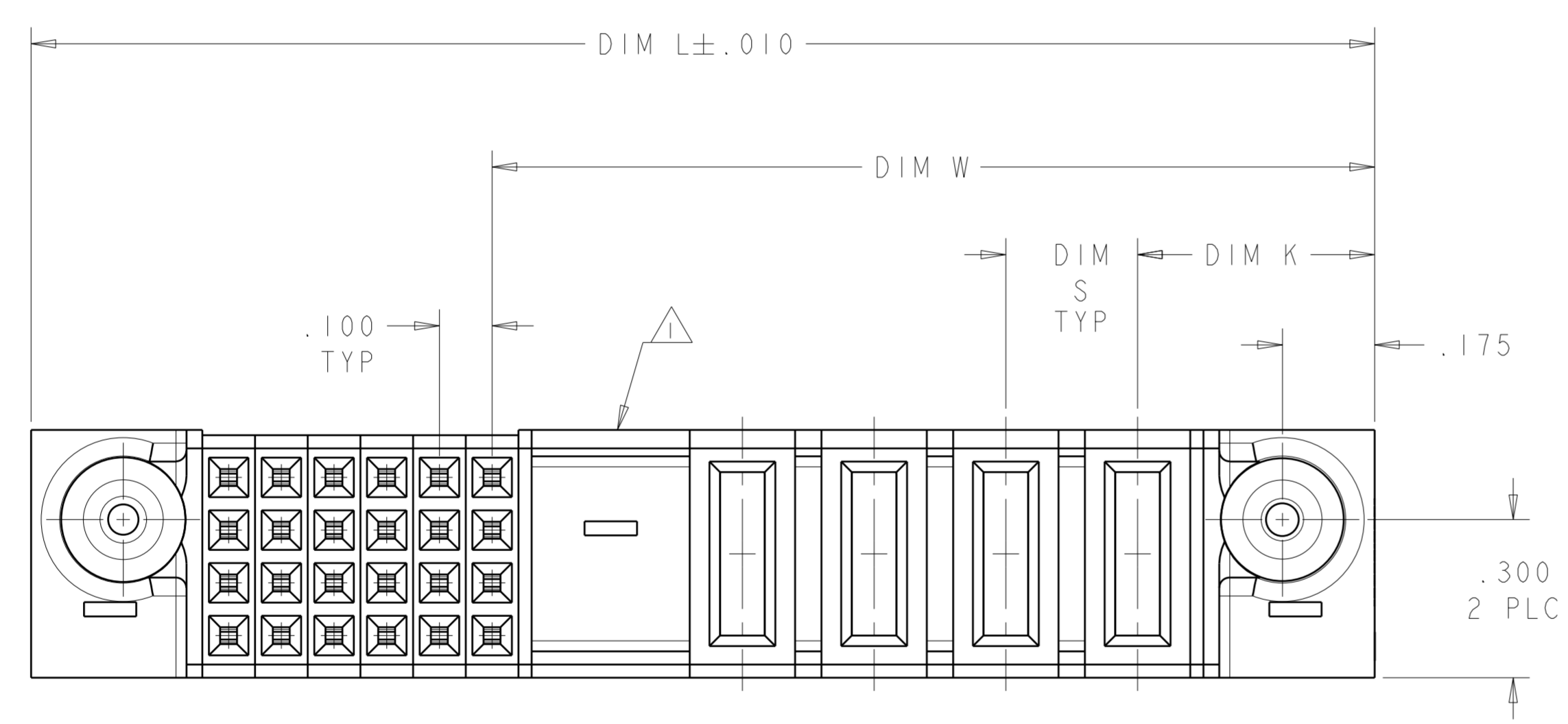


THIS DRAWING IS UNPUBLISHED. RELEASED FOR PUBLICATION 20  
 © COPYRIGHT 20 BY TYCO ELECTRONICS CORPORATION. ALL RIGHTS RESERVED.

LOC	DIST	REVISIONS			
		REV	DATE	BY	APPD
ES	00	A	10OCT2006	CZ	SY



- ① OPTIONAL CENTER MODULE, WITH Ø.150 THRU HOLE OR HOLD DOWN FEATURE
- ② "AMP", PART NUMBER, AND DATE CODE TO BE MARKED IN AREA SHOWN, FAR SIDE
- ③ MATERIAL: HOUSING - GLASS FILLED HIGH TEMP THERMO PLASTIC, UL94 V-0  
 SIGNAL CONTACT - HIGH CONDUCTIVITY COPPER ALLOY  
 POWER CONTACT - HIGH CONDUCTIVITY COPPER ALLOY
- ④ CONTACT PLATING: SIGNAL CONTACTS - .000050 MIN Ni UNDER ALL  
 .000030 MIN Au ON CONTACT AREA  
 .000100 MIN Sn AT PCB INTERFACE  
 POWER CONTACTS - .000050 MIN Ni UNDER ALL  
 .000030 MIN Au ON CONTACT AREA  
 .000100 MIN Sn AT PCB INTERFACE
- ⑤ MECHANICAL CONNECTOR KEEP OUT ZONE
- ⑥ DATUM AND BASIC DIMENSIONS ESTABLISHED BY CUSTOMER
- ⑦ PCB - ALL HOLE DIAMETERS ARE FINISHED HOLE SIZES
- ⑧ PCB - .0453 +/- .0010 DRILLED HOLES PLATED WITH .0003 MIN Sn  
 OVER .001 TO .003 PLATING TO ACHIEVE A .040 DIA HOLE
- ⑨ VARIABLE DIMENSIONS SHOWN ON VIEW ( SHEETS 2 AND 3).
- ⑩ POWER CONTACT AREA LUBRICATED WITH LUBRICANT.



U	S	W	L	K	DESCRIPTION	PART NUMBER
5.100	2.375	5.450	.450		8P + 112S	1892432-4
3.800	3.175	4.150	.450		12P + 28S	1892432-3
2.275	1.750	2.625	.450		5P + 24S	1892432-2
2.925	.250	2.375	3.275	.450	8P + 24S	1892432-1

DIMENSIONS:		TOLERANCES, UNLESS OTHERWISE SPECIFIED:		DWN CECILY.ZHOU		10OCT2006		Tyco Electronics incorporated Shanghai, P.R. 200233	
INCHES		0 PLC ± 1 PLC ± 2 PLC ±.01 3 PLC ±.005 4 PLC ±.0020		CHK S.ZHAO		10OCT2006		APVD S.YAO	
MATERIAL		FINISH		PRODUCT SPEC 108-1973		APPLICATION SPEC 114-13038		NAME VERTICAL RECEPTACLE ASSEMBLY WITH GUIDES MULTI-BEAM XL	
③		④		SIZE A1		CASE CODE 00779		DRAWING NO C-1892432	
CUSTOMER DRAWING		SCALE 4:1		SHEET 1		OF 3		REV A	



