
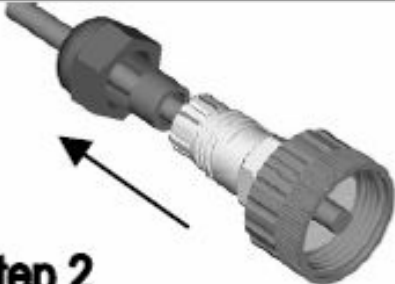
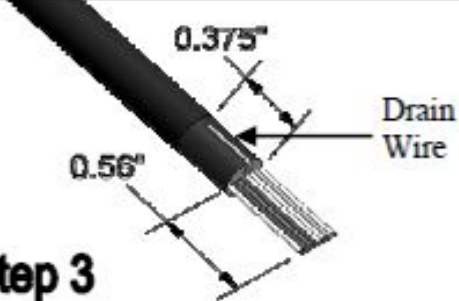
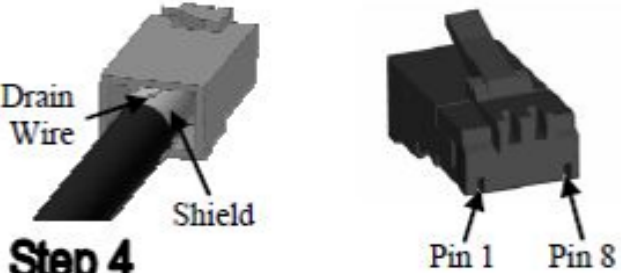
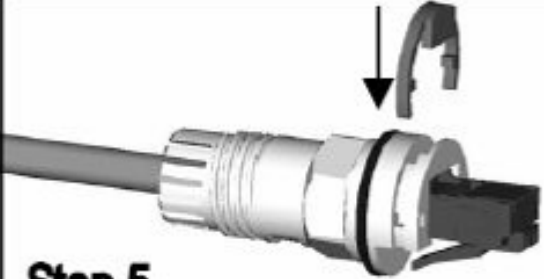
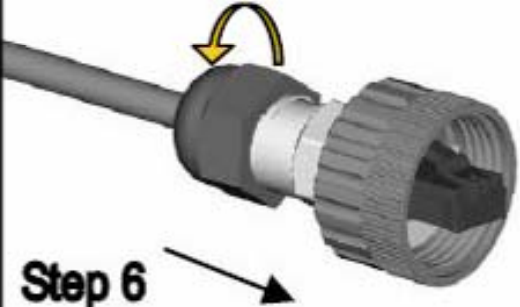
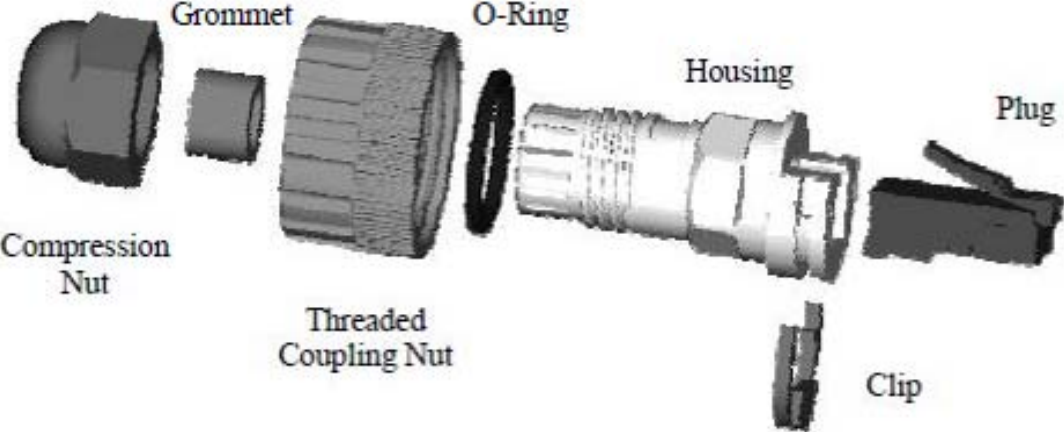


Assembly Instructions for RJ Lxxx Field Attachable Connectors ENSAM315 & ENQAM315

 <p>Step 1</p>	 <p>Step 2</p>	 <p>Step 3</p>																											
<p>Place o-ring and coupling nut onto housing.</p>	<p>Slide compression nut, grommet & housing on cable.</p>	<p>Strip & prepare conductors for crimping, trim to .56".</p>																											
 <p>Step 4</p>	<table border="1" style="width: 100%; border-collapse: collapse; text-align: center;"> <thead> <tr> <th>Pin #</th> <th>568A</th> <th>568B</th> </tr> </thead> <tbody> <tr> <td>1</td> <td>white/green</td> <td>white/orange</td> </tr> <tr> <td>2</td> <td>green</td> <td>orange</td> </tr> <tr> <td>3</td> <td>white/orange</td> <td>white/green</td> </tr> <tr> <td>4</td> <td>blue</td> <td>blue</td> </tr> <tr> <td>5</td> <td>white/blue</td> <td>white/blue</td> </tr> <tr> <td>6</td> <td>orange</td> <td>green</td> </tr> <tr> <td>7</td> <td>white/brown</td> <td>white/brown</td> </tr> <tr> <td>8</td> <td>brown</td> <td>brown</td> </tr> </tbody> </table>	Pin #	568A	568B	1	white/green	white/orange	2	green	orange	3	white/orange	white/green	4	blue	blue	5	white/blue	white/blue	6	orange	green	7	white/brown	white/brown	8	brown	brown	 <p>Step 5</p>
Pin #	568A	568B																											
1	white/green	white/orange																											
2	green	orange																											
3	white/orange	white/green																											
4	blue	blue																											
5	white/blue	white/blue																											
6	orange	green																											
7	white/brown	white/brown																											
8	brown	brown																											
<p>Arrange conductors, install plug and crimp.</p>	<table border="1" style="width: 100%; border-collapse: collapse; text-align: center;"> <thead> <tr> <th>Pin #</th> <th>568A</th> <th>568B</th> </tr> </thead> <tbody> <tr> <td>1</td> <td>white/green</td> <td>white/orange</td> </tr> <tr> <td>2</td> <td>green</td> <td>orange</td> </tr> <tr> <td>3</td> <td>white/orange</td> <td>white/green</td> </tr> <tr> <td>4</td> <td>blue</td> <td>blue</td> </tr> <tr> <td>5</td> <td>white/blue</td> <td>white/blue</td> </tr> <tr> <td>6</td> <td>orange</td> <td>green</td> </tr> <tr> <td>7</td> <td>white/brown</td> <td>white/brown</td> </tr> <tr> <td>8</td> <td>brown</td> <td>brown</td> </tr> </tbody> </table>	Pin #	568A	568B	1	white/green	white/orange	2	green	orange	3	white/orange	white/green	4	blue	blue	5	white/blue	white/blue	6	orange	green	7	white/brown	white/brown	8	brown	brown	<p>Slide crimped connector into place and snap clip into housing.</p>
Pin #	568A	568B																											
1	white/green	white/orange																											
2	green	orange																											
3	white/orange	white/green																											
4	blue	blue																											
5	white/blue	white/blue																											
6	orange	green																											
7	white/brown	white/brown																											
8	brown	brown																											
 <p>Step 6</p>																													
<p>Slide grommet into housing and tighten compression nut to 25 in/lbs.</p>																													