

NOTES: VALID UNLESS OTHERWISE SPECIFIED

1. GENERAL:

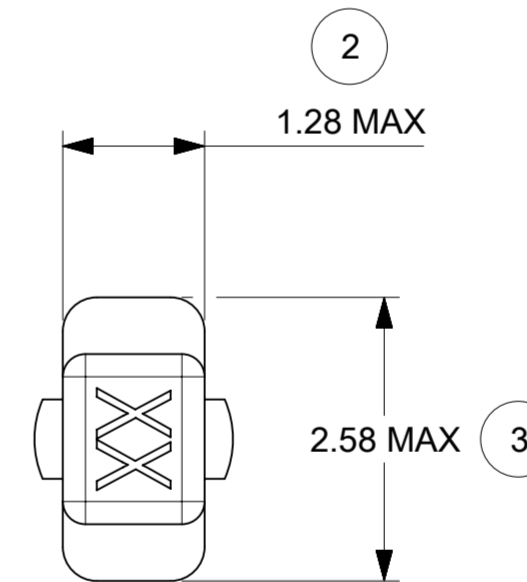
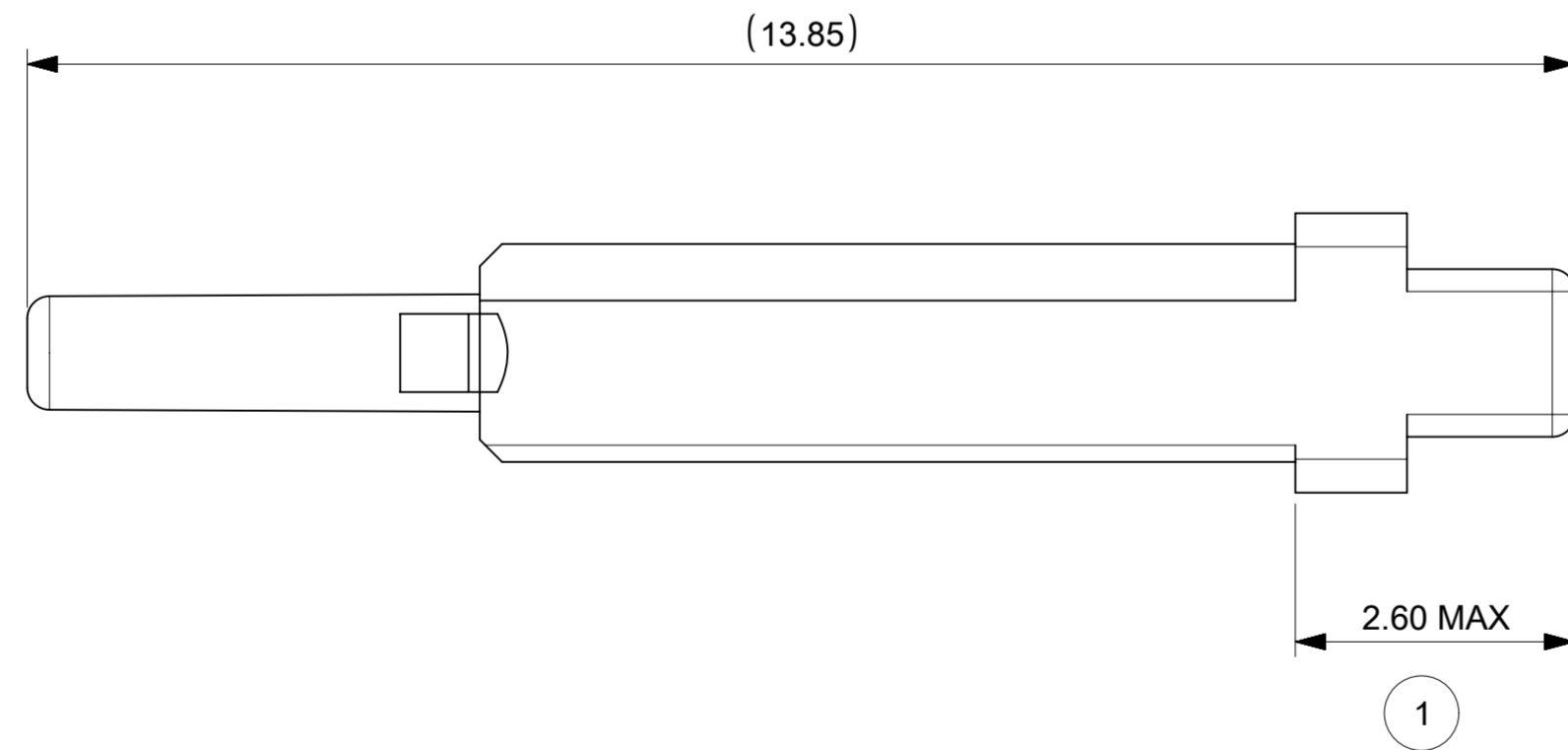
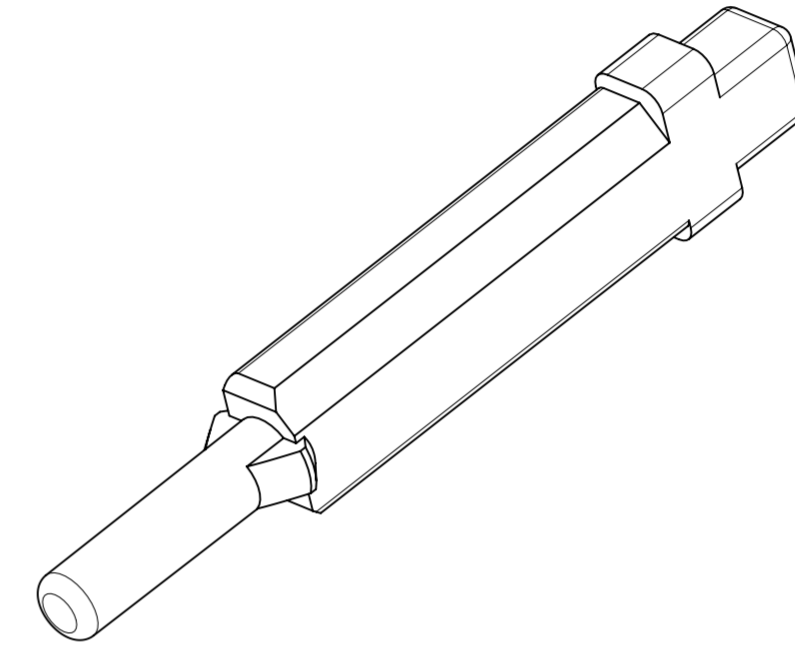
- a. APPLICATION SPECIFICATION SEE: AS-34894-0001
- b. PRODUCT SPECIFICATION SEE: 349670001 PS
- c. PACKAGING SPECIFICATION PER MOLEX DRAWING: 349670002-PK
- d. PARTS MUST BE IN COMPLIANCE TO MOLEX CHEMICAL SUBSTANCES FOR PRODUCTS AND PACKAGING SPECIFICATION: 2014040014
- e. DATA MUST BE SUBMITTED UNDER THE MOLEX PART NUMBER TO IMDS (COMPANY ID#13255)
- f. FLAMMABILITY REQUIREMENT: PER ISO3795 OR GM3191
 - 1. BURN RATE 100mm/MIN MAXIMUM
 - 2. MATERIAL MUST BE SELF EXTINGUISHING

2. DESIGN - MATERIALS: SEE BOM TABLE.

3. DESIGN - GEOMETRY:

- a. THE 3-D CAD DATA IS BASIC (WITHOUT TOLERANCE) AND THE MASTER FOR THIS PART WITH THE EXCEPTION OF UNDERLINED DIMENSIONS. DIMENSIONAL INFORMATION NOT SHOWN IN THIS DRAWING IS DEFINED BY THE DATA FILE AT ITS LATEST REVISION.
- b. GEOMETRIC DIMENSIONS AND TOLERANCES PER ASME Y14.5 - 2009
- c. EDGES AND UNDIMENSIONED DETAILS PER ISO13715
- d. CORNERS SHOWN AS SHARP TO BE R 0.2 MAX.
- e. CAVITY ID SHALL BE 0.15 MAX RECESS.

BILL OF MATERIALS (BOM)				
DESCRIPTION	PART NUMBER	COLOR	MATERIAL	STATUS
MINI50 SEALED, LIGHT GRAY	34967-0002	LIGHT GRAY	PA66 NYLON G.F. 35%	SALEABLE
MINI50 SEALED, STONE GRAY	34967-0003	STONE GRAY	SPS/PA66 G.F. 30%	PRE-PRODUCTION



SYMBOLS	THIS DRAWING CONTAINS INFORMATION THAT IS PROPRIETARY TO MOLEX ELECTRONIC TECHNOLOGIES, LLC AND SHOULD NOT BE USED WITHOUT WRITTEN PERMISSION										
	DIMENSION UNITS	SCALE	CURRENT REV DESC: PRODUCTION RELEASE							molex	
∇ = 0	mm	10:1	EC NO: 637544								
∇ = 0	GENERAL TOLERANCES (UNLESS SPECIFIED)		DRWN: MLI149 2020/05/13							PRODUCT CUSTOMER DRAWING	
∇ = 0	ANGULAR TOL \pm °		CHK'D: JCONDON 2020/05/28							DOCUMENT NUMBER	
∇ = 0	4 PLACES \pm		APPR: JCONDON 2020/05/28							DOC TYPE	
∇ = 0	3 PLACES \pm		INITIAL REVISION:							DOC PART	
∇ = 0	2 PLACES \pm		DRWN: MLI149 2019/05/23							REVISION	
∇ = 0	1 PLACE \pm		APPR: JCONDON 2019/06/14							349670002	
∇ = 0	0 PLACES \pm		DRAFT WHERE APPLICABLE MUST REMAIN WITHIN DIMENSIONS		THIRD ANGLE PROJECTION	DRAWING	SERIES	MATERIAL NUMBER	CUSTOMER	SHEET NUMBER	
∇ = 0						A2-SIZE	34967	SEE BOM		1 OF 1	